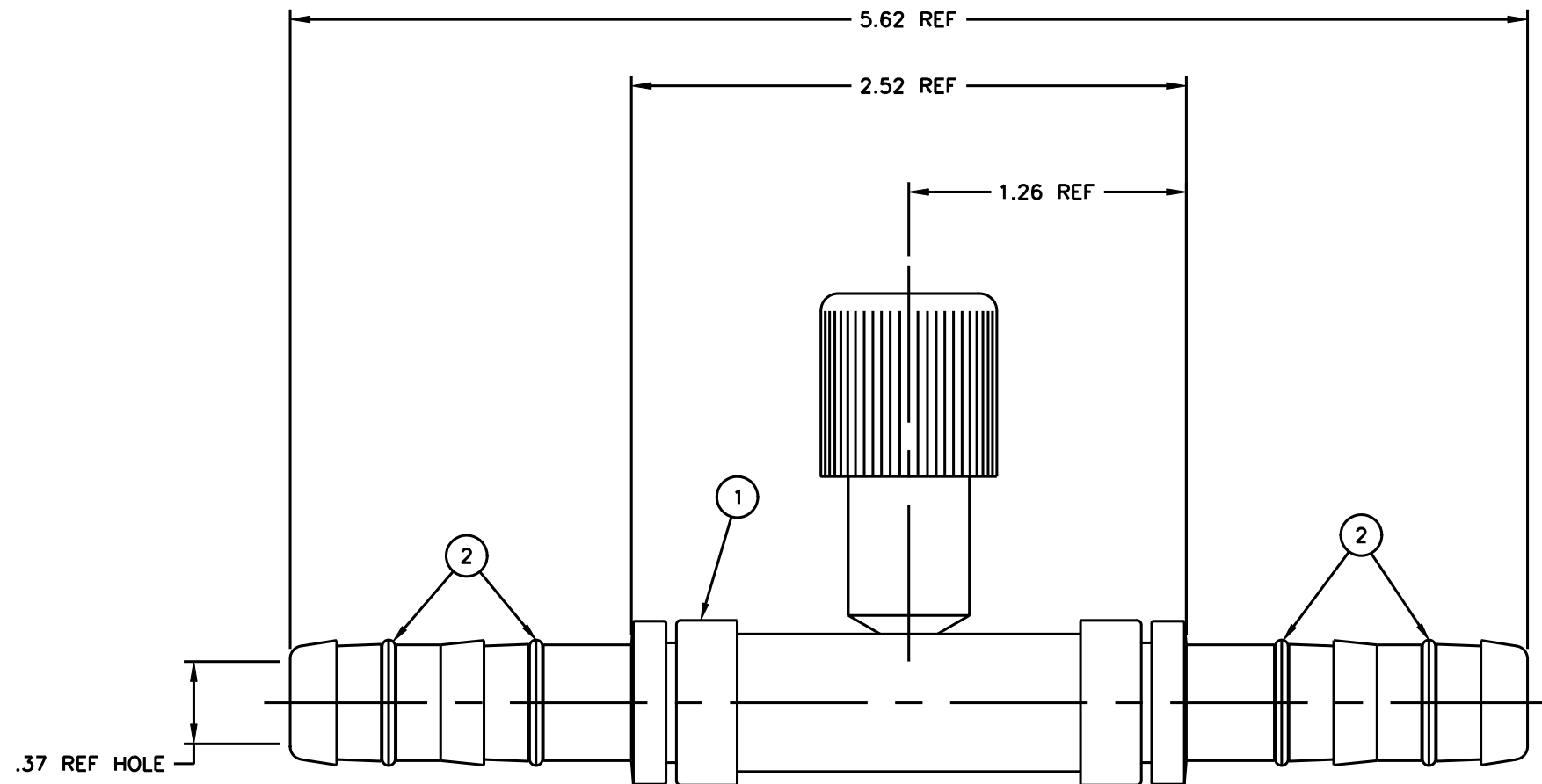


THE REPRODUCTION, DISTRIBUTION AND UTILIZATION OF THIS DOCUMENT, AS WELL AS THE COMMUNICATION OF ITS CONTENTS TO OTHERS WITHOUT EXPLICIT AUTHORIZATION IS PROHIBITED. OFFENDERS WILL BE HELD LIABLE FOR THE PAYMENT OF DAMAGES. ALL RIGHTS RESERVED IN THE EVENT OF THE GRANT OF A PATENT, UTILITY MODEL OR DESIGN. (PER ISO 15016)

REVISIONS			
REV	DESCRIPTION	DATE	APPROVED



INCH

REV. SH. REV. DWG. NO. FJ5995-1010S

FJ5995-1010S	FJ4995-1010S	1F40106-10		
AEROQUIP PART NUMBER	① NIPPLE ASSEMBLY	② O-RING (4-REQ'D)		
LIST OF MATERIALS				
ITEM NO.	MATERIAL	DRAWN	DRAWING TITLE	
1	STEEL	T. HARTFORD	FLUID CONVEYANCE DIVISION FITTING ASSEMBLY SPLICER WITH R134a CHARGE PORT, GH134 HOSE	
2	HNBR	J. BAHNSEN		
		J. GRAU	SIZE	DRAWING NUMBER
		RELEASE DATE	A2	FJ5995-1010S
		1999-09-09	SCALE	2/1
		EN-F19222	DIST	U
		DP-1256	CAGE CODE	01276
		THIRD ANGLE PROJECTION	SHEET NO	
		ITEM TYPE: DTZA		

1. PROCESS AS FOLLOWS:
 (a) LUBRICATE O-RINGS AND ASSEMBLE TO NIPPLE AS SHOWN.