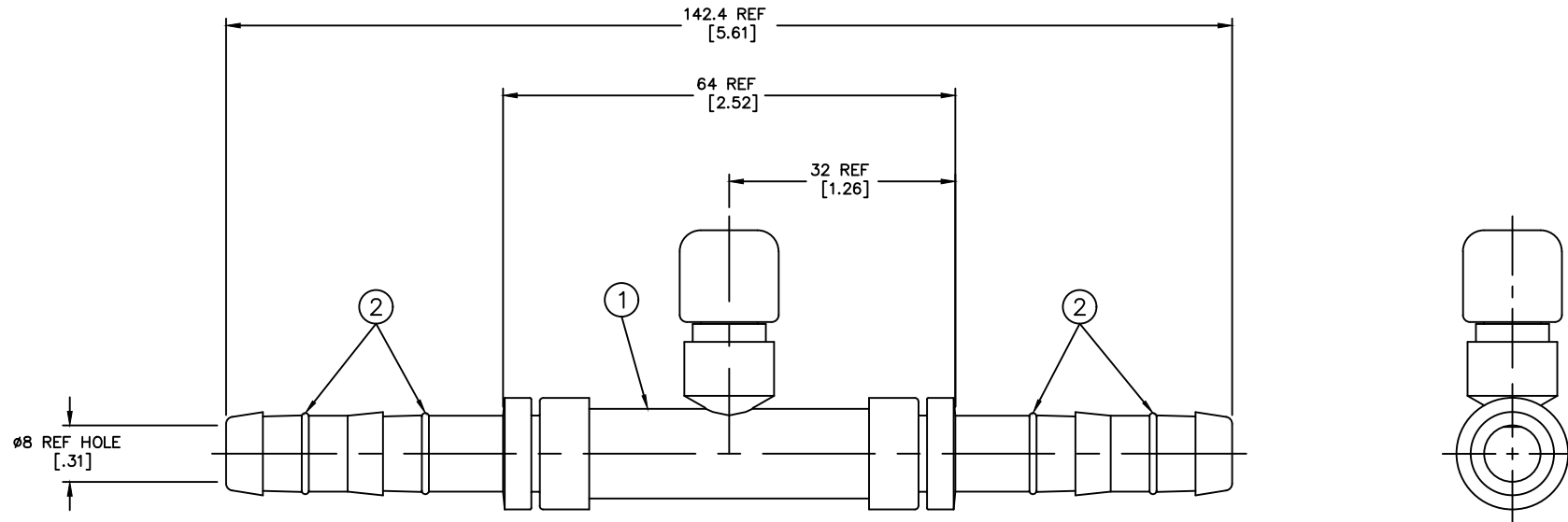


THE REPRODUCTION, DISTRIBUTION AND UTILIZATION OF THIS DOCUMENT AS WELL AS THE COMMUNICATION OF ITS CONTENTS TO OTHERS WITHOUT EXPLICIT AUTHORIZATION IS PROHIBITED. OFFENDERS WILL BE HELD LIABLE FOR THE PAYMENT OF DAMAGES. ALL RIGHT RESERVED IN THE EVENT OF THE GRANT OF A PATENT, UTILITY MODEL OR DESIGN. (PER ISO 10010)

REVISIONS			
REV	DESCRIPTION	DATE	APPROVED



METRIC

- 2. DIMENSIONS ARE IN MILLIMETERS [INCHES].
- 1. PROCESS AS FOLLOWS:
 - (a) LUBRICATE O'RINGS AND ASSEMBLE TO NIPPLES AS SHOWN.

FJ3427-0808S	FJ2427-0808S	1F40106-08		
AEROQUIP PART NUMBER	① NIPPLE ASSEMBLY	② O'RING (4 REQ'D)		
LIST OF MATERIALS				
ITEM NO.	MATERIAL	DRAWN	FLUID CONVEYANCE DIVISION	
1	STEEL	D. SNYDER		
2	HNBR	D. BAILEY		
		J. BAHNSEN		
		2001-05-29		
		EN-F22029		
		DP-1256	SIZE	DRAWING NUMBER
		THIRD ANGLE PROJECTION	A2	FJ3427-0808S
		ITEM TYPE:	SCALE 2/1	DIST U
			CAGE CODE 01276	SHEET

DWG. NO. FJ3427-0808S