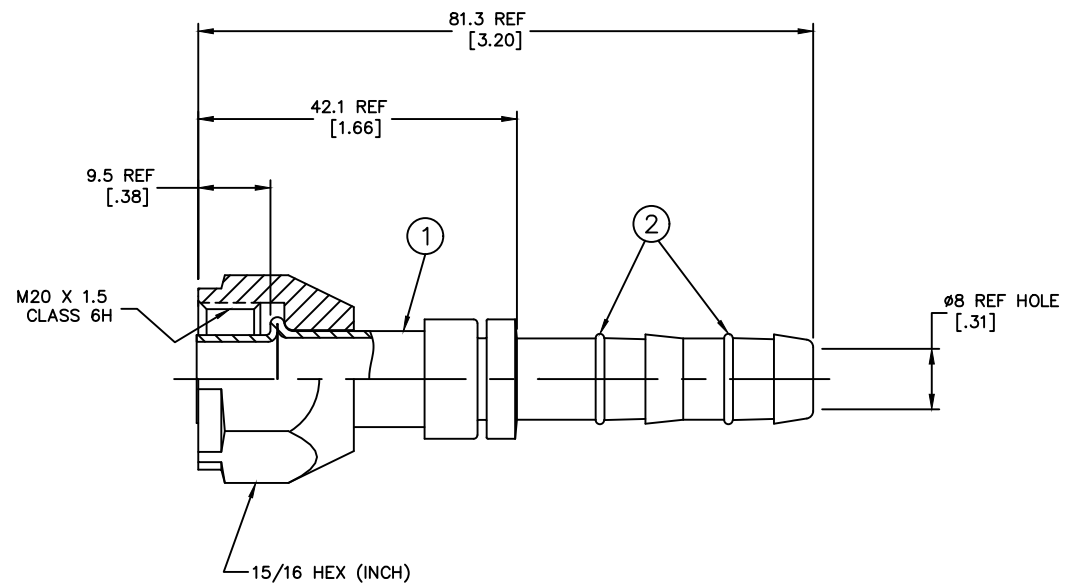


THE REPRODUCTION, DISTRIBUTION AND UTILIZATION OF THIS DOCUMENT AS WELL AS THE COMMUNICATION OF ITS CONTENTS TO OTHERS WITHOUT EXPLICIT AUTHORIZATION IS PROHIBITED. OFFENDERS WILL BE HELD LIABLE FOR THE PAYMENT OF DAMAGES. ALL RIGHT RESERVED IN THE EVENT OF THE GRANT OF A PATENT, UTILITY MODEL OR DESIGN. (PER ISO 10010)

REVISIONS			
REV	DESCRIPTION	DATE	APPROVED



METRIC

- 2. DIMENSIONS ARE IN MILLIMETERS [INCHES].
- 1. PROCESS AS FOLLOWS:
 - (a) LUBRICATE O-RINGS, AND ASSEMBLE ON NIPPLE AS SHOWN.

FJ3408-0808S	FJ2408-0808S	1F40106-08			
AEROQUIP PART NUMBER	① NIPPLE ASSEMBLY	② O-RING (2 REQUIRED)			
LIST OF MATERIALS					
ITEM NO.	MATERIAL	DRAWN D. SNYDER	FLUID CONVEYANCE DIVISION DRAWING TITLE FITTING ASSEMBLY FEMALE O-RING PILOT (LONG), GH134 HOSE SIZE A2 DRAWING NUMBER FJ3408-0808S SCALE 2/1 DIST U CAGE CODE 01276 SHEET		
1	STEEL	CHECKED D. BAILEY			
2	HNBR	APPROVED J. BAHNSEN			
		RELEASE DATE 2001-04-19			
		EN-F21415 DP-1256			
		THIRD ANGLE PROJECTION			
		ITEM TYPE:			

DWG. NO. FJ3408-0808S SH. REV.