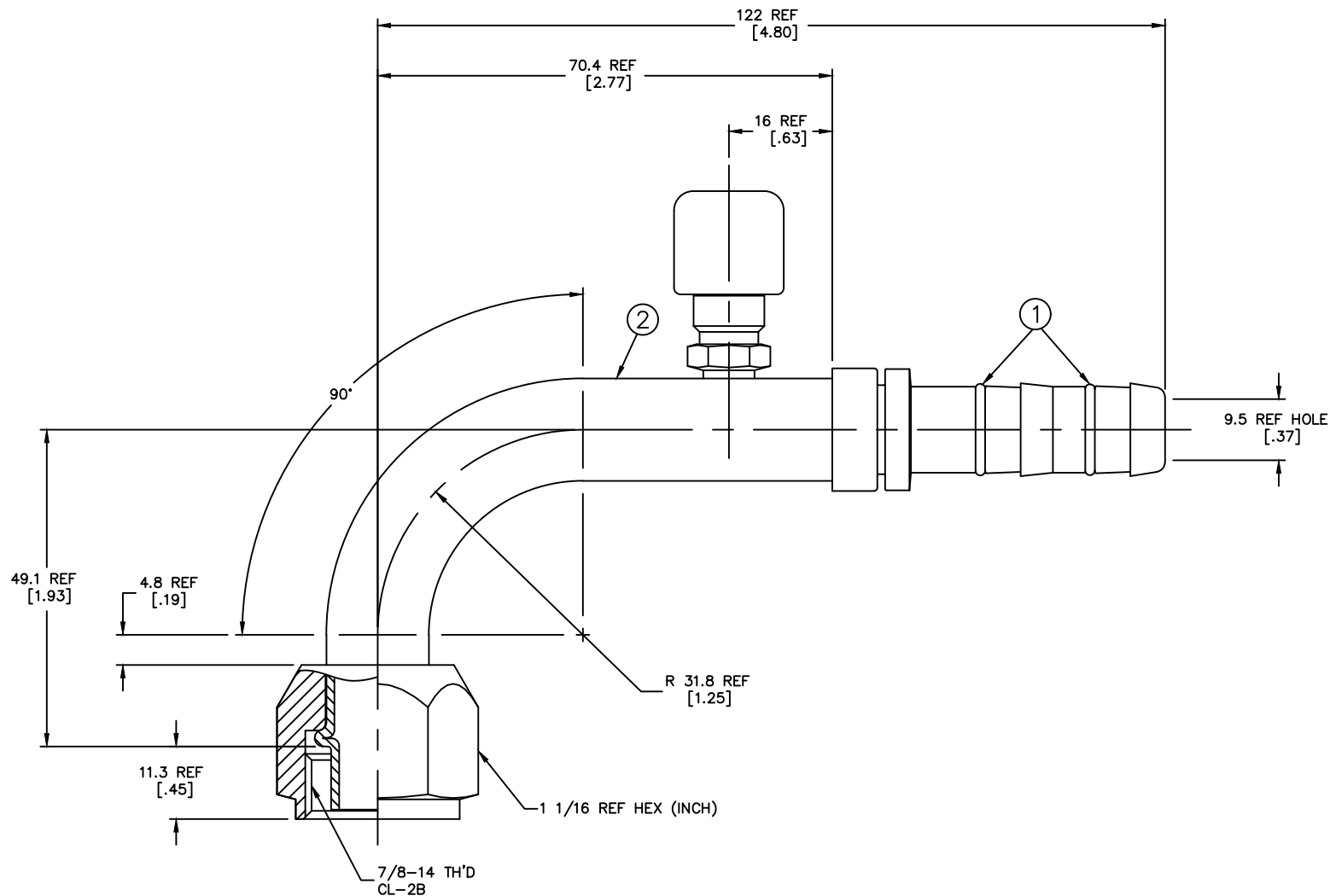


REVISIONS			
REV	DESCRIPTION	DATE	APPROVED



METRIC

- DIMENSIONS ARE IN MILLIMETERS [INCHES].
- LUBRICATE O-RINGS AND ASSEMBLE TO NIPPLE AS SHOWN.

FJ3289-02-1010S	1F40106-10	FJ2289-02-1010S			
AEROQUIP PART NUMBER	① O-RING (2 REQ'D)	② NIPPLE ASSEMBLY			
LIST OF MATERIALS					
ITEM NO.	MATERIAL	DRAWN S. BOHN	FLUID CONVEYANCE DIVISION DRAWING TITLE FITTING ASSEMBLY 90°, FEMALE O-RING PILOT (LONG), WITH SWITCH PORT, GH134 HOSE		
1	HNBR	CHECKED D. BAILEY			
2	STEEL	APPROVED K. LUDWIG			
		RELEASE DATE 2000-10-16			
		EN-F20748	SIZE	DRAWING NUMBER	REV
		DP-1256	A2	FJ3289-02-1010S	
		THIRD ANGLE PROJECTION	SCALE	DIST	CAGE CODE
		ITEM TYPED TSA	2:1	U	01276
					SHEET

EN

REV.

SH. FJ3289-02-1010S

DWG. NO.