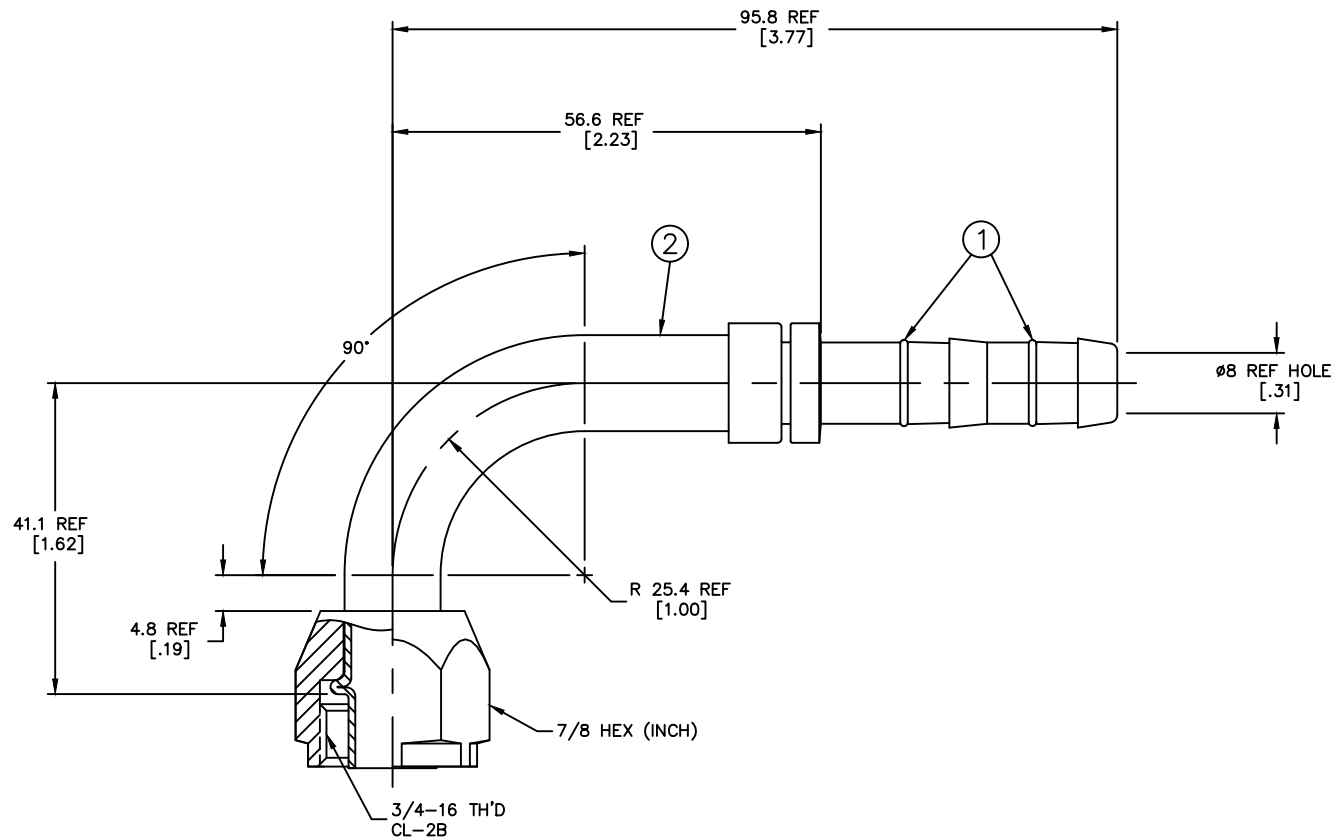


REVISIONS			
REV	DESCRIPTION	DATE	APPROVED



- 2. DIMENSIONS ARE IN MILLIMETERS [INCHES].
- 1. LUBRICATE O-RINGS AND ASSEMBLE TO NIPPLE AS SHOWN.

FJ3288-02-0808S	1F40106-08	FJ2288-02-0808S			
AEROQUIP PART NUMBER	① O-RING (2 REQ'D)	② NIPPLE ASSEMBLY			
LIST OF MATERIALS					
ITEM NO.	MATERIAL	DRAWN S. BOHN	FLUID CONVEYANCE DIVISION DRAWING TITLE <b>FITTING ASSEMBLY</b> 90°, FEMALE O-RING PILOT (LONG) GH134 HOSE		
1	HNBR	CHECKED W.R. HYDE			
2	STEEL	APPROVED W.R. HYDE			
		RELEASE DATE 2000-12-08			
		EN-F20870 DP-1256	SIZE A2	DRAWING NUMBER FJ3288-02-0808S	REV
		THIRD ANGLE PROJECTION	SCALE 2:1	DIST U	CAGE CODE 01276
		ITEM TYPE: TSA	SHEET		

EN

REV.  
SH.

DWG. NO. FJ3288-02-0808S