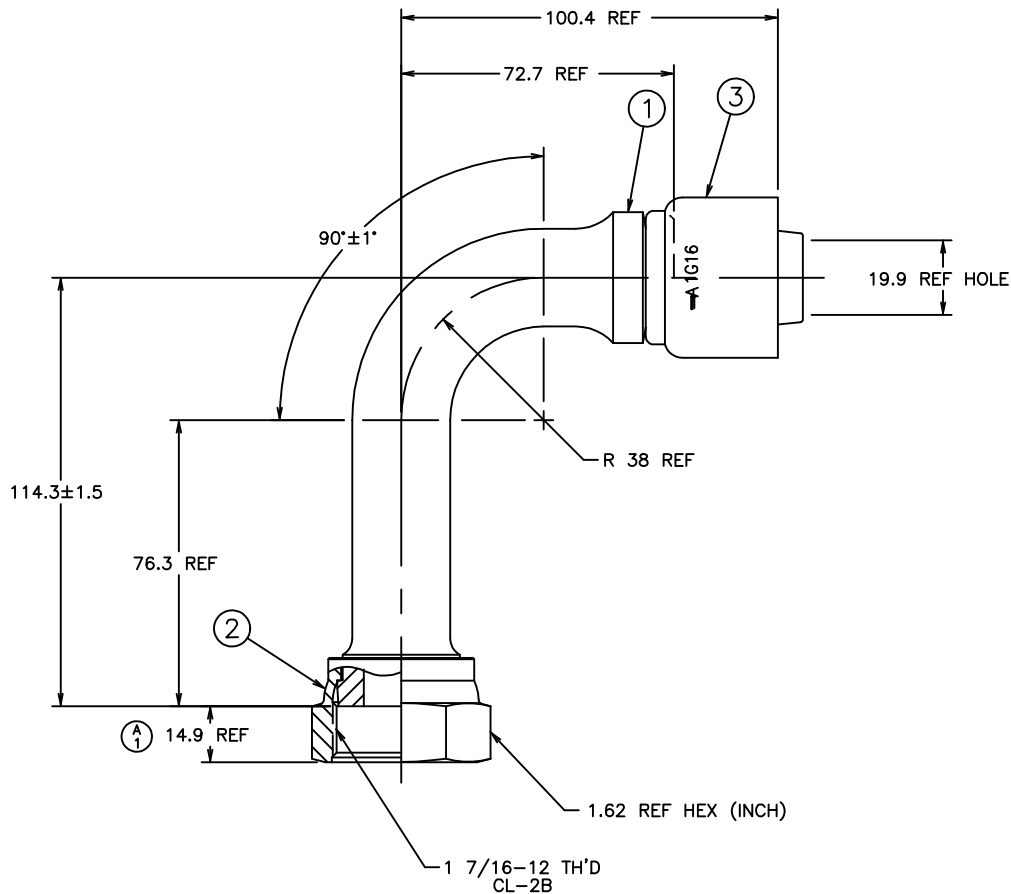


THE REPRODUCTION, DISTRIBUTION AND UTILIZATION OF THIS DOCUMENT AS WELL AS THE COMMUNICATION OF ITS CONTENTS TO OTHER WITHOUT EXPLICIT AUTHORIZATION IS PROHIBITED. OFFENDERS WILL BE HELD LIABLE FOR THE PAYMENT OF DAMAGES. ALL RIGHT RESERVED IN THE EVENT OF THE GRANT OF A PATENT, UTILITY MODEL OR DESIGN. (PER ISO 10016)

REVISIONS			
REV	DESCRIPTION	DATE	APPROVED
A	REDRAWN - SUPERSEDES 1GA_FRC_SHEET 2 REV. NONE FOR 1GA16FRC16 (1) WAS 14.8 REF	12-13-95	EN-F16103 DP-24900



114.3±1.5	4.50±.06
100.4	3.95
76.3	3.00
72.7	2.86
38	1.50
19.9	.78
14.9	.59
MM	INCH

CONVERSION

METRIC

2. 1SA16FRC16 NIPPLE ASSEMBLY MAY BE SUBSTITUTED FOR ITEMS #1 AND #2.
1. PROCESS AS FOLLOWS:
- BEND TO DIMENSIONS SHOWN.
 - ZINC PLATE PER ACES 2751.
 - CRIMP NUT PER ACES 2409P1.
 - ASSEMBLE SOCKET PER ACES 2813.

ITEM NO.	MATERIAL	QTY	DESCRIPTION
1	STEEL	1	NIPPLE
2	STEEL	1	NUT
3	STEEL	1	SOCKET

1GA16FRC16	1F40056-1616AB	FC1473-16S	1G16
AEROQUIP PART NUMBER	① NIPPLE	② NUT	③ SOCKET

DRAWING TITLE		SCALE	DIST	CAGE CODE	SHEET NO
FITTING ASSEMBLY 90°, ORS FEMALE SWIVEL, OTC		1/1	U	01276	

DRAWN R.D.GARRETT	<i>Dauphin</i> FLUID CONVEYANCE DIVISION
CHECKED M.MOLINA	
APPROVED R.D.GARRETT	DRAWING NUMBER 1GA16FRC16
RELEASE DATE 12-18-95	REV A
EN-F16103 DP-24900	SIZE C
THIRD ANGLE PROJECTION	