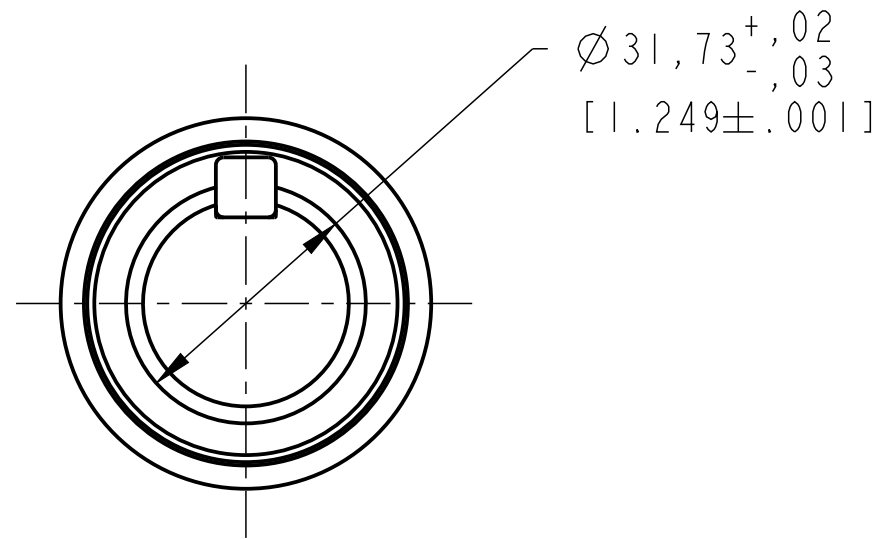
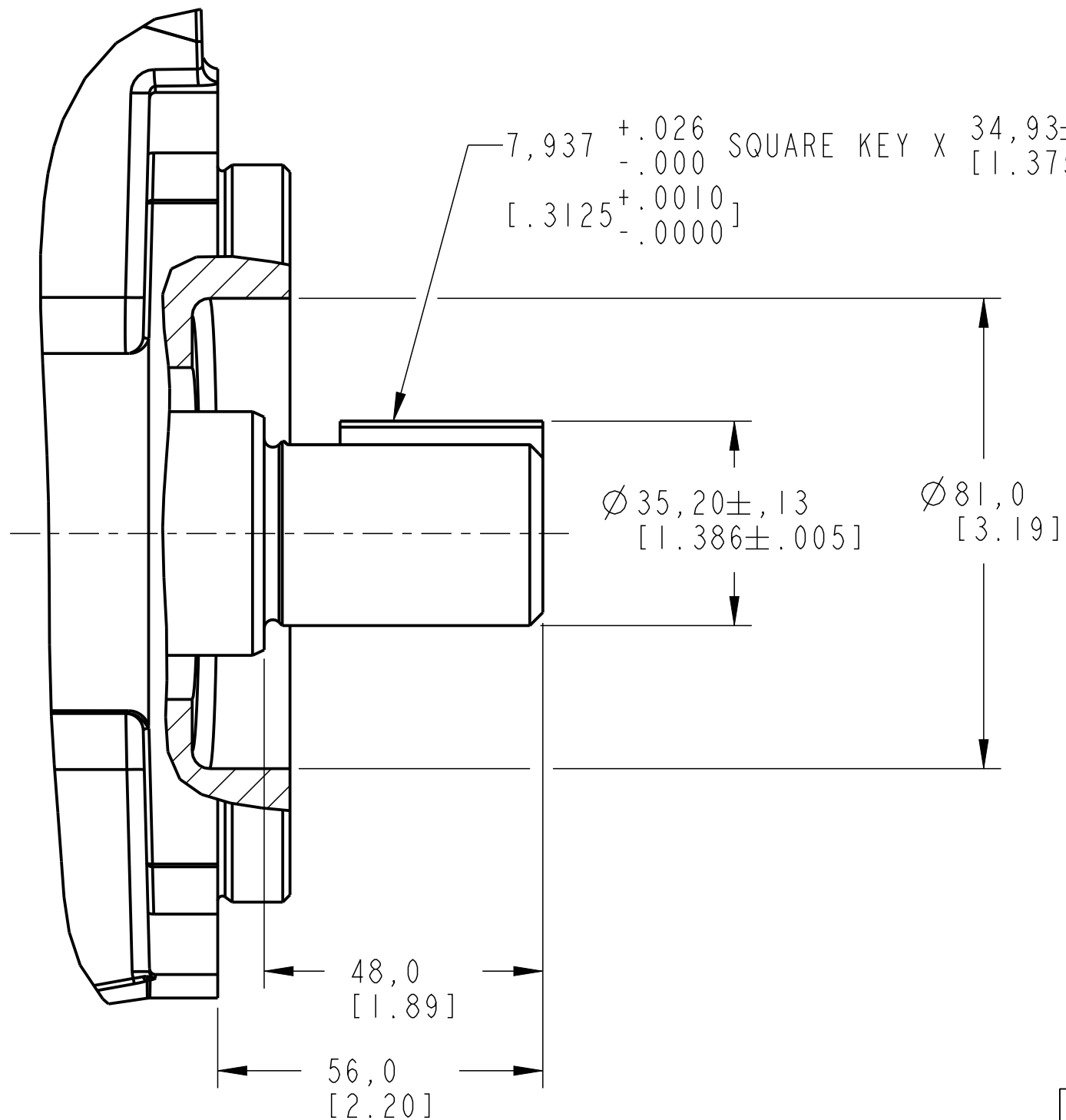


REV	DESCRIPTION	BY	CHK	DATE	CO
A	ENGINEERING RELEASED	JLW	JGS	09/21/00	36517
B	UPDATED DRAWING TEMPLATE AS PER DANFOSS STANDARDS	PRM	JAI	02/06/23	CO-0227891



NOTE

- 1 ALL DIMENSIONS ARE NOMINAL UNLESS OTHERWISE SPECIFIED
- 2 MAX INPUT TORQUE NOT TO EXCEED 450 Nm (3980 IN LBS.)
- 3 STRAIGHT KEYED SHAFT OPTION COMPATIBLE WITH SAE-J744 SPECIFICATION

DRAWN BY/DATE	JLW	05/16/00
CHECKED BY/DATE	JGS	11/02/00
ENGRG BY/DATE	JJ	02/08/01
MFG BY/DATE	---	---

PRODUCT FIRST USED ON : PVM PUMP		CHANGE ID		REV ITEMS	STATUS/DATE (DD/MM/YY)	RAW MATERIAL SPECIFICATION
UNLESS OTHERWISE SPECIFIED <input checked="" type="checkbox"/> LEGACY VICKERS ITEM INTERPRET PER VS 1-3-3-1		CO-0227891		B	ENGG RELEASE 06/02/23	----
METRIC <input checked="" type="checkbox"/> INCHES <input type="checkbox"/>	LAB OFFICE	UNSPECIFIED RADII ARE:		THE REPRODUCTION, DISTRIBUTION AND UTILIZATION OF THIS DOCUMENT AS WELL AS THE COMMUNICATION OF ITS CONTENTS TO OTHER WITHOUT EXPLICIT AUTHORIZATION IS PROHIBITED. OFFENDERS WILL BE HELD LIABLE FOR THE PAYMENT OF DAMAGES. ALL RIGHT RESERVED IN THE EVENT OF THE GRANT OF A PATENT, UTILITY MODEL OR DESIGN. (PER ISO 16016)		
TOLERANCES	N/A	UNSPECIFIED DRAFT ANGLES		DRAWING INTERPRETATION PER 504H0074		
.X	± 0.8	----		DWG NO A-2168-001 REV B		
.XX	± 0.25	----		DRAWING TITLE		
.XXX	± ---	----		SHAFT INSTALLATION		
SURFACE ROUGHNESS		NO BURRS		SCALE 1/1		PART NO A-2168-001
B SIZE		B SIZE		SHEET 1 OF 1		

