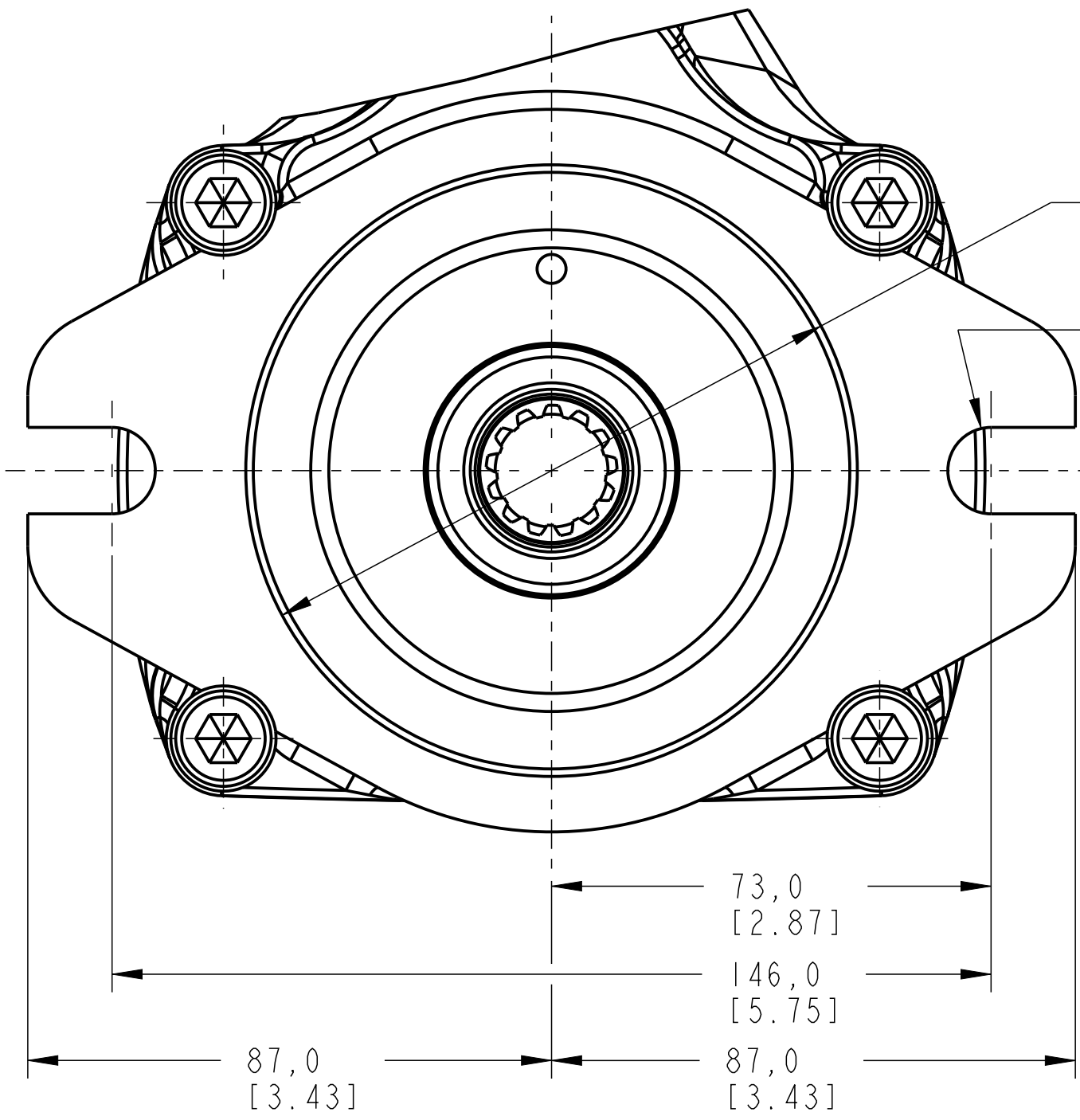
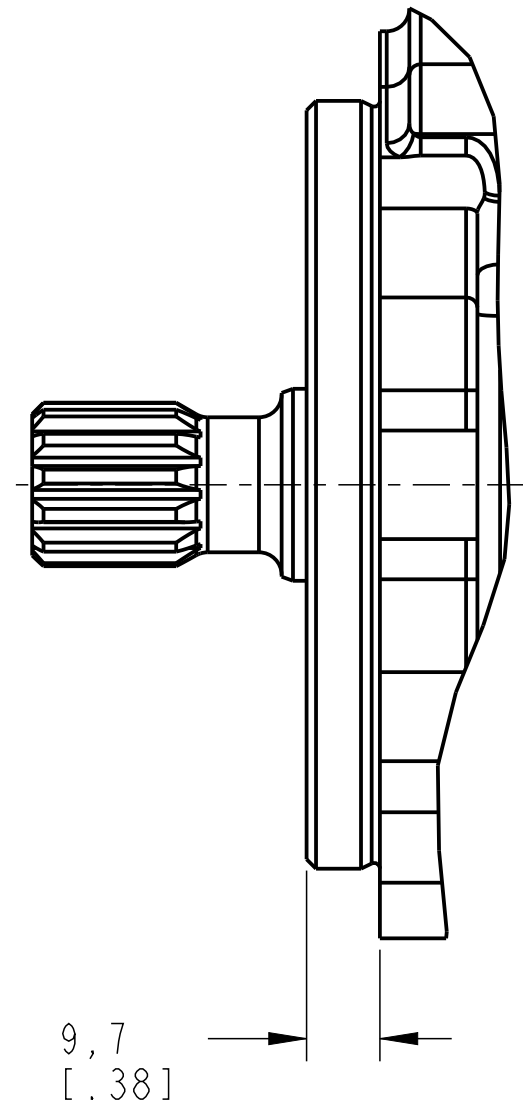


REV	DESCRIPTION	BY	CHK	DATE	CO
A	ENGINEERING RELEASE	JLW	JGS	09/21/00	36517
B	UPDATED DRAWING TEMPLATE AS PER DANFOSS STANDARDS	TTM	PAK	09/20/22	PAIKHKVYU0_11



$\varnothing 101,58^{+,02}_{-,03}$
[3.999±.001]

2X $\varnothing 14,36\pm,19$
[.565±.007]



9,7
[.38]

DRAWN BY/DATE	JLW	11/17/00
CHECKED BY/DATE	JGS	12/21/00
ENGRG BY/DATE	JI	02/08/01
MFG BY/DATE	----	----

PRODUCT FIRST USED ON : PVM PUMP		CHANGE ID		REV ITEMS	STATUS/DATE (DD/MM/YY)	RAW MATERIAL SPECIFICATION
UNLESS OTHERWISE SPECIFIED <input checked="" type="checkbox"/> LEGACY VICKERS ITEM INTERPRET PER VS 1-3-3-1		PAIKHKVYU0_11		B	ENG RELEASE 09/20/22	----
METRIC <input checked="" type="checkbox"/> INCHES <input type="checkbox"/>	LAB OFFICE					
TOLERANCES	----					
.X ± 0.8						
.XX ± 0.25						
.XXX ± ---						
UNSPECIFIED RADII ARE:	THE REPRODUCTION, DISTRIBUTION AND UTILIZATION OF THIS DOCUMENT AS WELL AS THE COMMUNICATION OF ITS CONTENTS TO OTHER WITHOUT EXPLICIT AUTHORIZATION IS PROHIBITED. OFFENDERS WILL BE HELD LIABLE FOR THE PAYMENT OF DAMAGES. ALL RIGHT RESERVED IN THE EVENT OF THE GRANT OF A PATENT, UTILITY MODEL OR DESIGN. (PER ISO 16016)				DRAWING INTERPRETATION PER 504H0074	
UNSPECIFIED DRAFT ANGLES					DWG NO A-2215-003 REV B	
SURFACE ROUGHNESS			SCALE 1/1		DRAWING TITLE	
NO BURRS			SHEET 1 OF 1		MOUNTING FLANGE INSTALLATION	
					PART NO A-2215-003	

NOTE

- UNLESS OTHERWISE SPECIFIED ALL DIMENSIONS ARE NOMINAL
- MOUNTING FLANGE SPECIFICATION SAE J744-101-2 2 BOLT B