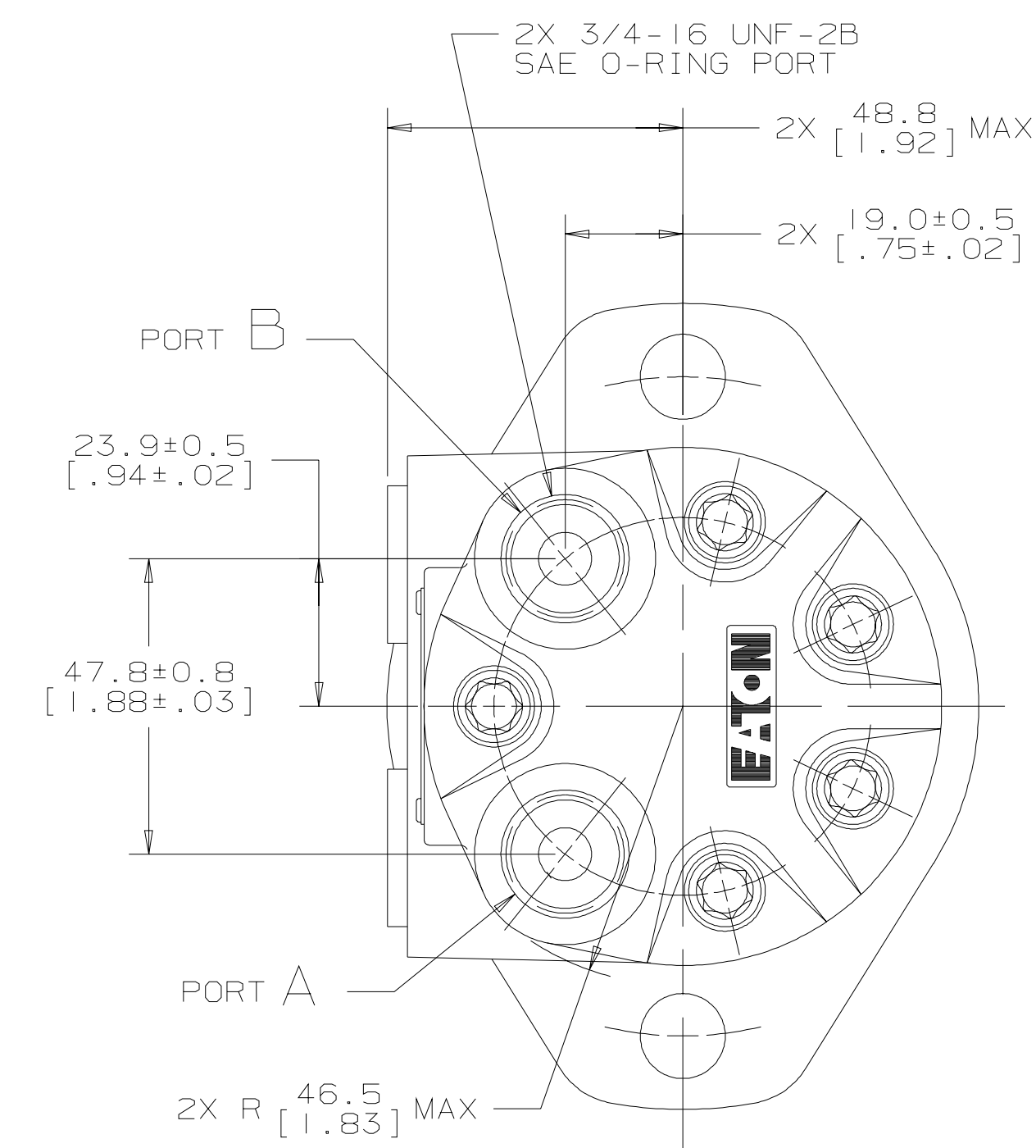
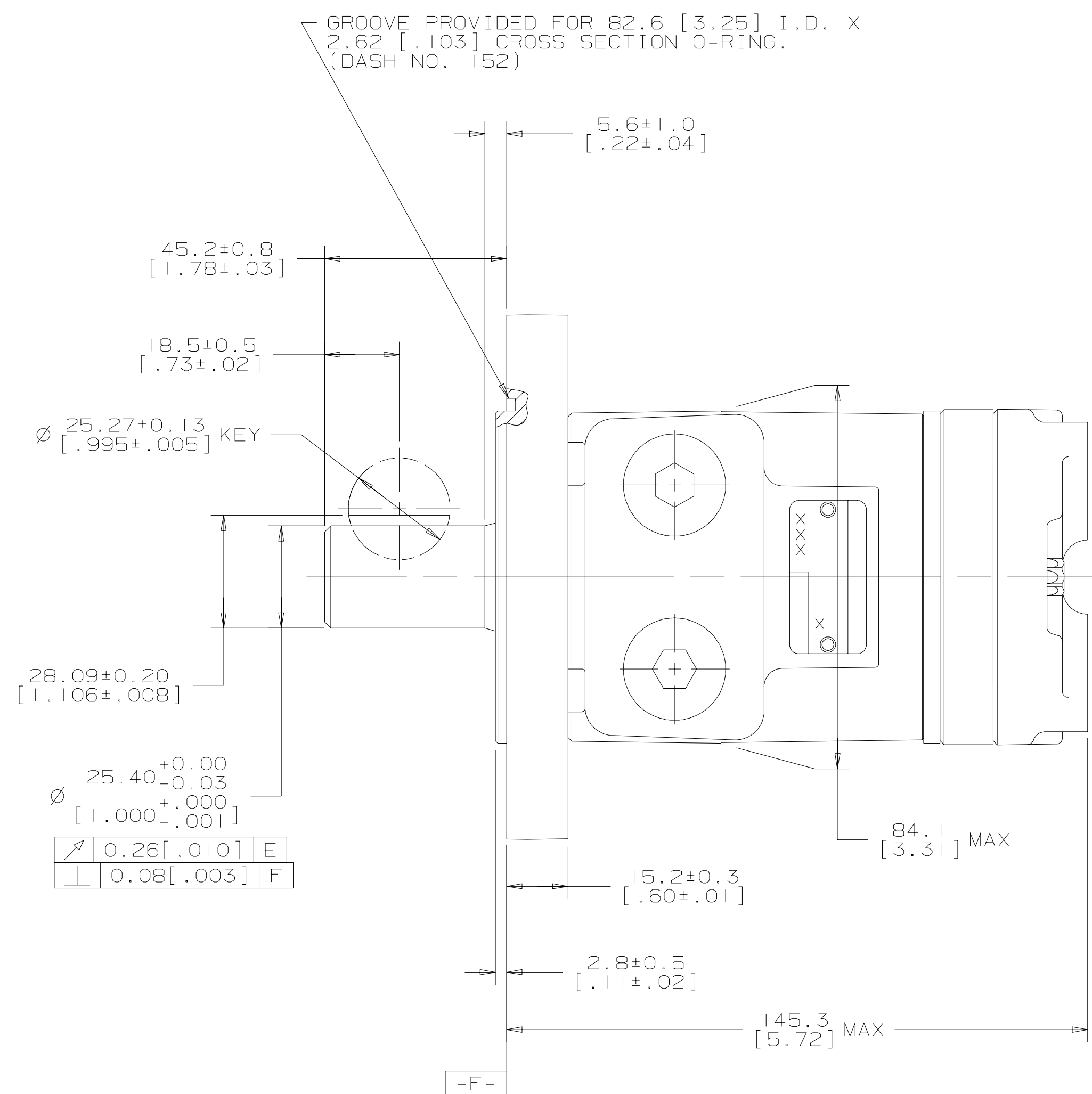
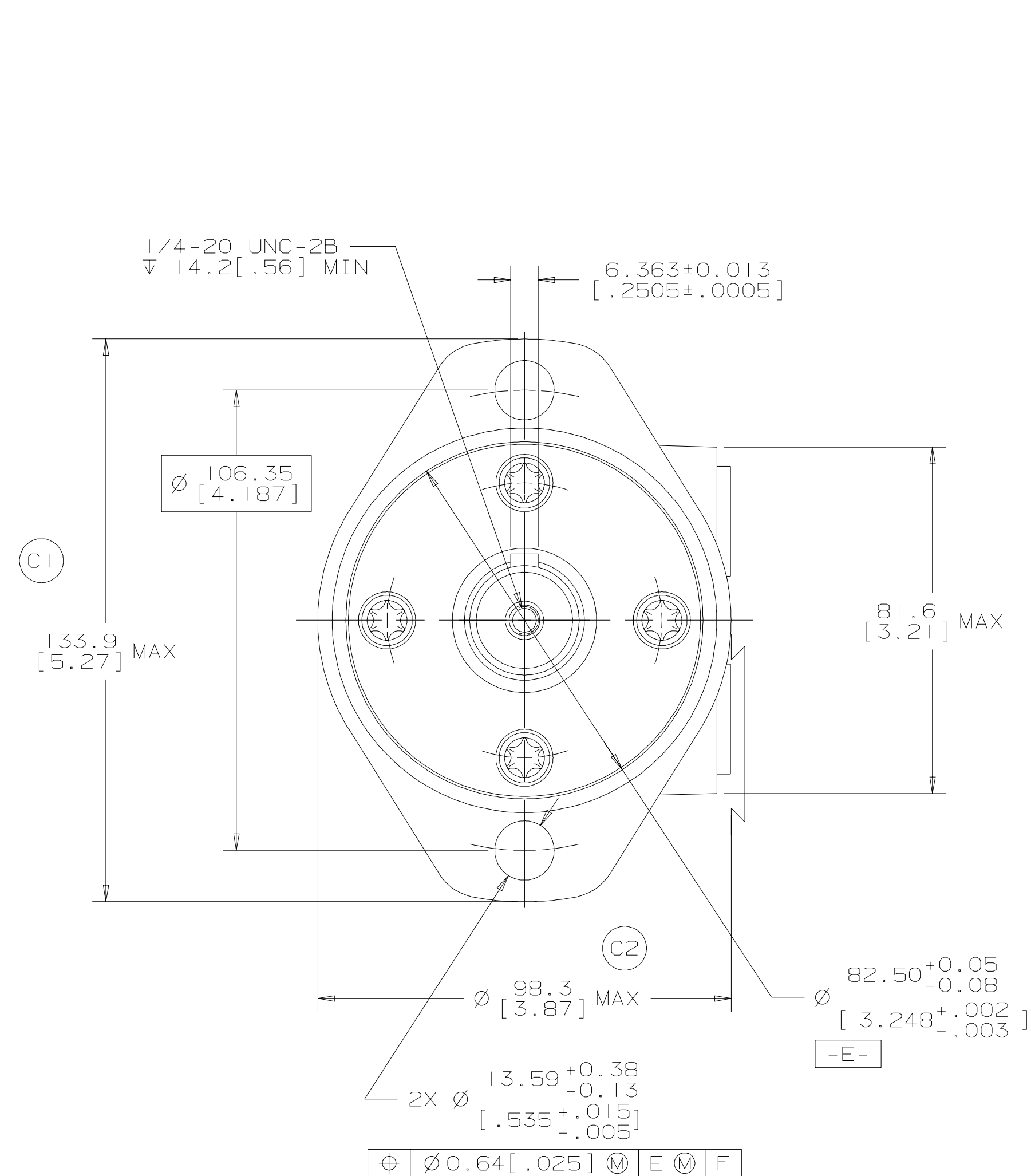


REV	DESCRIPTION	BY	CHK	DATE	ECN
A	ENGINEERING RELEASE	AGJ		11-2-00	M24473
B	(7B)Ø13.59+0.38/-0.13 [.535+.015/-0.005] WAS Ø13.59±0.13 [.535±.005]	AGJ		1-28-02	39853
C	-1) (8C) WAS 131.4/[5.17] MAX -2) (7B) WAS 96.8/[3.81] MAX	SJP		04-07-04	46856



NOTE

- ROTATION:
STANDARD: WHEN FACING SHAFT END OF MOTOR, SHAFT TO ROTATE CLOCKWISE WHEN PORT "A" IS PRESSURIZED
COUNTERCLOCKWISE WHEN PORT "B" IS PRESSURIZED

REVERSE: WHEN FACING SHAFT END OF MOTOR, SHAFT TO ROTATE COUNTERCLOCKWISE WHEN PORT "B" IS PRESSURIZED
CLOCKWISE WHEN PORT "A" IS PRESSURIZED
- DISPLACEMENT:
06 = 97 cm³/r [5.9 in³/r]
- MOUNTING FLANGE:
A = 2 BOLT STD: Ø 82.6 [3.25] X 3.0 [.12] PILOT
Ø 13.59 [.535] MOUNTING HOLES ON Ø 106.2 [4.18] B.C.
- OUTPUT SHAFT:
01 = Ø 25.4 [1.00] STRAIGHT WITH WOODRUFF KEY AND
1/4-20 THREADED HOLE
- PORT TYPE:
G = END PORTED WITH 3/4-16 UNF-2B SAE O-RING PORT, SIZE 8 WITHOUT SPOTFACE. HOUSING WITH 7/8-14 UNF-2B SAE O-RING PORT
- CASE DRAIN:
0 = NO CASE DRAIN

S M G

UNLESS OTHERWISE SPECIFIED ALL DIMENSIONS ARE IN		DRAWING BASED ON ANSI Y14.5M-1982	
INCHES	<input type="checkbox"/>	NOTICE TO PERSONS RECEIVING THIS DRAWING AND / OR TECHNICAL INFORMATION	
MILLIMETERS	<input checked="" type="checkbox"/>	Eaton Corporation claims proprietary rights in the information disclosed herein. This document is issued in confidence and is not to be reproduced or used to manufacture anything shown hereon without the written permission of the Eaton Corporation.	
TOLERANCES		Eaton Corporation Hydraulics Division 15151 Highway 5 Eaton Prairie, Mn. 55344	
.XX	----	DRAWN BY/DATE AGJ 11-29-00	MATERIAL/HEAT TREAT
.XXX	----	CHECKED BY/DATE MLL 11-30-00	
<	----	ENGRG. BY/DATE JML 11-30-00	TITLE
UNSPECIFIED RADI	ARE	METALLURGY BY/DATE	H MOTOR INSTALLATION
UNSPECIFIED DRAFT ANGLES	ARE	THIRD ANGLE PROJECTION	NUMBER
---	---	DO NOT SCALE	101-2170-009
DRAWING FORMAT CAD <input checked="" type="checkbox"/> MANUAL <input type="checkbox"/>		ARITHMETICAL AVERAGE	SCALE 1/1 SHEET 1 OF 1