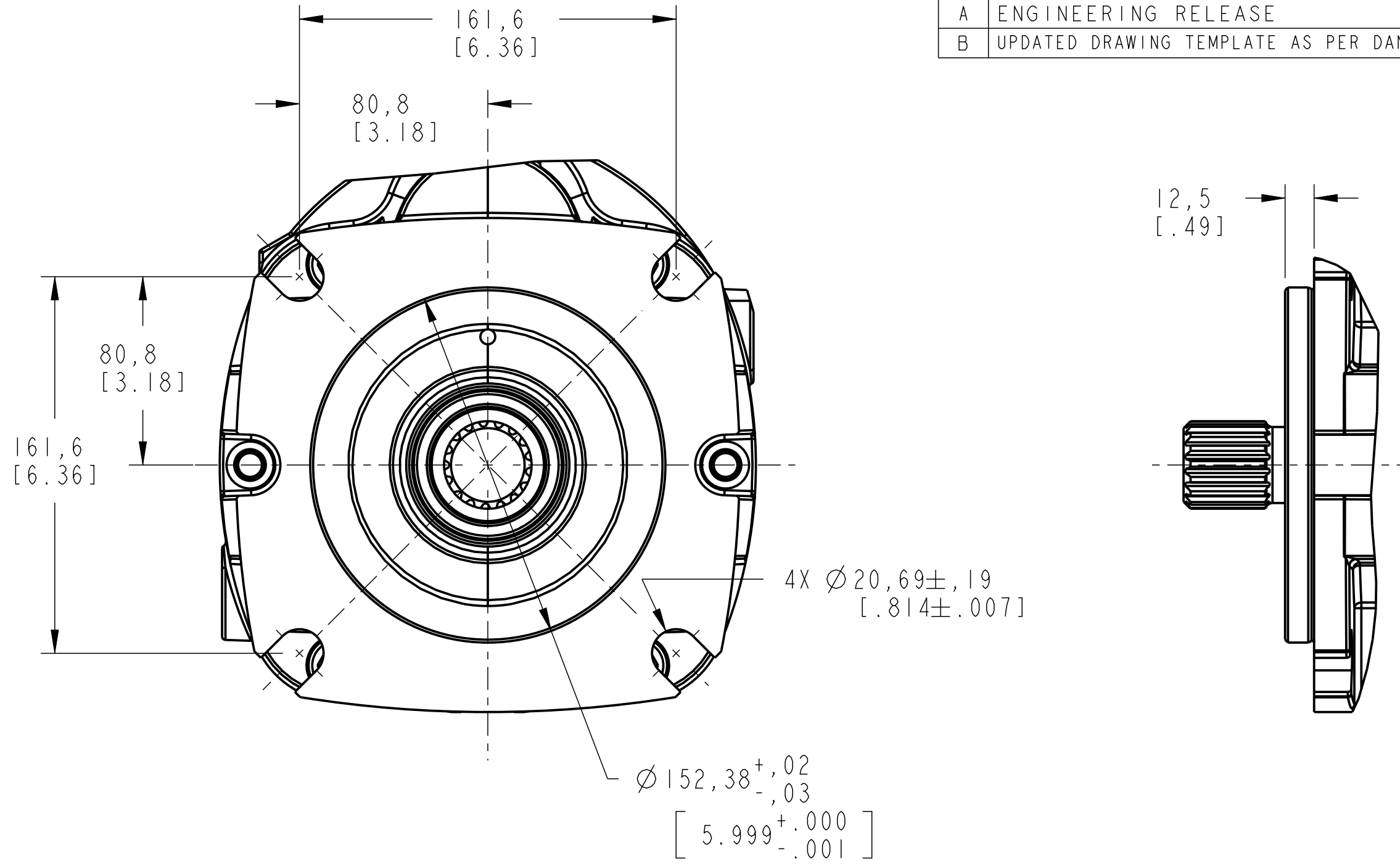


REV	DESCRIPTION	BY	CHK	DATE	CO
A	ENGINEERING RELEASE	JLW	JGS	09/21/00	36517
B	UPDATED DRAWING TEMPLATE AS PER DANFOSS STANDARS	SSP	TTM	04/10/23	CO-0228703



NOTE

- 1 DIMENSIONS ARE NOMINAL UNLESS OTHERWISE SPECIFIED
- 2 MOUNTING FLANGE CONFORMS TO SAE J744-152-4, D 4-BOLT MOUNTING FLANGE

DRAWN BY/DATE	JLW	11/21/00
CHECKED BY/DATE	JGS	12/21/00
ENGRG BY/DATE	JI	02/08/01
MFG BY/DATE	----	----

PRODUCT FIRST USED ON : PVM PUMP		CHANGE ID		REV ITEMS	STATUS/DATE (DD/MM/YY)	RAW MATERIAL SPECIFICATION	
UNLESS OTHERWISE SPECIFIED <input checked="" type="checkbox"/> LEGACY VICKERS ITEM INTERPRET PER VS 1-3-3-1		CO-0228703	B	REVISED	10/04/23	----	
METRIC <input checked="" type="checkbox"/> INCHES <input type="checkbox"/>	LAB OFFICE					DRAWING INTERPRETATION PER 504H0074	
TOLERANCES N/A <input type="checkbox"/>	----					DWG NO A-2215-008 REV B	
.X ± 0.8 ± ---	THE REPRODUCTION, DISTRIBUTION AND UTILIZATION OF THIS DOCUMENT AS WELL AS THE COMMUNICATION OF ITS CONTENTS TO OTHER WITHOUT EXPLICIT AUTHORIZATION IS PROHIBITED. OFFENDERS WILL BE HELD LIABLE FOR THE PAYMENT OF DAMAGES. ALL RIGHT RESERVED IN THE EVENT OF THE GRANT OF A PATENT, UTILITY MODEL OR DESIGN. (PER ISO 16016)					DRAWING TITLE	
.XX ± 0.25 ± .03							MOUNTING FLANGE INSTALLATION
.XXX ± --- ± .010							SCALE 1/2
UNSPECIFIED RADII ARE: ---	<input type="checkbox"/> <input type="checkbox"/>		SHEET 1 OF 1	PART NO A-2215-008			
UNSPECIFIED DRAFT ANGLES: ---°							
SURFACE ROUGHNESS: ---							
NO BURRS B SIZE							