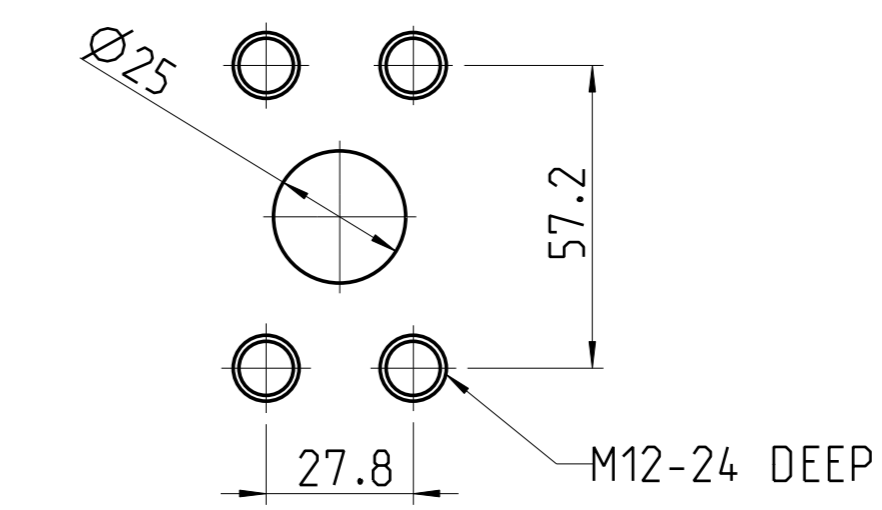
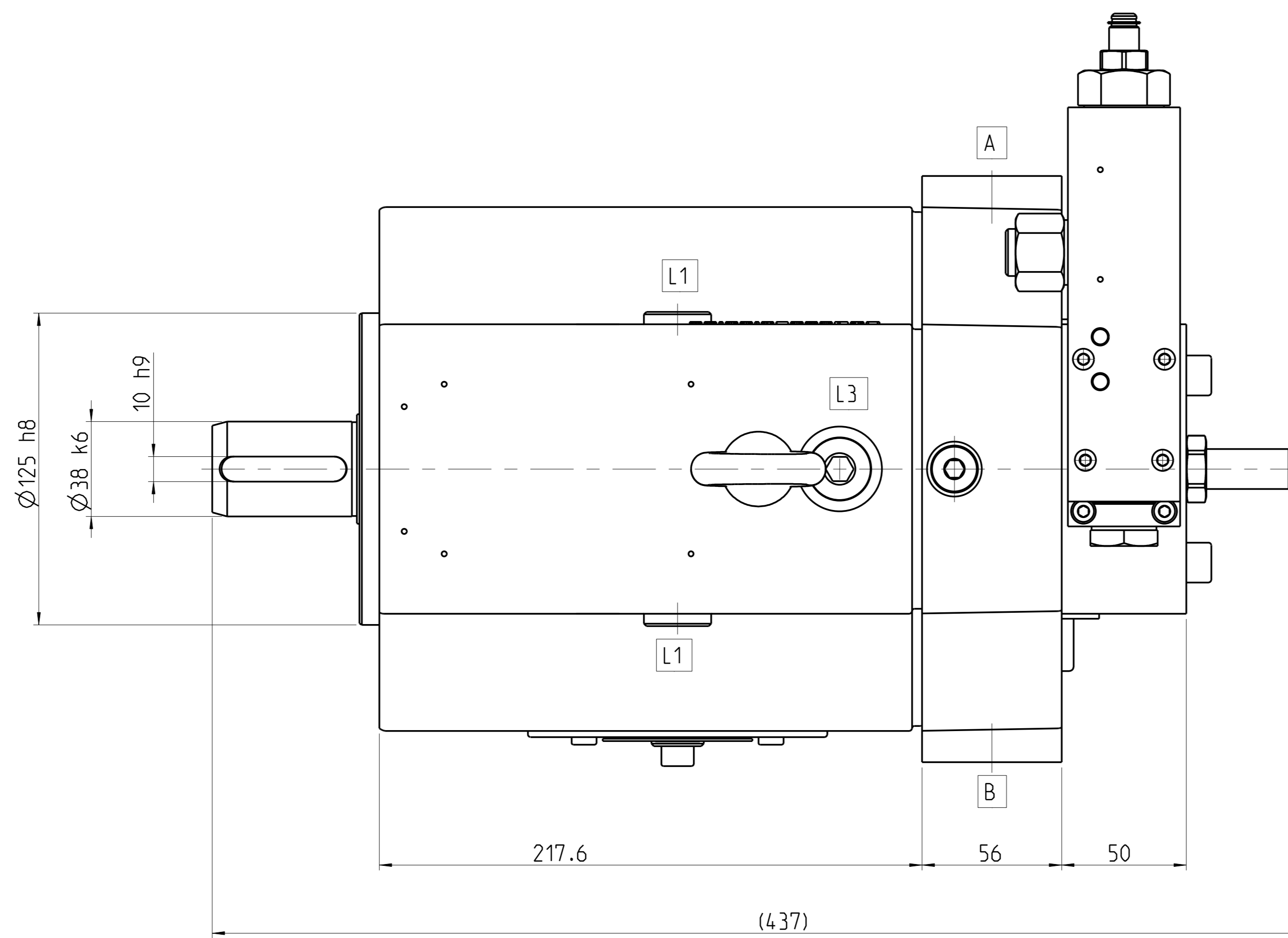
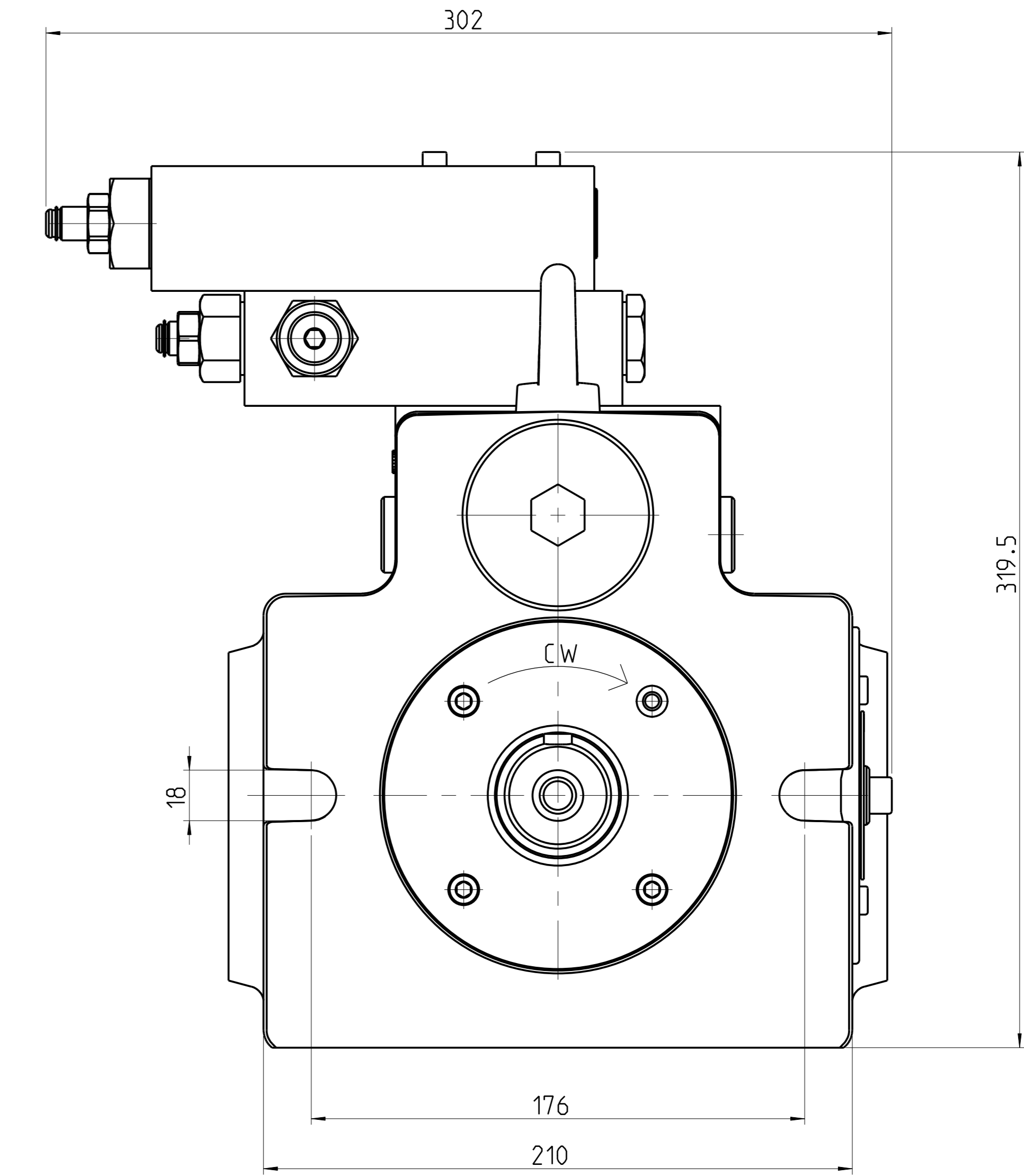
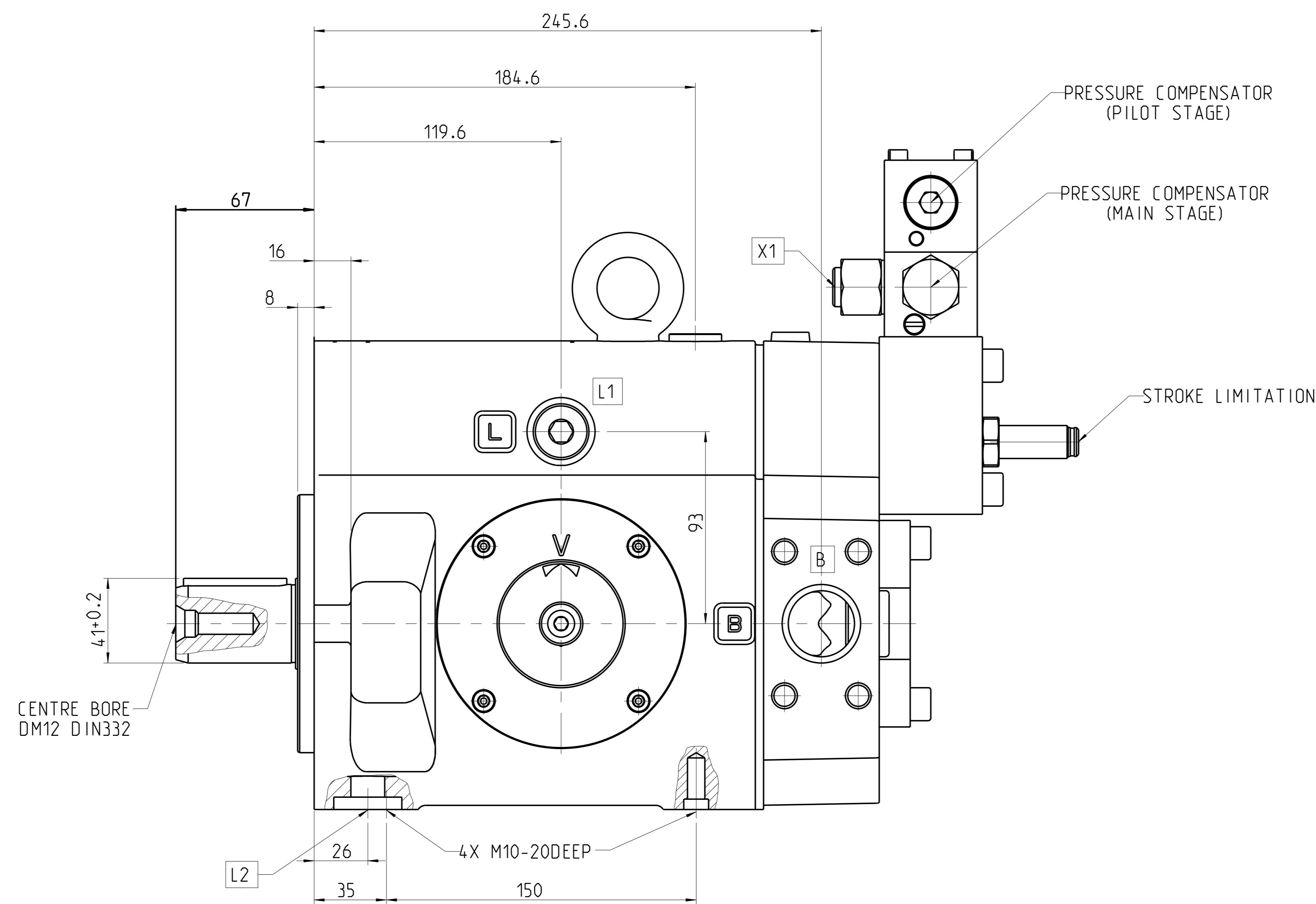
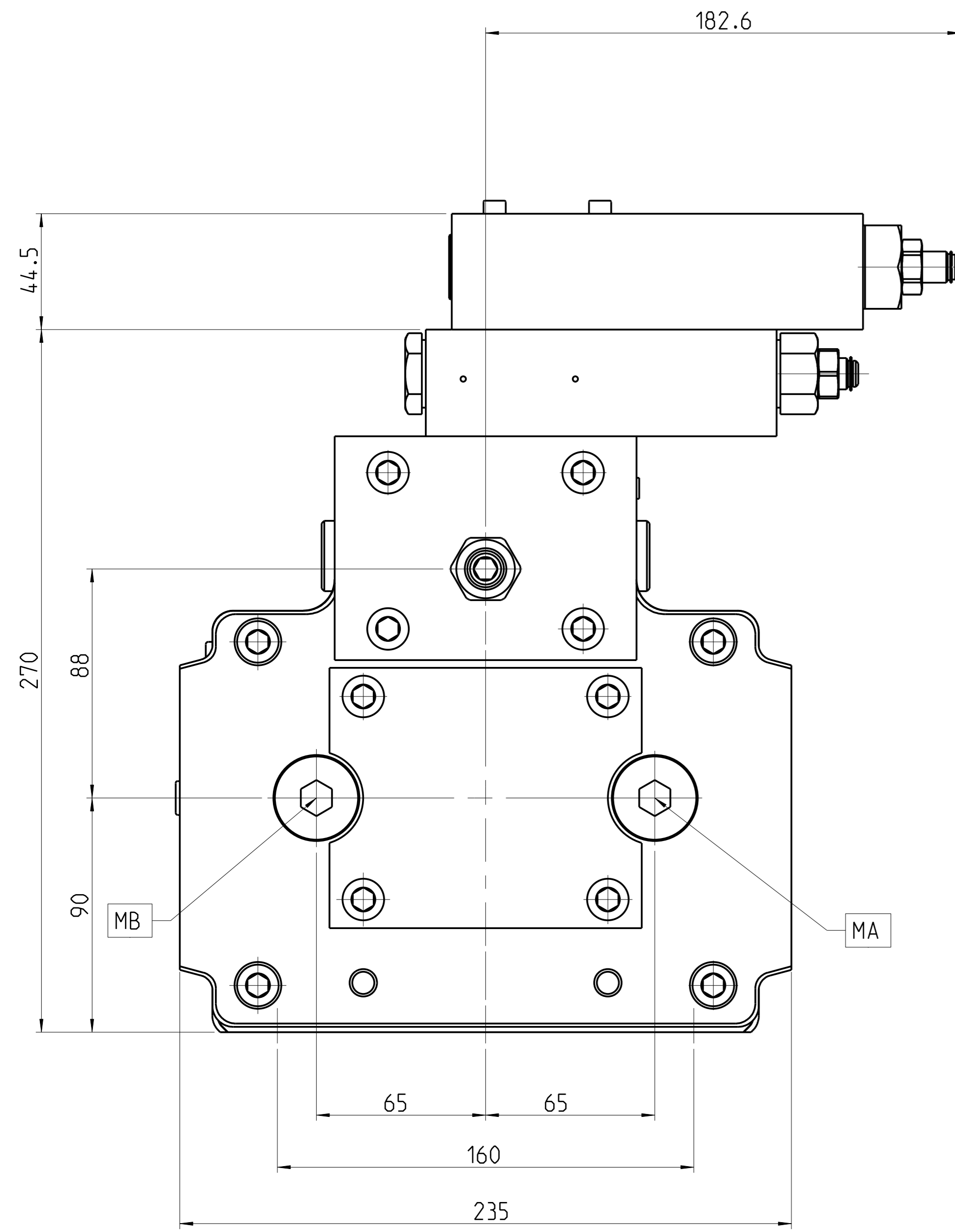
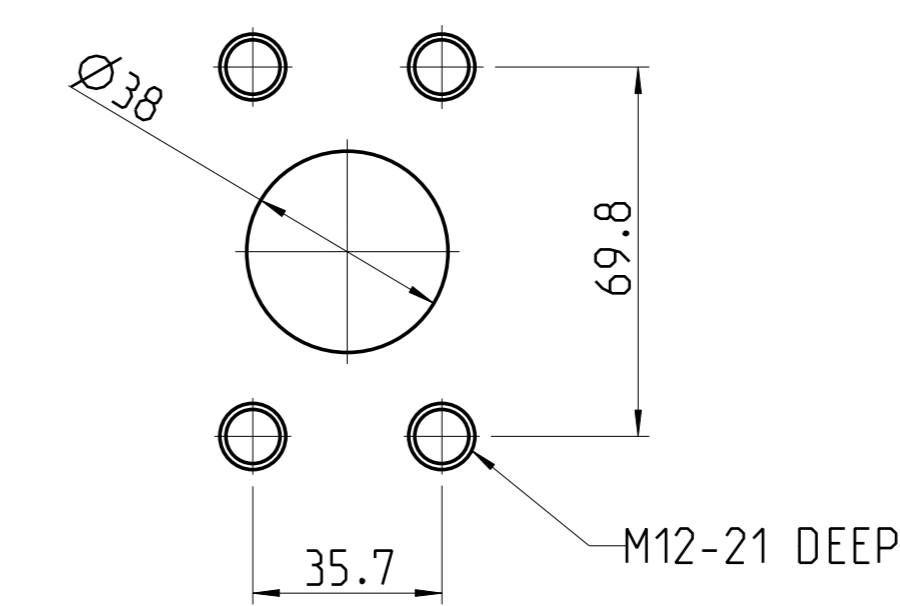


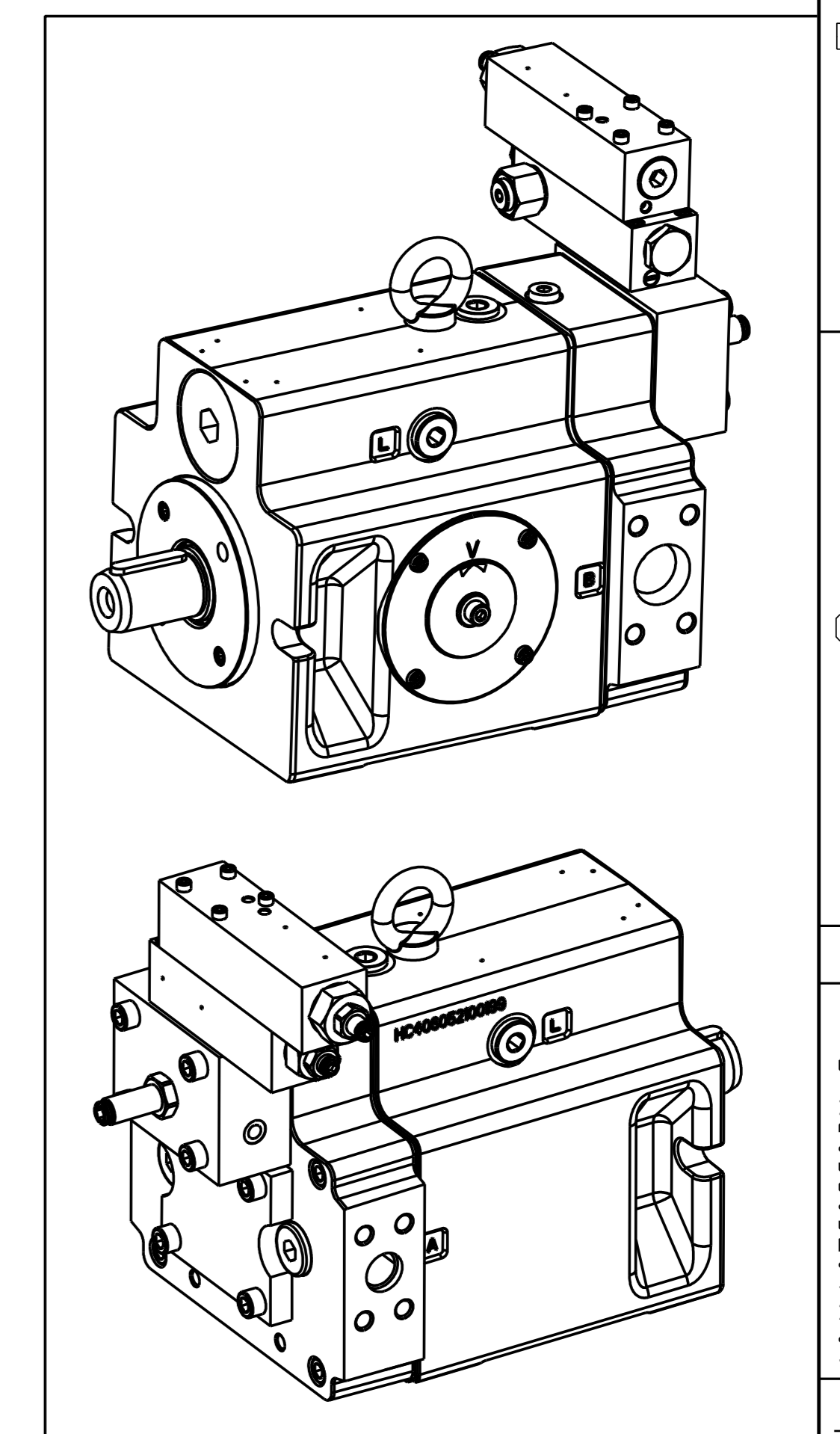
CAE DRAWING *** DO NOT CHANGE ORIGINAL				
REVISIONS				
ZONE	LTR	DESCRIPTION	DATE	APPROVED
A		ENGINEERING RELEASE	21/08/08	AL



PORT A
SAE 1", 6000PSI



PORT B
SAE 1 1/2", 3000PSI



PVXS-066M02R0001R01SVVADF000A000000000000000010

- A** SYSTEM PRESSURE PORT SAE 1", 6000PSI
- B** SUCTION PORT SAE 1 1/2", 3000PSI
- X1** G1/4"x12.5 DEEP. OPTION FOR AN ADDITIONAL PILOT VALVE AND OR DISCHARGE VALVE OF PRESSURE COMPENSATOR
- (L1)** TWO DRAIN PORTS M22X 1.5 ONE SUPPLIED PLUG
- L2** M18X1.5-12DEEP SUPPLEMENTARY DRAIN. OR BLEND PLUG MUST BE DRAINED IN ADDITION TO **L1** IF THE PUMP IS INSTALLED WITH THE SHAFT INPUT END POINTING UPWARDS.
- (L3)** OIL FILLING 7/8"-12UNF-2B OR BLEED PLUG MUST BE DRAINED IN ADDITION TO **L1** IF THE PUMP IS INSTALLED WITH THE SHAFT INPUT END POINTING DOWNWARDS.
- (MA)** G1/4"x 12.5-DEEP GAUGE PORT SUPPLIED PLUG
- (MB)** G1/4"x 12.5-DEEP GAUGE PORT OF SUCTION PRESSURE
- (...) NORMALLY PLUGGED

DIRECTION OF ROTATION	CONTROL	INPUT	OUTPUT
RIGHT HAND ROTATION	TO +V _{MAX}	B	A
	TO -V _{MAX}	A	B
LEFT HAND ROTATION	TO +V _{MAX}	A	B
	TO -V _{MAX}	B	A

EATON CORPORATION - CONFIDENTIAL AND PROPRIETARY NOTICE TO PERSONS RECEIVING THIS DOCUMENT AND/OR TECHNICAL INFORMATION		REF: MDS73926/HC B06052041701	
THIS DOCUMENT, INCLUDING THE DRAWING AND INFORMATION CONTAINED THEREON, IS CONFIDENTIAL AND IS THE EXCLUSIVE PROPERTY OF EATON CORPORATION, AND IS MERELY ON LOAN AND SUBJECT TO RECALL BY EATON AT ANY TIME.		DATE: 04/09/08	
BY TAKING POSSESSION OF THIS DOCUMENT, THE RECIPIENT ACKNOWLEDGES AND AGREES THAT THIS DOCUMENT CANNOT BE USED IN ANY MANNER ADVERSE TO THE INTERESTS OF EATON, AND THAT NO PORTION OF THIS DOCUMENT MAY BE COPIED OR OTHERWISE REPRODUCED WITHOUT THE PRIOR WRITTEN CONSENT OF EATON. IN THE CASE OF CONFLICTING CONTRACTUAL PROVISIONS, THIS NOTICE SHALL GOVERN THE STATUS OF THIS DOCUMENT.		DRAWN: AL 04/09/08	
FUNDAMENTAL TOLERANCING PRINCIPLE PER ISO 2768		CHECKED: AL 04/09/08	
GENERAL TOLERANCES OF LINEAR AND ANGULAR DIMENSIONS AND GEOMETRICAL TOLERANCES PER ISO 2768-m		PROJ: VICKERS HYDROGRAF	
REMOVE BURRS		TITLE: INSTALLATION OF PVXS-066 WITH DFO00A...CONTROL	
SHEET 1 OF 1		SCALE: A0	
DATE: 04/09/08		DRAWING NO: D-HC 056052041701	
WEIGHT: 1.0E 1		SHEET 1 OF 1	

erstellt mit: Pro-Engineer
 Modellname: HC056052041701
 Datum: 04/09/08