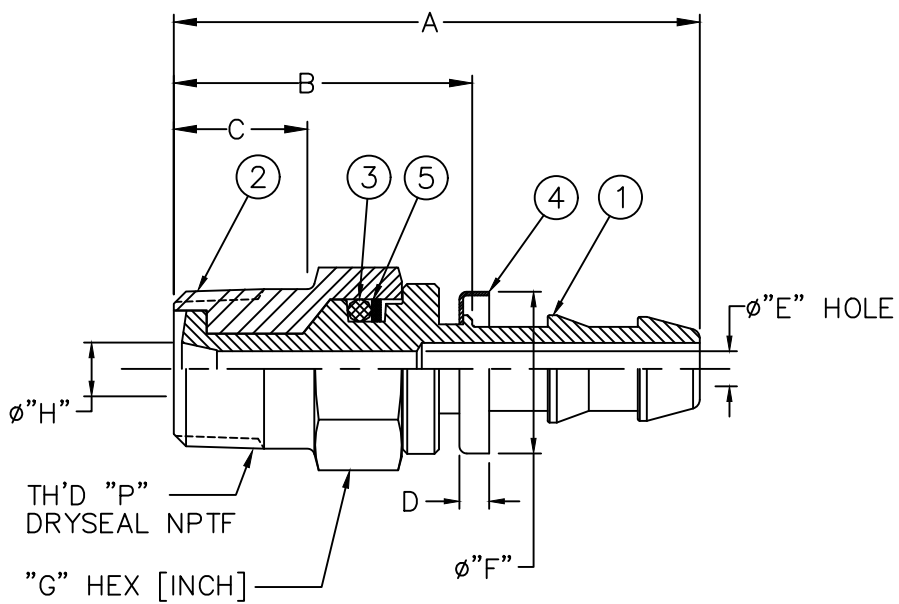


AEROQUIP PART NUMBER	WEATHERHEAD PART NUMBER	TH'D "P"	A REF	B REF	C REF	D REF	E REF	F REF ±0.25 [±.010]	G REF	H REF ±0.12 [±.005]
FJ9486-0204B	10004B-J02	1/8-27	43.9 [1.73]	24.6 [.97]	9.7 [.38]	4.3 [.17]	3 [.12]	17.5 [.689]	5/8	4.44 [.175]

REVISIONS			
REV	DESCRIPTION	DATE	APPROVED
B	REDRAWN & REDESIGNED. UPDATED TO DANFOSS FORMAT & DIMENSION STYLE. 1) ADDED WEATHERHEAD PART NUMBER.	2014-07-08 VSP	0099540-ECO

①



METRIC

②

- 3. NUT MUST SWIVEL.
- 2. LUBRICATE O'RING WITH "SOHIPET WW USP" BEFORE ASSEMBLY.
- 1. DIMENSIONS ARE IN MILLIMETERS [INCHES].

FJ9486-0204B	10004B-J02	FW1931-0404B	FC1301-0204B	22550-11	FF91126-4	22049-11
AEROQUIP PART NUMBER	WEATHERHEAD PART NUMBER	① NIPPLE	② NUT	③ O'RING	④ HOSE CAP	⑤ BACKUP RING
LIST OF MATERIALS						
ITEM NO.	MATERIAL	DRAWN V. PATIL	FLUID CONVEYANCE DIVISION DRAWING TITLE FITTING ASSEMBLY MALE PIPE SWIVEL SOCKETLESS TYPE, 2556 HOSE			
1	BRASS	CHECKED V. PATIL				
2	BRASS	APPROVED Y. KULKARNI				
3	NITRILE (BUNA-N)	RELEASE DATE 2014-07-08				
4	SANTOPRENE-BLUE	0099540-ECO				
5	TEFLON	THIRD ANGLE PROJECTION	SIZE A2	DRAWING NUMBER FJ9486-B	REV B	
		SCALE NONE	DIST U	CAGE CODE 01276	SHEET 1	
<small>THE REPRODUCTION, DISTRIBUTION AND UTILIZATION OF THIS DOCUMENT AS WELL AS THE COMMUNICATION OF ITS CONTENTS TO OTHERS WITHOUT EXPLICIT AUTHORIZATION IS PROHIBITED. OFFENDERS WILL BE HELD LIABLE FOR THE PAYMENT OF DAMAGES. ALL RIGHT RESERVED IN THE EVENT OF THE GRANT OF A PATENT, UTILITY MODEL OR DESIGN. (PER ISO 16016)</small>						