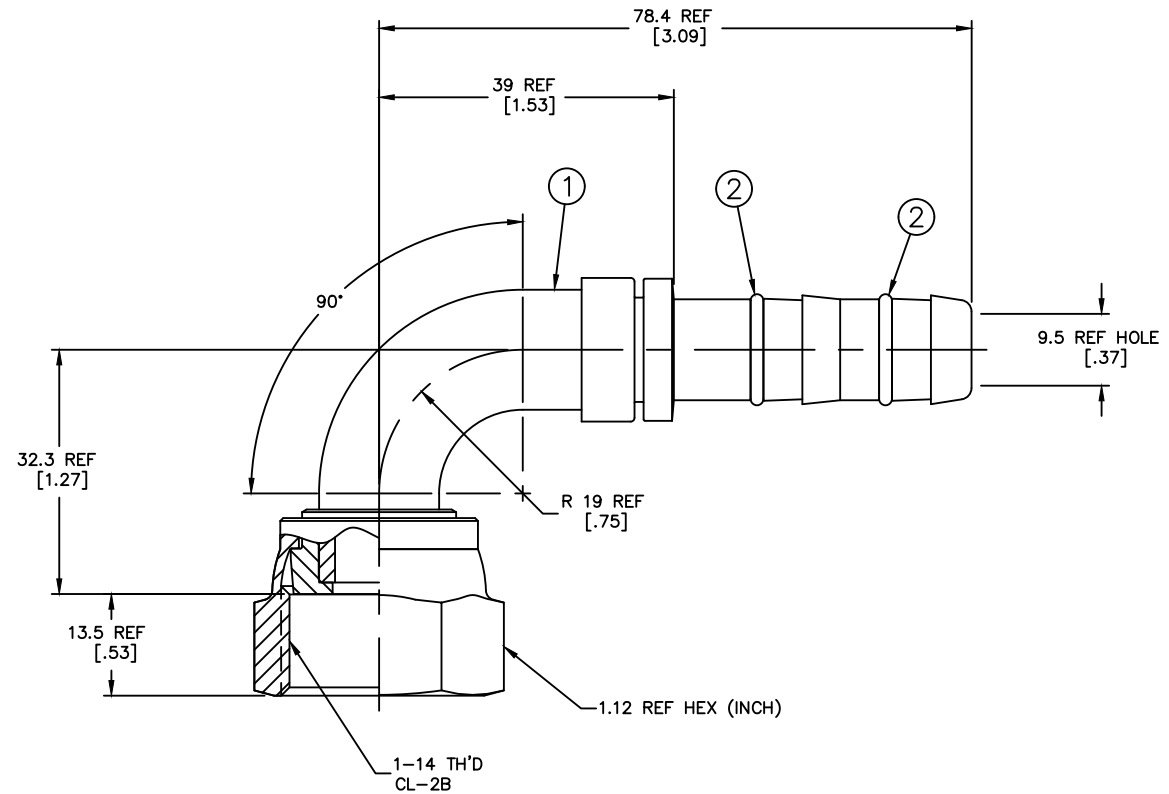


REVISIONS			
REV	DESCRIPTION	DATE	APPROVED



METRIC

- 2. DIMENSIONS ARE IN MILLIMETERS [INCHES].
- 1. LUBRICATE O-RINGS AND ASSEMBLE ON NIPPLE AS SHOWN.

FJ5994-04-1010S	FJ4994-04-1010S	1F40106-10		
AEROQUIP PART NUMBER	① NIPPLE ASSEMBLY	② O-RING (2 REQUIRED)		
LIST OF MATERIALS				
ITEM NO.	MATERIAL	DRAWN I. HARTFORD	FLUID CONVEYANCE DIVISION DRAWING TITLE FITTING ASSEMBLY 90°, ORS FEMALE SWIVEL, GH134 HOSE	
1	STEEL	CHECKED R.D.GARRETT		
2	HNBR	APPROVED R.D.GARRETT		
		RELEASE DATE 1999-12-19		
		EN-F19599 DP-1256	SIZE A2	DRAWING NUMBER FJ5994-04-1010S
		THIRD ANGLE PROJECTION	SCALE 2/1	DIST U
		ITEM TYPE TDA	CAGE CODE 01276	SHEET NO

DWG. NO. FJ5994-04-1010S