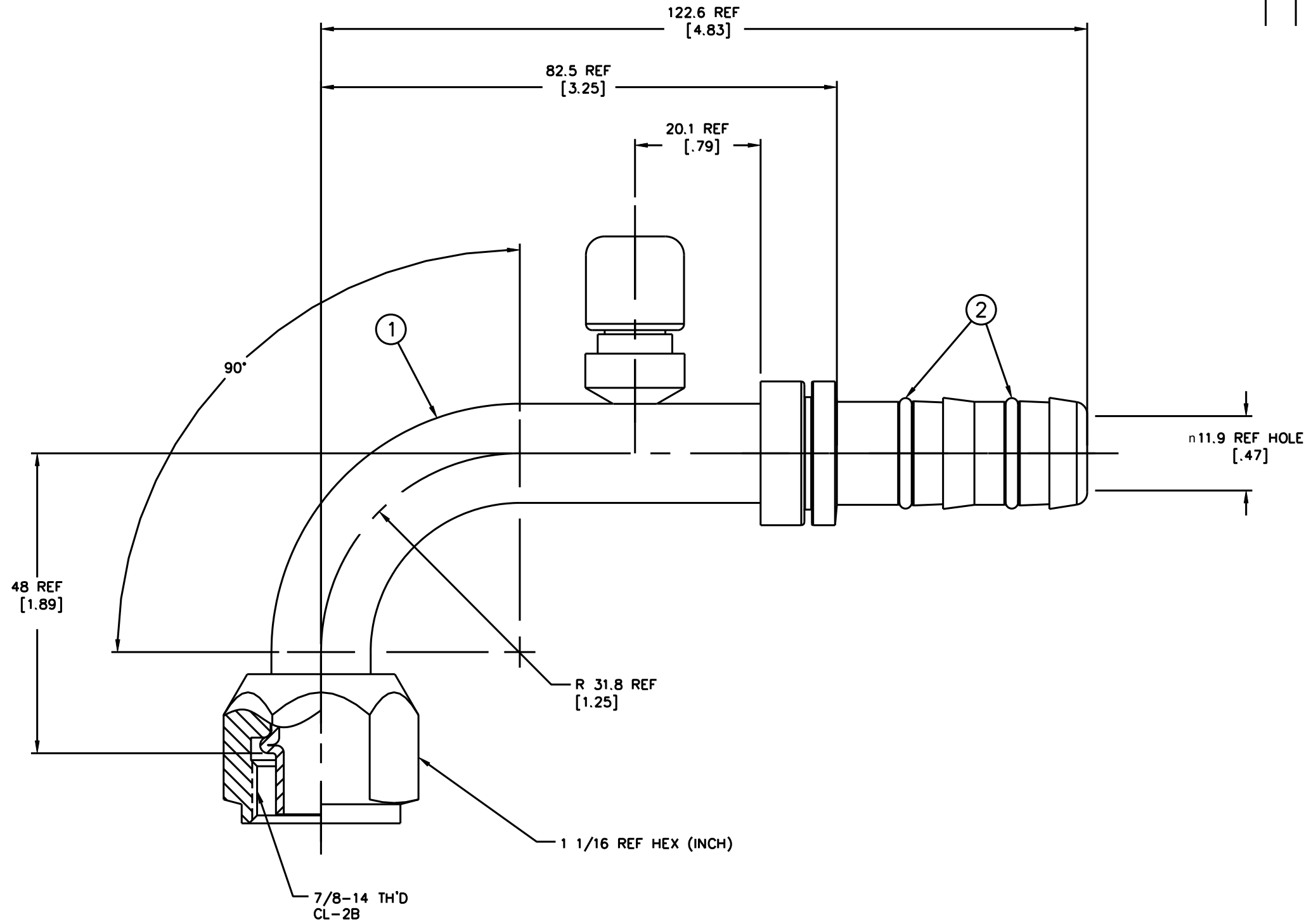


THE INFORMATION DISCLOSED ON THIS DRAWING IS PROPRIETARY AND SHALL NOT BE DISCLOSED, USED, OR DUPLICATED FOR PROCUREMENT OR MANUFACTURING PURPOSES WITHOUT THE EXPRESS WRITTEN CONSENT OF AEROQUIP CORPORATION. [DFARS 252.227-7013(d)(2)]

| REVISIONS | | | |
|-----------|-------------|------|----------|
| REV | DESCRIPTION | DATE | APPROVED |
| | | | |



METRIC

DWG. NO. FJ3460-02-1012

| | | | | | |
|-------------------------|-------------------|----------------------------------------------------------------------------------|----------------|-----------------|---------|
| FJ3460-02-1012S | FJ2460-02-1012S | 1F40106-12 | | | |
| AEROQUIP PART NUMBER | ① NIPPLE ASSEMBLY | ② (2 O'RING REQUIRED) | | | |
| LIST OF MATERIALS | | | | | |
| ITEM NO. | MATERIAL | | | | |
| 1 | STEEL | | | | |
| 2 | HNBR | | | | |
| DRAWN S HART | | AEROQUIP CORPORATION Industrial Products Group Maumee, Ohio, U.S.A. | | | |
| CHECKED S MYERS | | | | | |
| APPROVED D KAUFMAN | | DRAWING TITLE | | | |
| RELEASE DATE 2001-08-14 | | 90° SAE FEMALE O'RING PILOT (LONG) | | | |
| EN-F21644 | | WITH M12 SWITCH PORT, GH134 HOSE | | | |
| RPS-10184 | | SIZE | DRAWING NUMBER | REV | |
| THIRD ANGLE PROJECTION | | A2 | FJ3460-02-1012 | | |
| | | SCALE 2/1 | DIST U | CAGE CODE 01276 | SHEET * |

- 2. DIMENSIONS ARE IN MILLIMETER [INCHES].
- 1. LUBRICATE O'RINGS AND ASSEMBLE TO NIPPLE AS SHOWN.