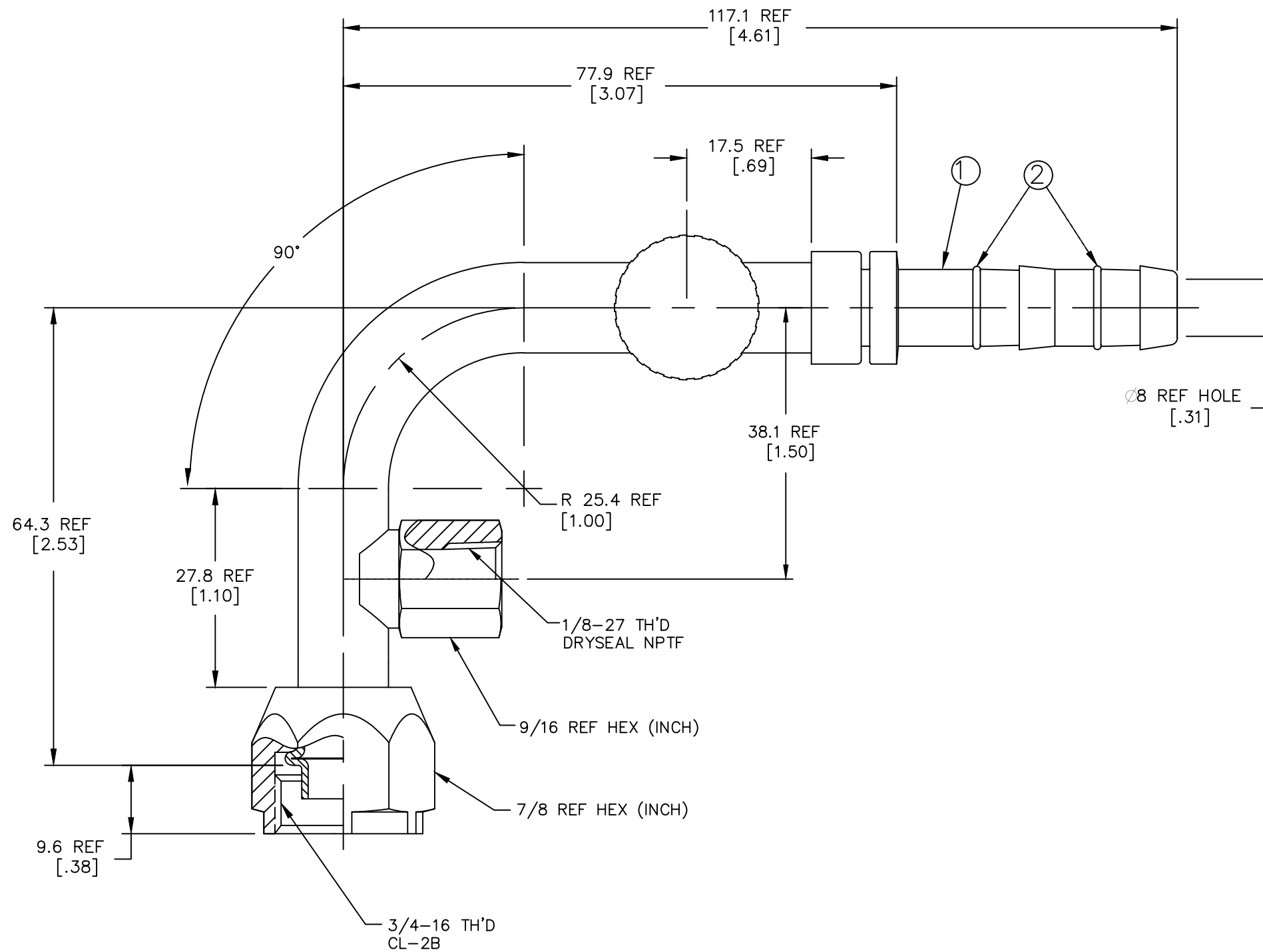


REVISIONS			
REV	DESCRIPTION	DATE	APPROVED



METRIC

- 2. DIMENSIONS ARE IN MILLIMETERS [INCHES].
- 1. LUBRICATE O'RINGS AND ASSEMBLE AS SHOWN.

FJ3366-02-0808S	FJ2366-02-0808S	1F40106-08			
PART NUMBER	① NIPPLE ASSEMBLY	② O'RING (2 REQUIRED)			
LIST OF MATERIALS					
ITEM NO.	MATERIAL	DRAWN K CHEESEMAN	FLUID CONVEYANCE DIVISION DRAWING TITLE NIPPLE ASSEMBLY 90°, SAE FEMALE O'RING PILOT (SHORT), WITH HIGH SIDE CHARGE PORT, GH134 HOSE		
1	STEEL	CHECKED S MYERS			
2	HNBR	APPROVED R RUTSCHILLING	SIZE A2	DRAWING NUMBER FJ3366-02-0808	REV
		RELEASE DATE 2001-12-06	SCALE 2:1		
		EN-F22395	DIST U		
		RPS-10978	CAGE CODE 01276		
		THIRD ANGLE PROJECTION	SHEET		