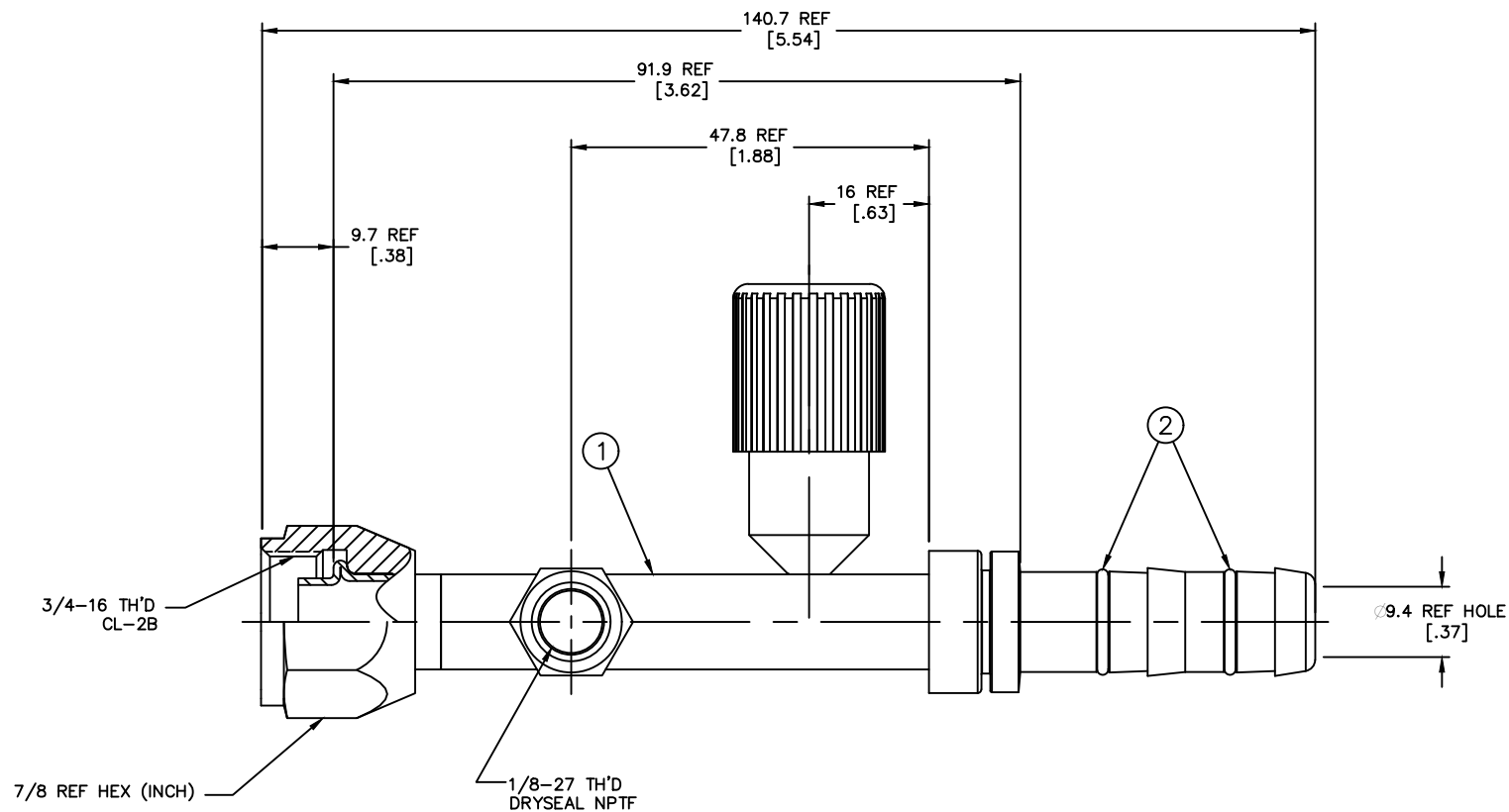


REVISIONS			
REV	DESCRIPTION	DATE	APPROVED



METRIC

- 2 DIMENSIONS ARE IN MILLIMETERS [INCHES].
- 1. LUBE O'RINGS AND ASSEMBLE TO NIPPLE AS SHOWN.

FJ3363-02-0810S	FJ2363-02-0810S	1F40106-10			
AEROQUIP PART NUMBER	① NIPPLE ASSEMBLY	② O'RING (2 REQUIRED)			
LIST OF MATERIALS					
ITEM NO.	MATERIAL	DRAWN S HART	FLUID CONVEYANCE DIVISION		
1	STEEL	CHECKED K CHEESEMAN	DRAWING TITLE		
2	HNBR	APPROVED D KAUFMAN	FITTING ASSEMBLY		
		RELEASE DATE 2001-08-29	FEMALE O'RING PILOT (SHORT) WITH		
		EN-F21661	HIGH SIDE CHARGE PORT, GH134 HOSE		
		RPS-10495	SIZE	DRAWING NUMBER	REV
		THIRD ANGLE PROJECTION	A2	FJ3363-02-0810	
			SCALE	DIST	CAGE CODE
			2/1	U	01276
					SHEET
					*

DWG. NO. FJ3363-02-0810