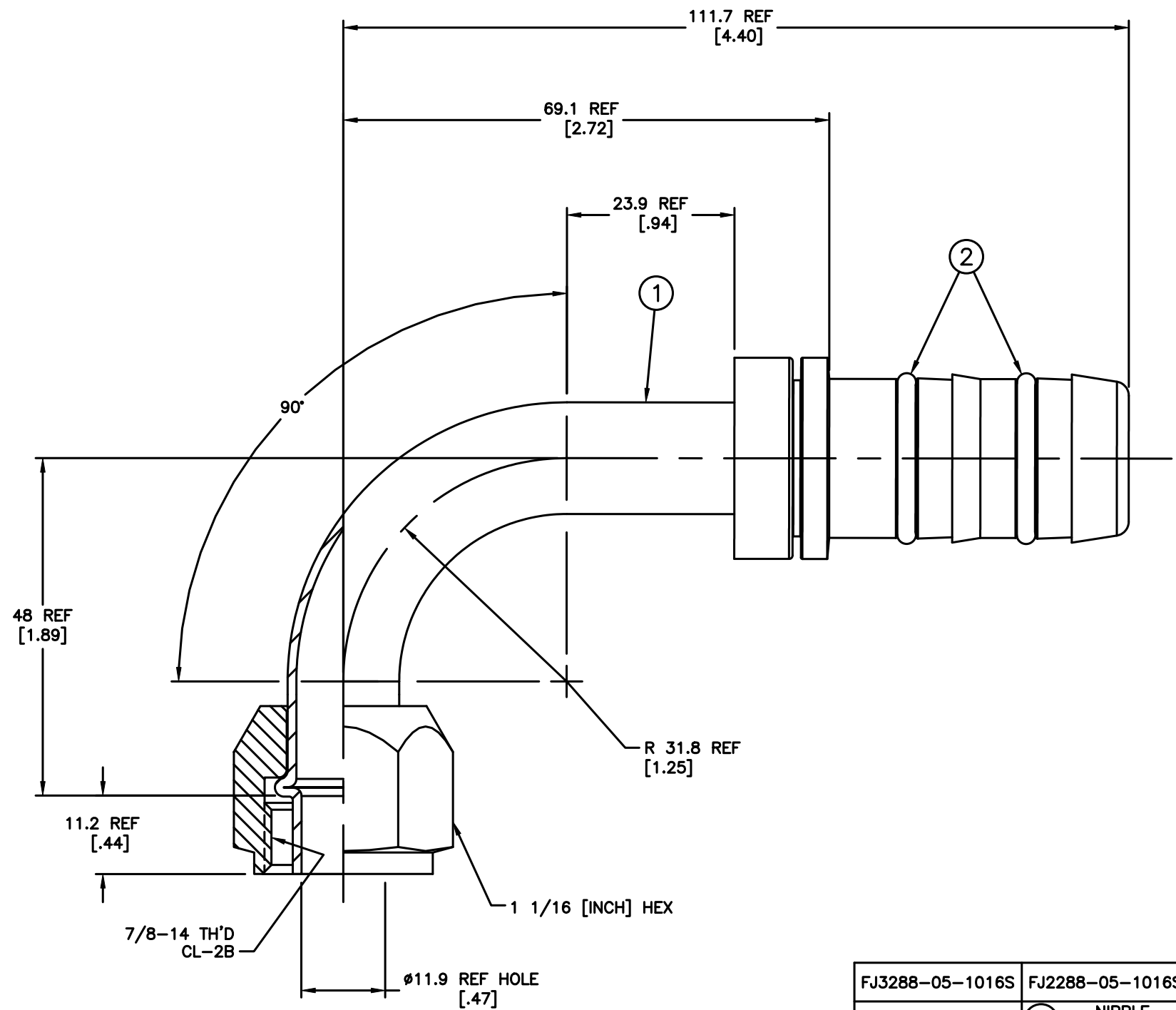


REVISIONS			
REV	DESCRIPTION	DATE	APPROVED



METRIC

FJ3288-05-1016S	FJ2288-05-1016S	1F40106-16			
PART NUMBER	① NIPPLE ASSEMBLY	② O'RING (2 REQ'D)			

LIST OF MATERIALS

ITEM NO.	MATERIAL
1	STEEL
2	HNBR

DRAWN DSnyder CHECKED W.R.HYDE APPROVED W.R.HYDE RELEASE DATE 2004-05-17 EN-F25949 DP-1529 THIRD ANGLE PROJECTION	EATON HYDRAULICS OPERATIONS TECHNICAL CENTER MAUMEE, OHIO, U.S.A. DRAWING TITLE FITTING ASSEMBLY 90°, FEMALE O'RING PILOT (LONG) GH134 HOSE
SIZE A2	DRAWING NUMBER FJ3288-05-1016S
SCALE 2/1	DIST U
CAGE CODE 01276	SHEET

- 2. LUBRICATE O'RINGS AND ASSEMBLE ON NIPPLE AS SHOWN.
- 1. DIMENSIONS ARE IN MILLIMETERS [INCHES].

REV. SH. REV. FJ3288-05-1016S

NOTICE TO PERSONS RECEIVING THIS DRAWING AND / OR TECHNICAL INFORMATION
 Eaton Corporation claims proprietary rights in the information disclosed hereon. This document is issued in confidence and is not to be reproduced or used to manufacture anything shown hereon without the written permission of the Eaton Corporation.