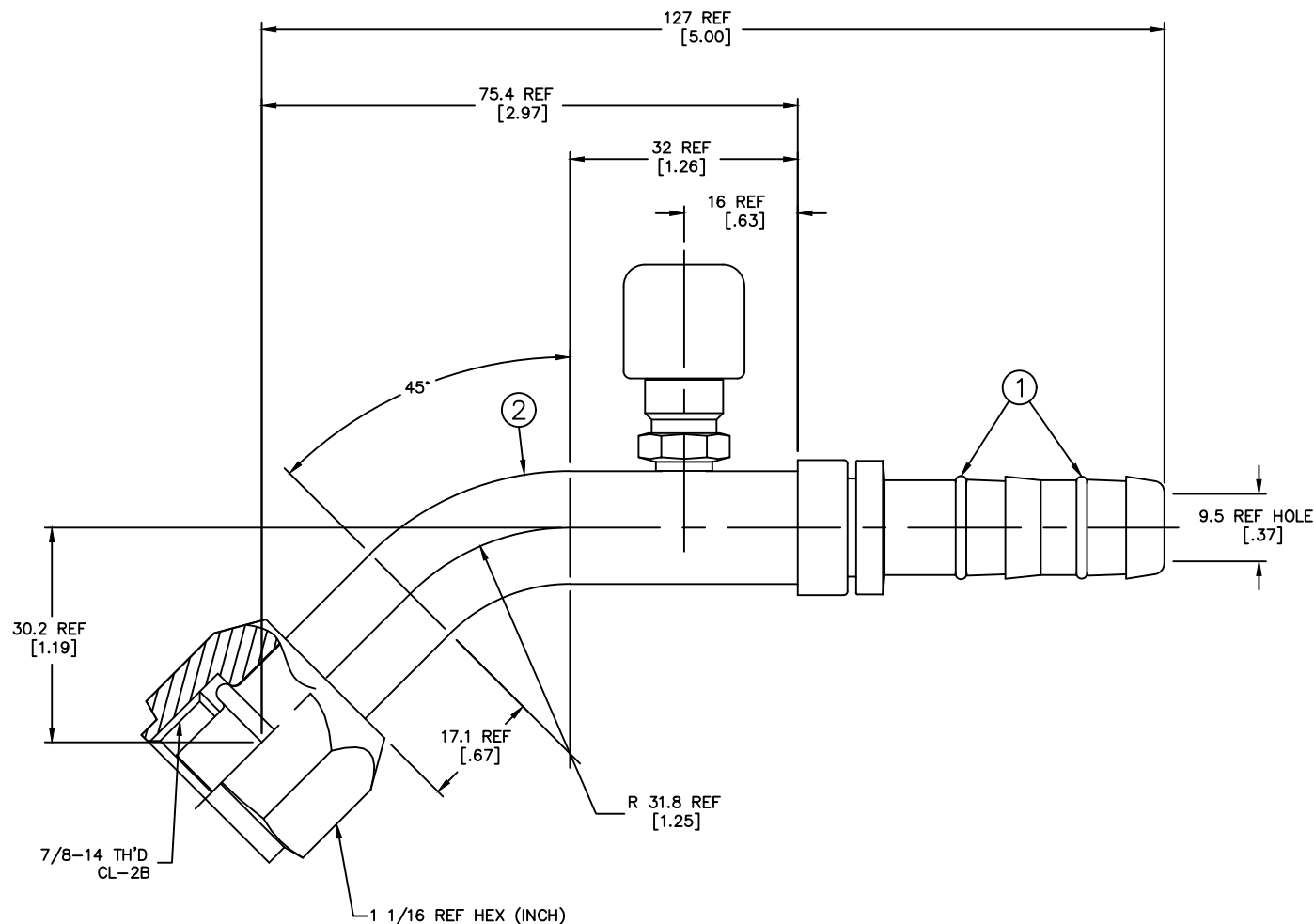


REVISIONS			
REV	DESCRIPTION	DATE	APPROVED



- DIMENSIONS ARE IN MILLIMETERS [INCHES].
- LUBRICATE O'RINGS AND ASSEMBLE TO NIPPLE AS SHOWN.

FJ3230-04-1010S	1F40106-10	FJ2230-04-1010S			
AEROQUIP PART NUMBER	① O'RING (2 REQ'D)	② NIPPLE ASSEMBLY			
LIST OF MATERIALS					
ITEM NO.	MATERIAL	DRAWN S. BOHN	FLUID CONVEYANCE DIVISION DRAWING TITLE FITTING ASSEMBLY 45°, FEMALE O'RING PILOT (LONG), WITH SWITCH PORT, GH134 HOSE		
1	HNBR	CHECKED R. D. WEBB			
2	STEEL	APPROVED K. LUDWIG			
		RELEASE DATE 2000-10-26			
		EN-F20755	SIZE	DRAWING NUMBER	REV
		DP-1256	A2	FJ3230-04-1010S	
		THIRD ANGLE PROJECTION	SCALE	DIST	CAGE CODE
			2:1	U	01276
		ITEM TYPED TSA	SHEET		

EN

REV.

SH.

DWG. NO. FJ3230-04-1010S

METRIC