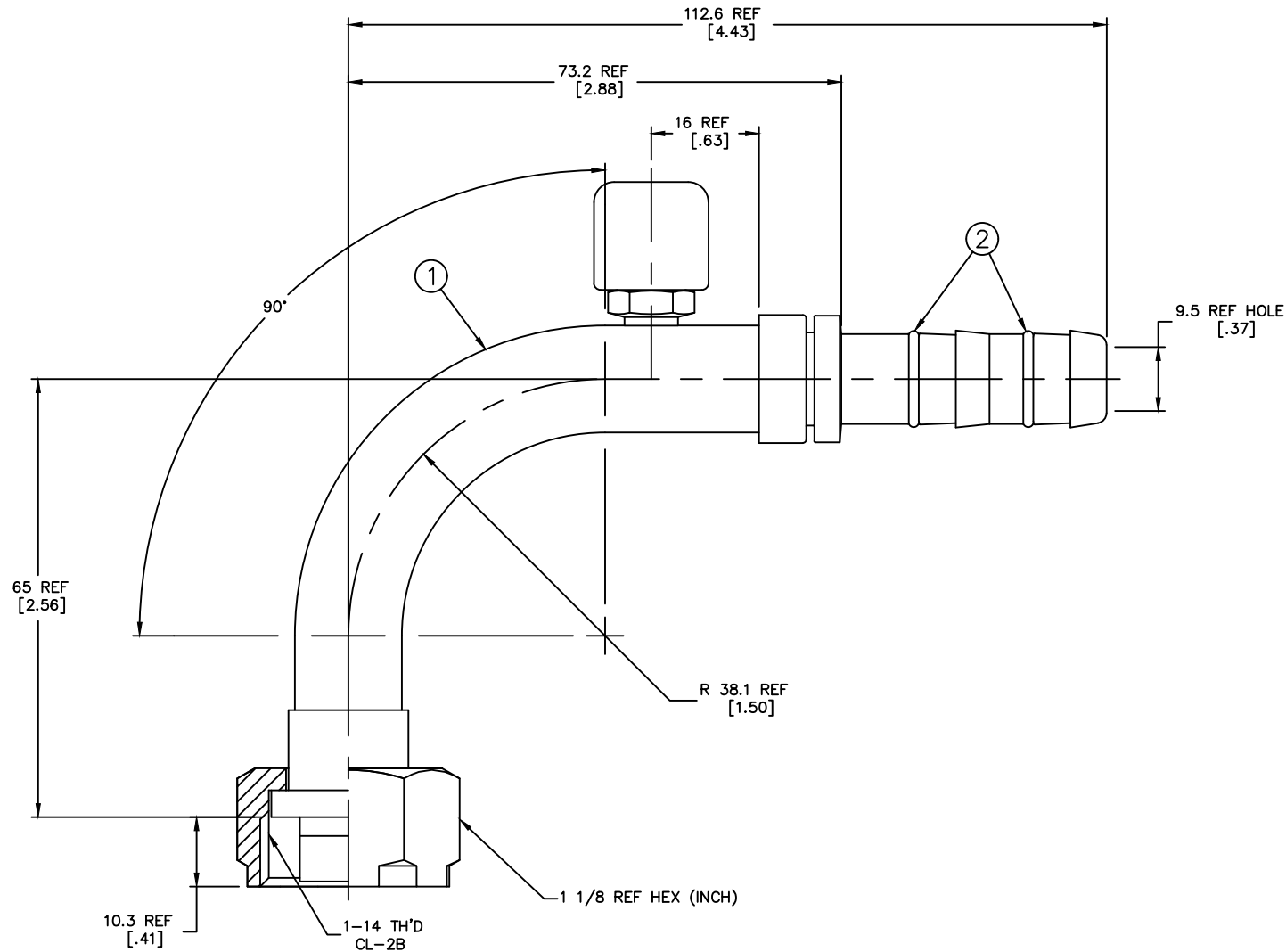


REVISIONS			
REV	DESCRIPTION	DATE	APPROVED



METRIC

- 2. DIMENSIONS ARE IN MILLIMETERS [INCHES].
- 1. LUBRICATE O'RINGS AND ASSEMBLE TO NIPPLE AS SHOWN.

FJ3226-1010S	FJ2226-1010S	1F40106-10		
AEROQUIP PART NUMBER	① NIPPLE ASSEMBLY	② O'RING (2 REQ'D)		
LIST OF MATERIALS				
ITEM NO.	MATERIAL	DRAWN	FLUID CONVEYANCE DIVISION	
1	STEEL	R. KELLY		
2	HNBR	CHECKED		
		D.BAILEY		
		APPROVED		
		D.BAILEY		
		RELEASE DATE	DRAWING TITLE	
		2000-08-01	FITTING ASSEMBLY	
		EN-F20269	90°, FEMALE ROTOLOCK,	
		DP-1256	WITH SWITCH PORT, GH134 HOSE	
		THIRD ANGLE PROJECTION	SIZE	DRAWING NUMBER
			A2	FJ3226-1010S
		ITEM TYPE/TZA	SCALE	DIST U
			2/1	CAGE CODE 01276
				SHEET

DWG. NO. FJ3226-1010S SH. REV.