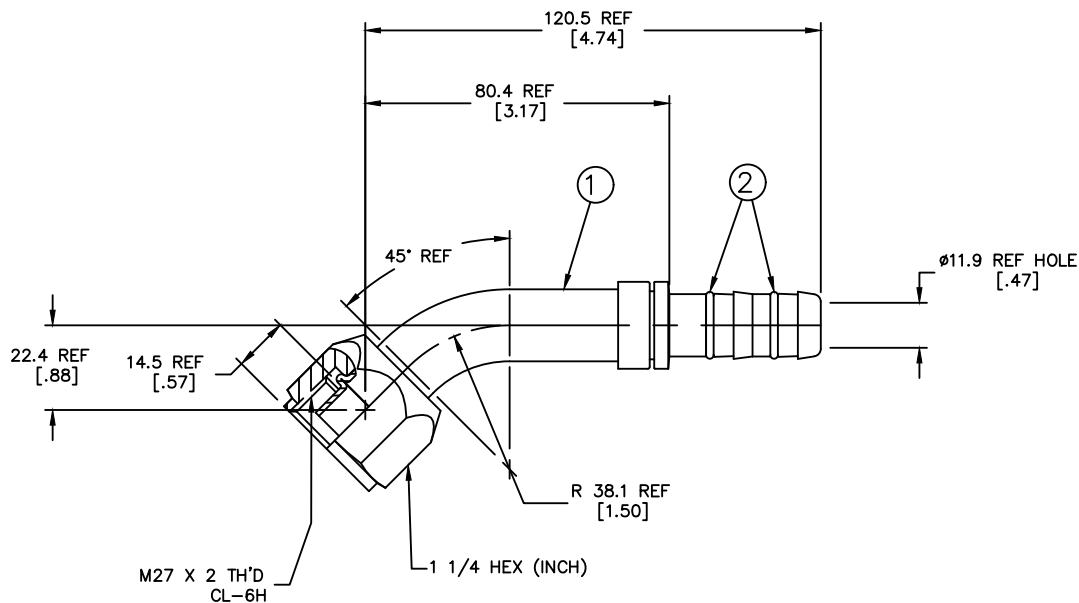


REVISIONS			
REV	DESCRIPTION	DATE	APPROVED



METRIC

FJ3192-02-1212S	FJ2192-02-1212S	1F40106-12		
AEROQUIP PART NUMBER	① NIPPLE ASSEMBLY	② O'RINGS (2 REQ'D)		
LIST OF MATERIALS				
ITEM NO.	MATERIAL	DRAWN S MYERS	FLUID CONVEYANCE DIVISION DRAWING TITLE FITTING ASSEMBLY 45° FEMALE O'RING PILOT (LONG) GH134 HOSE	
1	STEEL	CHECKED R ICKES		
2	HNBR	APPROVED R RUTSCHILLING		
		RELEASE DATE 2000-08-29		
		EN-F20587	SIZE A2	DRAWING NUMBER FJ3192-02-1212S
		RPS-7579	REV	
		THIRD ANGLE PROJECTION	DIST U	CAGE CODE 01276
		ITEM TYPE: D TSA	SHEET NO	*

- DIMENSIONS ARE IN MILLIMETERS [INCHES].
- LUBRICATE O'RINGS AND ASSEMBLE TO NIPPLE AS SHOWN.

DWG. NO. FJ3192-02-1212S