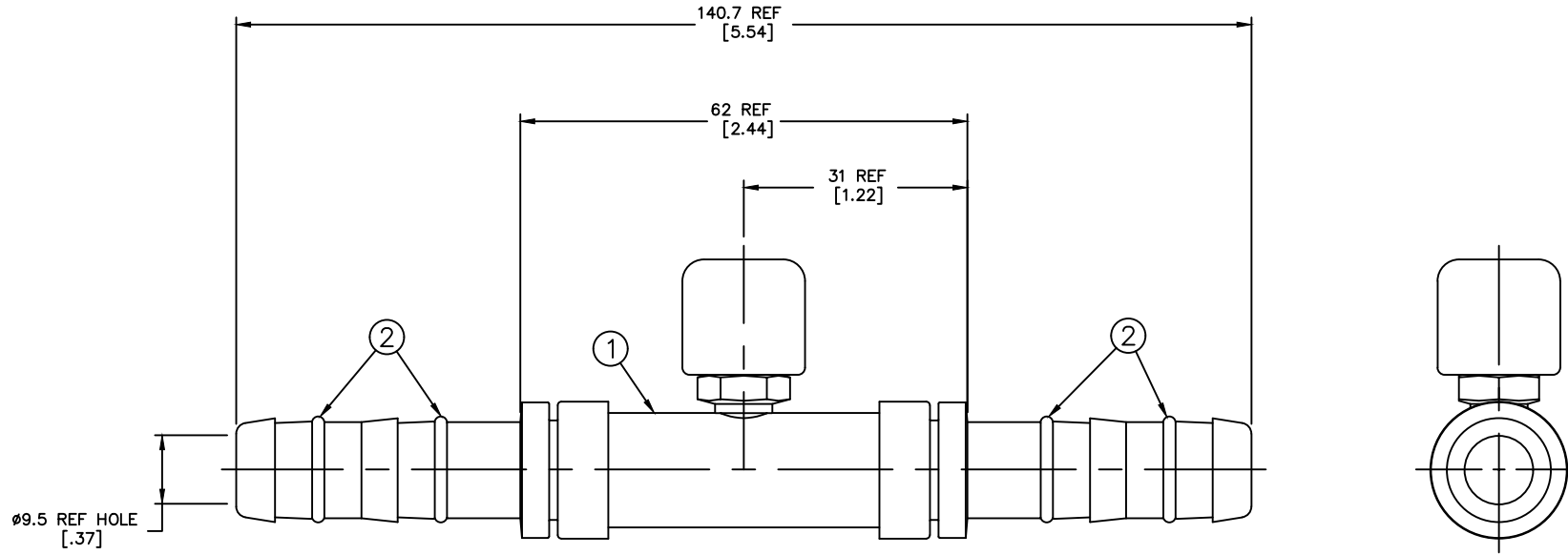


THE REPRODUCTION, DISTRIBUTION AND UTILIZATION OF THIS DOCUMENT AS WELL AS THE COMMUNICATION OF ITS CONTENTS TO OTHERS WITHOUT EXPLICIT AUTHORIZATION IS PROHIBITED. OFFENDERS WILL BE HELD LIABLE FOR THE PAYMENT OF DAMAGES. ALL RIGHT RESERVED IN THE EVENT OF THE GRANT OF A PATENT, UTILITY MODEL OR DESIGN. (PER ISO 10166)

REVISIONS			
REV	DESCRIPTION	DATE	APPROVED



METRIC

- 2. DIMENSIONS ARE IN MILLIMETERS [INCHES].
- 1. PROCESS AS FOLLOWS:
  - (a) LUBRICATE O'RINGS AND ASSEMBLE ON NIPPLES AS SHOWN.

FJ3171-1010S	FJ2171-1010S	1F40106-10			
AEROQUIP PART NUMBER	① NIPPLE ASSEMBLY	② O'RING (4 REQ'D)			
LIST OF MATERIALS					
ITEM NO.	MATERIAL	DRAWN	FLUID CONVEYANCE DIVISION		
1	STEEL	R. KELLY			
2	HNBR	CHECKED R. D. WEBB			
		APPROVED R.D.GARRETT			
		RELEASE DATE 2000-07-24			
		EN-F20160	SIZE A2	DRAWING NUMBER FJ3171-1010S	REV
		DP-1256	SCALE 2/1	DIST U	CAGE CODE 01276
		THIRD ANGLE PROJECTION			SHEET
		ITEM TYPE/TZA			

DWG. NO. FJ3171-1010S SH. REV.