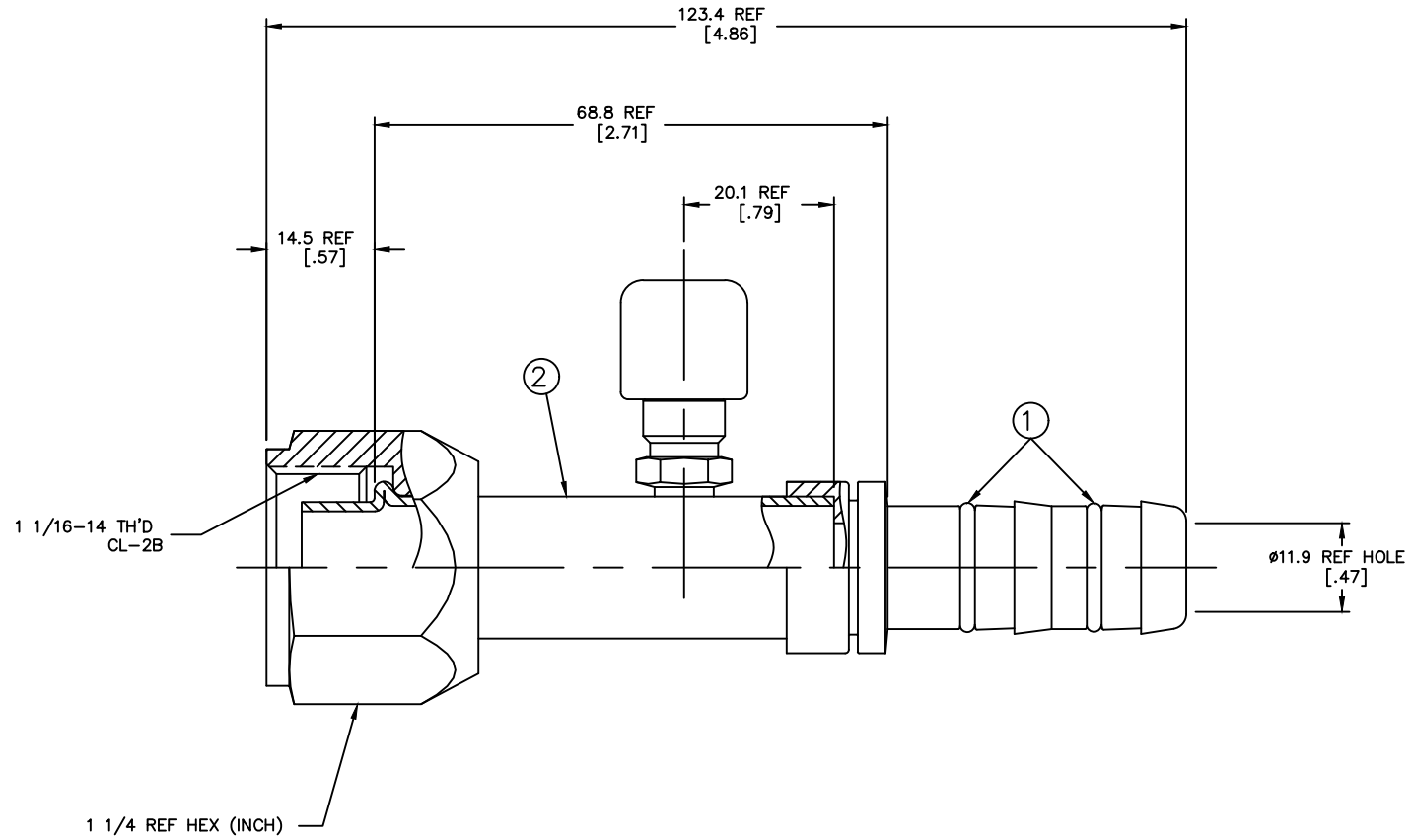


THE REPRODUCTION, DISTRIBUTION AND UTILIZATION OF THIS DOCUMENT AS WELL AS THE COMMUNICATION OF ITS CONTENTS TO OTHERS WITHOUT EXPLICIT AUTHORIZATION IS PROHIBITED. OFFENDERS WILL BE HELD LIABLE FOR THE PAYMENT OF DAMAGES. ALL RIGHT RESERVED IN THE EVENT OF THE GRANT OF A PATENT, UTILITY MODEL OR DESIGN. (PER ISO 10000)

REVISIONS			
REV	DESCRIPTION	DATE	APPROVED
A	(1) O-RING WAS "FJ40104-12"	2000-11-10 RDW	EN-F20860 DP-24901



METRIC

FJ3162-1212S	1F40106-12	FJ2162-1212S		
AEROQUIP PART NUMBER	① O-RING (2 REQ'D)	② NIPPLE ASSEMBLY		
LIST OF MATERIALS				
ITEM NO.	MATERIAL	DRAWN S. BOHN	FLUID CONVEYANCE DIVISION	
1	HNBR	CHECKED D. BAILEY	DRAWING TITLE	
2	STEEL	APPROVED D. BAILEY	FITTING ASSEMBLY	
		RELEASE DATE 2000-11-02	FEMALE O-RING PILOT (LONG) WITH	
		EN-F20813	7/16-20 SWITCH PORT, GH134 HOSE	
		DP-1256	SIZE A2	DRAWING NUMBER FJ3162-1212S
		THIRD ANGLE PROJECTION	SCALE 2:1	DIST U
		ITEM TYPED TSA	CAGE CODE 01276	SHEET A

- 2. DIMENSIONS ARE IN MILLIMETERS [INCHES].
- 1. LUBRICATE O-RINGS AND ASSEMBLE TO NIPPLE AS SHOWN.

DWG. NO. FJ3162-1212S REV. A SH. A