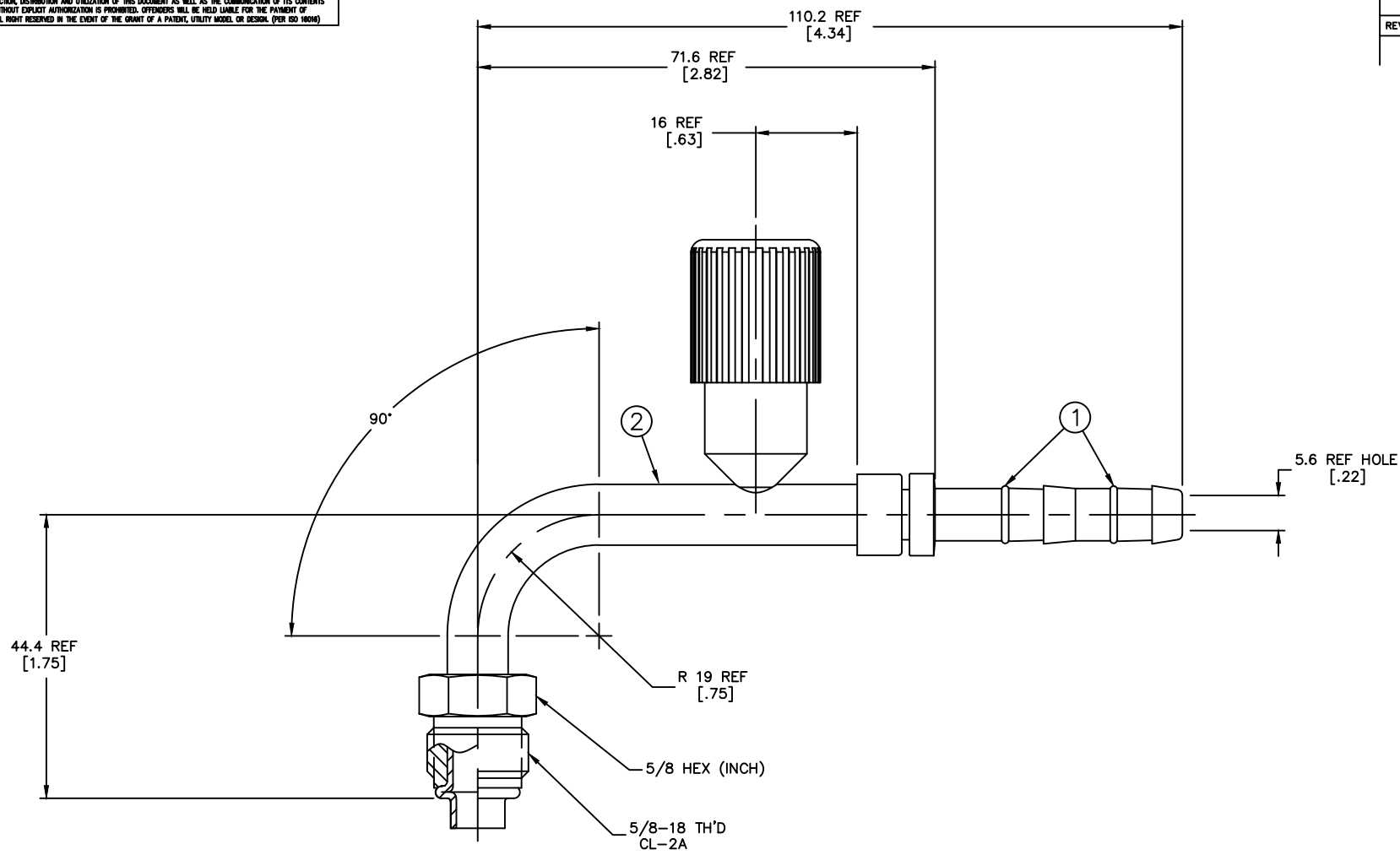


THE REPRODUCTION, DISTRIBUTION AND UTILIZATION OF THIS DOCUMENT AS WELL AS THE COMMUNICATION OF ITS CONTENTS TO OTHERS WITHOUT EXPLICIT AUTHORIZATION IS PROHIBITED. OFFENDERS WILL BE HELD LIABLE FOR THE PAYMENT OF DAMAGES. ALL RIGHT RESERVED IN THE EVENT OF THE GRANT OF A PATENT, UTILITY MODEL OR DESIGN. (PER ISO 10000)

REVISIONS			
REV	DESCRIPTION	DATE	APPROVED



METRIC

2. DIMENSIONS ARE IN MILLIMETERS [INCHES].
 1. LUBRICATE O-RINGS AND ASSEMBLE TO NIPPLE AS SHOWN.

FJ3134-01-0606S	1F40106-06	FJ2134-01-0606S		
AEROQUIP PART NUMBER	① O-RING (2 REQ'D)	② NIPPLE ASSEMBLY		
LIST OF MATERIALS				
ITEM NO.	MATERIAL	DRAWN R. KELLY CHECKED R. D. WEBB	FLUID CONVEYANCE DIVISION DRAWING TITLE FITTING ASSEMBLY 90°, MALE O-RING PILOT (SHORT), WITH HIGH SIDE CHARGE PORT, GH134 HOSE	
1	HNBR	APPROVED R.D.GARRETT RELEASE DATE 2000-06-15 EN-20184 DP-1256		
2	STEEL	THIRD ANGLE PROJECTION	SIZE	DRAWING NUMBER
		ITEM TYPED TSA	FJ3134-01-0606S	REV
		SCALE 2/1	DIST U	CAGE CODE 01276
				SHEET

DWG. NO. FJ3134-01-0606S