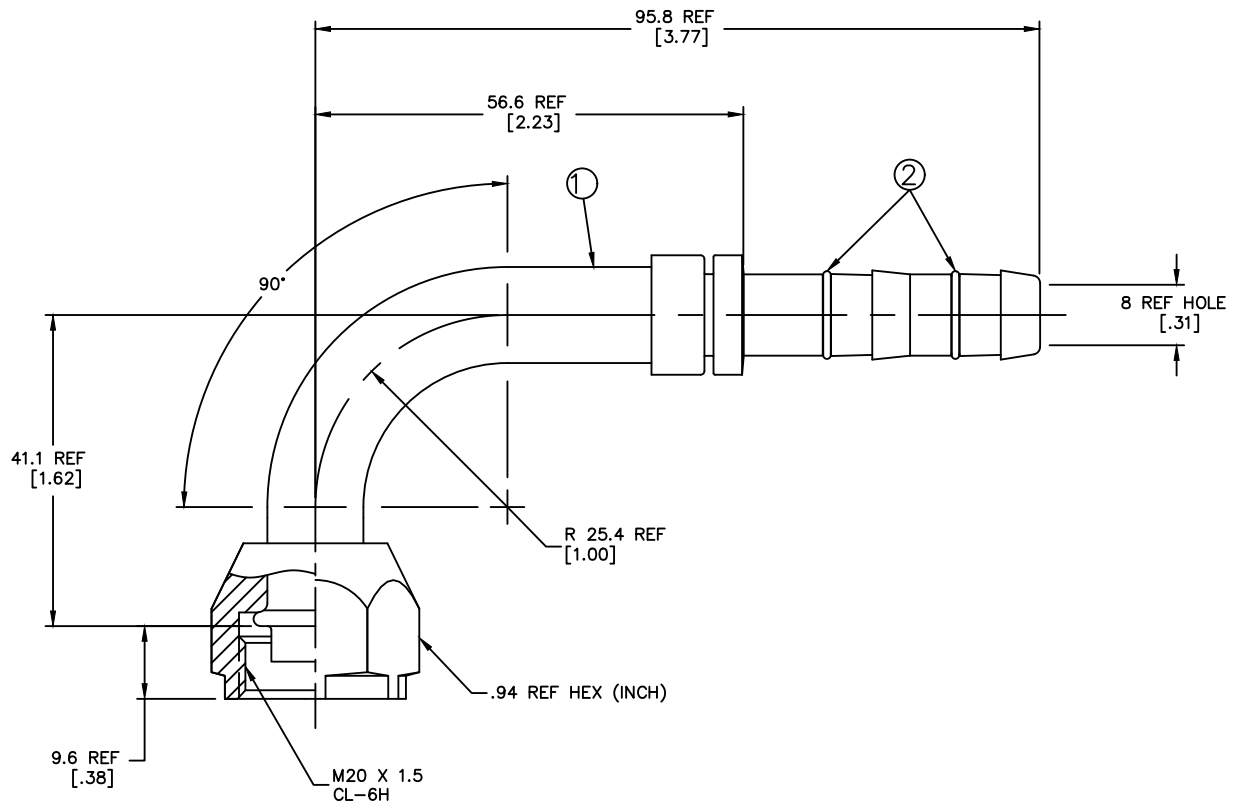


REVISIONS			
REV	DESCRIPTION	DATE	APPROVED



- 2. DIMENSIONS ARE IN MILLIMETERS [INCHES].
- 1. LUBRICATE O'RINGS AND ASSEMBLE TO NIPPLE AS SHOWN.

FJ3111-01-0808S	FJ2111-01-0808S	1F40106-08		
AEROQUIP PART NUMBER	① NIPPLE ASSEMBLY	② O'RING (2 REQ'D)		
LIST OF MATERIALS				
ITEM NO.	MATERIAL	DRAWN W.R.HYDE	FLUID CONVEYANCE DIVISION DRAWING TITLE FITTING ASSEMBLY 90° FEMALE O'RING PILOT (LONG) GH134 HOSE	
1	STEEL	CHECKED J. BAHNSEN		
2	HNBR	APPROVED J. BAHNSEN		
		RELEASE DATE 2000-01-12		
		EN-F19598	SIZE A2	DRAWING NUMBER FJ3111-01-0808S
		DP-1256	SCALE 2:1	DIST U
		THIRD ANGLE PROJECTION	CAGE CODE 01276	SHEET NO
		ITEM TYPE D TSA		

DWG. NO. FJ3111-01-0808S SH. REV.