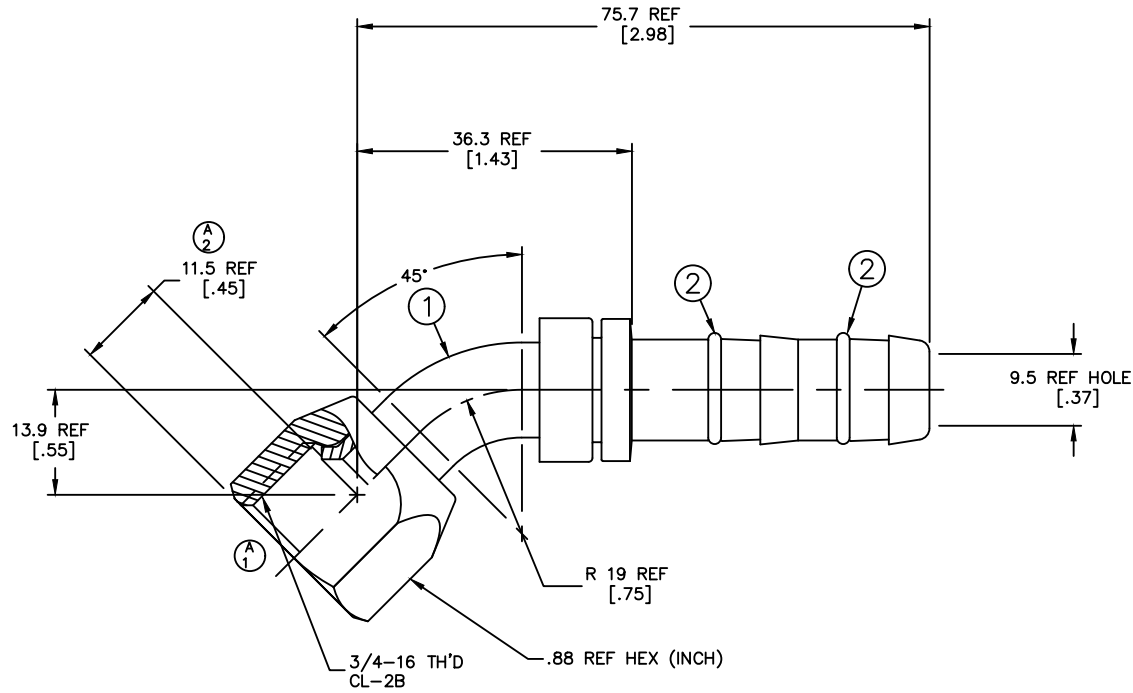


REVISIONS			
REV	DESCRIPTION	DATE	APPROVED
A	(1) REMOVED 45° DIMENSION (2) 11.5 REF [.45] WAS 13.2 REF [.52]	2000-01-27 JJB	EN-F19668 DP-1256



METRIC

2. DIMENSIONS ARE IN MILLIMETERS [INCHES].

1. LUBRICATE O'RINGS AND ASSEMBLE ON NIPPLE AS SHOWN.

FJ3059-04-0810S	FJ2059-04-0810S	1F40106-10		
AEROQUIP PART NUMBER	① NIPPLE ASSEMBLY	② O'RING (2 REQUIRED)		
LIST OF MATERIALS				
ITEM NO.	MATERIAL	DRAWN I. HARTFORD	FLUID CONVEYANCE DIVISION DRAWING TITLE FITTING ASSEMBLY 45°, SAE 45° SWIVEL, GH134 HOSE	
1	STEEL	CHECKED R. D. GARRETT		
2	HNBR	APPROVED R. D. GARRETT		
		RELEASE DATE 1999-12-21		
		EN-F19523 DP-1256	SIZE A2	DRAWING NUMBER FJ3059-04-0810S
		THIRD ANGLE PROJECTION	SCALE 2/1	DIST U
		ITEM TYPE: D T F A	CAGE CODE 01276	SHEET NO

DWG. NO. FJ3059-04-0810S REV. A SH. 1