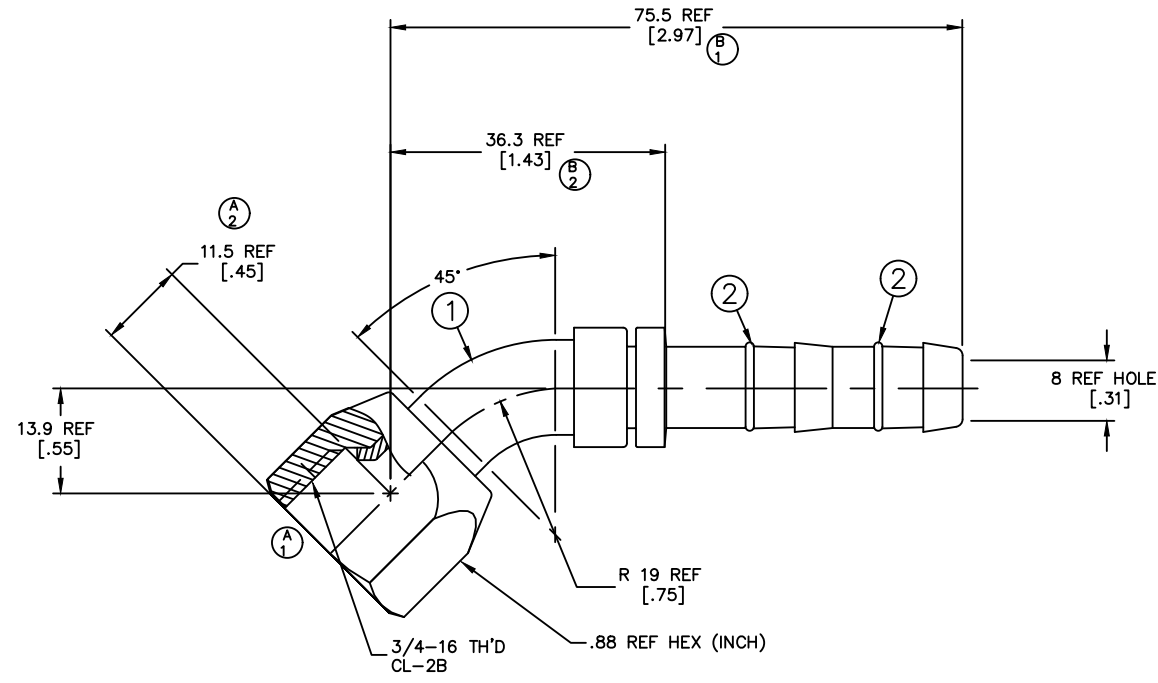


REVISIONS			
REV	DESCRIPTION	DATE	APPROVED
A	(1) REMOVED 45° DIMENSION (2) 11.5 REF [.45] WAS 13.2 REF [.52]	2000-01-27 JJB	EN-F19668 DP-1256
B	(1) 75.5 REF [2.97] WAS 75.5 REF [.297] (2) 36.3 REF [1.43] WAS 36.3 REF [.297]	2000-11-30 JJB	EN-F21009 DP-1256



METRIC

- 2. DIMENSIONS ARE IN MILLIMETERS [INCHES].
- 1. LUBRICATE O-RINGS AND ASSEMBLE ON NIPPLE AS SHOWN.

FJ3059-03-0808S	FJ2059-03-0808S	1F40106-08			
AEROQUIP PART NUMBER	① NIPPLE ASSEMBLY	② O-RING (2 REQUIRED)			
LIST OF MATERIALS					
ITEM NO.	MATERIAL	DRAWN I. HARTFORD	FLUID CONVEYANCE DIVISION DRAWING TITLE FITTING ASSEMBLY 45°, SAE 45° SWIVEL, GH134 HOSE		
1	STEEL	CHECKED R. D. GARRETT			
2	HNBR	APPROVED R. D. GARRETT			
		RELEASE DATE 1999-12-21			
		EN-F19523 DP-1256	SIZE A2	DRAWING NUMBER FJ3059-03-0808S	REV B
		THIRD ANGLE PROJECTION	SCALE 2/1	DIST U	CAGE CODE 01276
		ITEM TYPE: D I F A	SHEET NO		

DWG. NO. FJ3059-03-0808S REV. B SH.