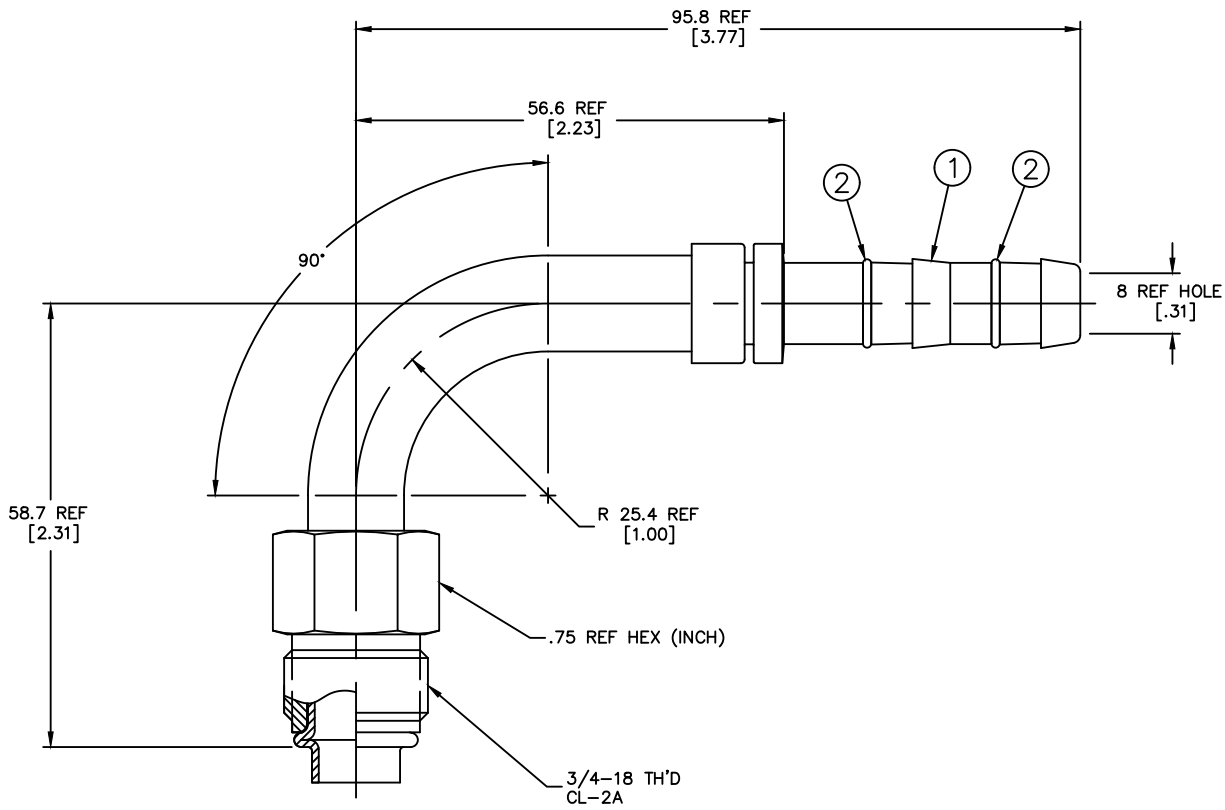


REVISIONS			
REV	DESCRIPTION	DATE	APPROVED



METRIC

- 2. DIMENSIONS ARE IN MILLIMETERS [INCHES].
- 1. LUBRICATE O-RINGS AND ASSEMBLE TO NIPPLE AS SHOWN.

FJ3019-04-0808S	FJ2019-04-0808S	1F40106-08		
AEROQUIP PART NUMBER	① NIPPLE ASSEMBLY	② O-RING (2 REQUIRED)		
LIST OF MATERIALS				
ITEM NO.	MATERIAL	DRAWN I. HARTFORD	FLUID CONVEYANCE DIVISION DRAWING TITLE <b>FITTING ASSEMBLY</b> 90°, MALE O-RING PILOT (SHORT) CH134 HOSE	
1	STEEL	CHECKED R. D. GARRETT		
2	HNBR	APPROVED R. D. GARRETT		
		RELEASE DATE 1999-12-27		
		EN-F19521	SIZE A2	DRAWING NUMBER FJ3019-04-0808S
		DP-1256	SCALE 2/1	DIST U
		THIRD ANGLE PROJECTION	CAGE CODE 01276	SHEET NO
		ITEM TYPE TSA		

DWG. NO. FJ3019-04-0808S SH. REV.