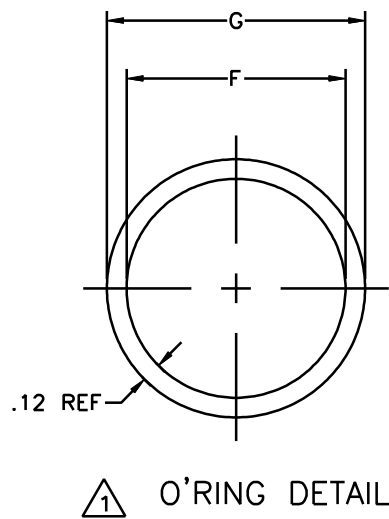
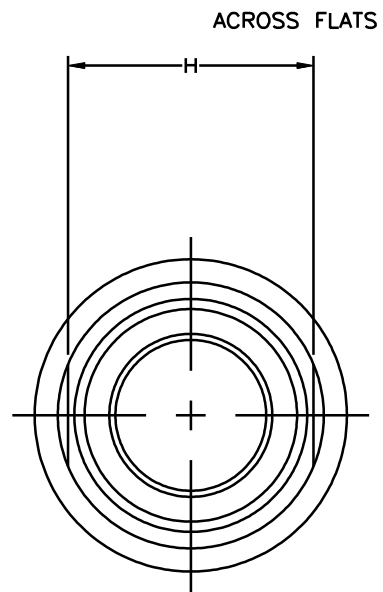
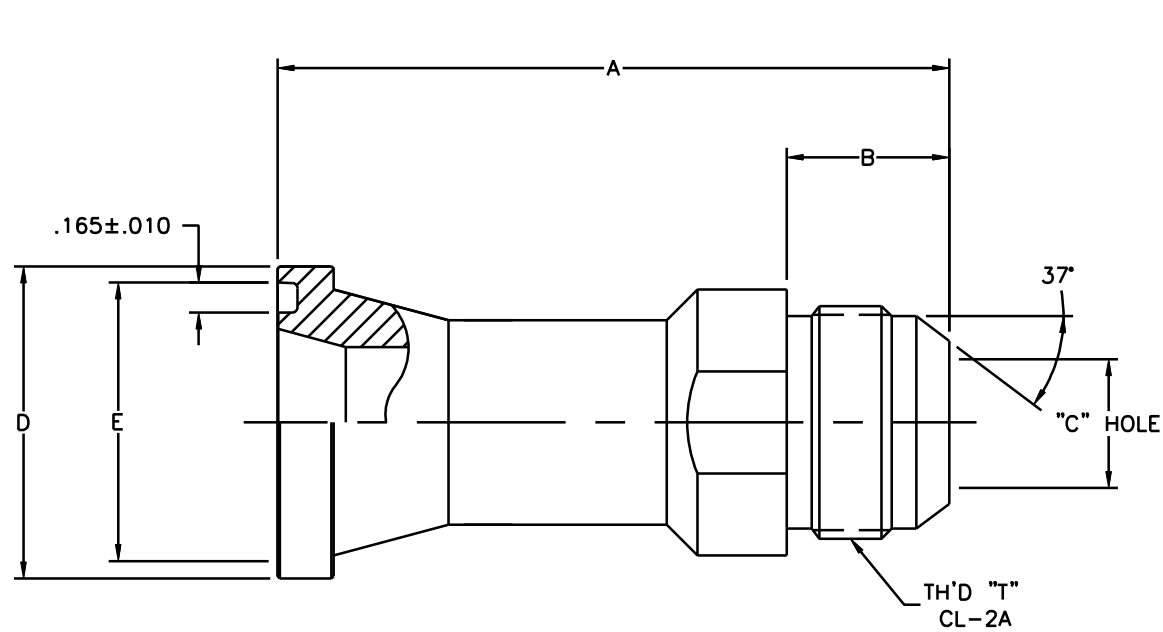


AEROQUIP PART NUMBER	TH'D "T"	A REF	B REF	C REF	D REF	E	F REF	G REF	H REF
FF5239-1212S	1 1/16-12	3.17	.86	.61	1.50	1.2525±.0025	1.00	1.25	1.12
FF5239-1616S	1 5/16-12	3.76	.91	.84	1.75	1.5625±.0025	1.31	1.56	1.38
FF5239-2016S	1 5/16-12	3.76	.91	.84	2.00	1.7525±.0025	1.50	1.75	1.38
FF5239-2020S	1 5/8-12	3.84	.96	1.08	2.00	1.7525±.0025	1.50	1.75	1.69
FF5239-2416S	1 5/16-12	3.76	.91	.84	2.38	2.120±.005	1.88	2.12	1.38
FF5239-2424S	1 7/8-12	4.67	1.08	1.31	2.38	2.120±.005	1.88	2.12	2.00

REVISIONS			
REV.	DESCRIPTION	DATE	APPROVED
•	•	•	•



△ O-RING DETAIL

- 3. MATERIAL: STEEL.
- 2. SPLIT FLANGE 449-74446-SIZE USED ON THIS ASSEMBLY MUST BE ORDERED SEPARATELY. (2 REQUIRED)
- 1. O-RING SHOWN FOR REFERENCE ONLY. SUPPLIED BUT NOT FURNISHED WITH ASSEMBLY.

DRAWN I. HARTFORD	DATE 1999-01-05	AEROQUIP CORPORATION Industrial Products Group Maumee, Ohio, U.S.A.
CHECKED R. D. GARRETT	DATE 1999-01-11	
APPROVED R. D. GARRETT	DATE 1999-01-11	DRAWING TITLE TUBE ADAPTER SPLIT FLANGE TYPE (CODE 61) TO SAE 37° FLARE
RELEASED EN-F18513	DATE 1999-01-11	SIZE (CAGE) CODE NO. DRAWING NUMBER C 01276 FF5239
PROJECT NO. DP-1246	APC NO.	
APPROVED DATE 1999-01-11		
ITEM TYPE MBAA		SHEET 1 OF 2

DWG. NO. FF5239 SH. 1 REV.