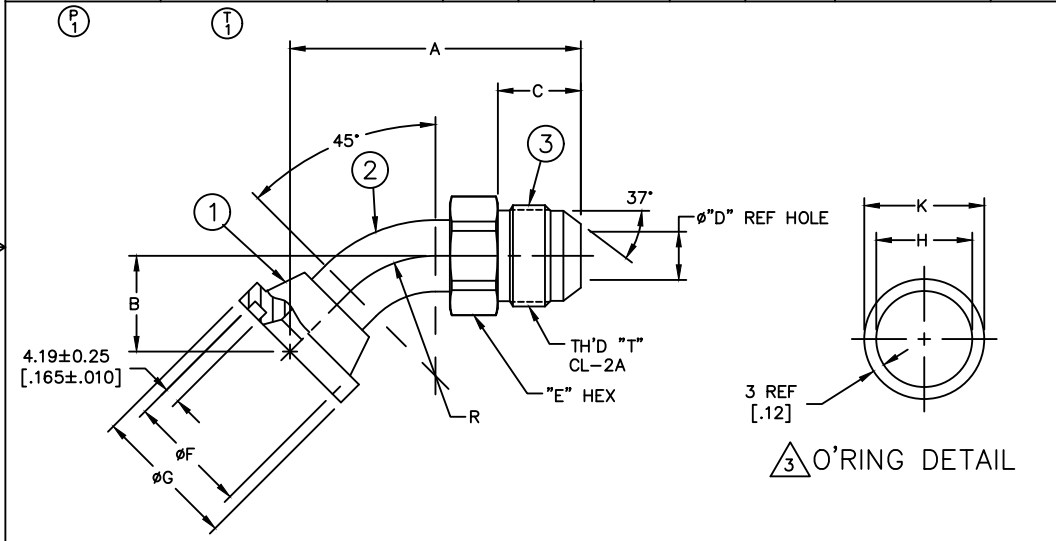


| PART NUMBER  | WEATHERHEAD CATALOG NUMBER | "T" THREAD | A<br>±1.6<br>[±.062] | B<br>±1.6<br>[±.062] | C<br>REF       | D<br>REF       | E<br>(INCH)<br>HEX | F                            | G<br>REF       | H<br>REF       | K<br>REF       | R<br>REF       | PROCESS PER NOTE # |
|--------------|----------------------------|------------|----------------------|----------------------|----------------|----------------|--------------------|------------------------------|----------------|----------------|----------------|----------------|--------------------|
| FF5238-1212S | -                          | 1 1/16-12  | 78.5<br>[3.091]      | 25.4<br>[1.000]      | 21.8<br>[.86]  | 14.2<br>[.56]  | 1 1/8              | 31.81±0.06<br>[1.2525±.0025] | 38.1<br>[1.50] | 25.4<br>[1.00] | 31.8<br>[1.25] | 31.8<br>[1.25] | 1                  |
| FF5238-1616S | -                          | 1 5/16-12  | 91.4<br>[3.597]      | 26.9<br>[1.060]      | 23.1<br>[.91]  | 19.3<br>[.76]  | 1 3/8              | 39.69±0.06<br>[1.5625±.0025] | 44.4<br>[1.75] | 33.3<br>[1.31] | 39.6<br>[1.56] | 38.1<br>[1.50] | 1                  |
| FF5238-1620S | -                          | 1 5/8-12   | 92.6<br>[3.644]      | 26.9<br>[1.060]      | 24.4<br>[.96]  | 19.3<br>[.76]  | 1 11/16            | 39.69±0.06<br>[1.5625±.0025] | 44.4<br>[1.75] | 33.3<br>[1.31] | 39.6<br>[1.56] | 38.1<br>[1.50] | 1                  |
| FF5238-2016S | -                          | 1 5/16-12  | 91.4<br>[3.597]      | 26.9<br>[1.060]      | 23.1<br>[.91]  | 19.3<br>[.76]  | 1 3/8              | 44.51±0.06<br>[1.7525±.0025] | 50.8<br>[2.00] | 38.1<br>[1.50] | 44.4<br>[1.75] | 38.1<br>[1.50] | 1                  |
| FF5238-2020S | 54520                      | 1 5/8-12   | 98<br>[3.858]        | 29.2<br>[1.150]      | 24.4<br>[.96]  | 25.7<br>[1.01] | 1 11/16            | 44.51±0.06<br>[1.7525±.0025] | 50.8<br>[2.00] | 38.1<br>[1.50] | 44.4<br>[1.75] | 44.4<br>[1.75] | 2                  |
| FF5238-2420S | -                          | 1 5/8-12   | 98<br>[3.858]        | 29.2<br>[1.150]      | 24.4<br>[.96]  | 25.7<br>[1.01] | 1 11/16            | 53.85±0.12<br>[2.120±.005]   | 60.5<br>[2.38] | 47.8<br>[1.88] | 53.8<br>[2.12] | 44.4<br>[1.75] | 2                  |
| FF5238-2424S | -                          | 1 7/8-12   | 117.1<br>[4.612]     | 35.8<br>[1.410]      | 27.4<br>[1.08] | 30.2<br>[1.19] | 2                  | 53.85±0.12<br>[2.120±.005]   | 60.5<br>[2.38] | 47.8<br>[1.88] | 53.8<br>[2.12] | 50.8<br>[2.00] | 2                  |
| FF5238-3232S | 54532                      | 2 1/2-12   | 153.3<br>[6.035]     | 50.8<br>[2.000]      | 33.9<br>[1.33] | 45.2<br>[1.78] | 2 9/16             | 63.37±0.12<br>[2.495±.005]   | 71.4<br>[2.81] | 54.9<br>[2.16] | 63.2<br>[2.49] | 76.2<br>[3.00] | 2                  |

| REVISIONS |   |                          |                       |
|-----------|---|--------------------------|-----------------------|
| REV       | DESCRIPTION   | DATE                     | APPROVED              |
| P         | REDRAWN - UPDATED TO DANFOSS FORMAT<br>1) ADDED FF5238-3232S                        | 2004-12-28<br>W.R.H./BAT | EN-F27099<br>DP-0117  |
| R         | 1) 2 9/16 HEX WAS 2   | 2005-01-19<br>BAT/WRH    | EN-F27239<br>DP-24901 |
| S         | 1) NOTE #1, "67P2" WAS "67P13".   | 2005-03-21<br>BAT/DAS    | EN-F27771<br>DP-24901 |
| T         | 1) ADDED WEATHERHEAD CATALOG NUMBERS 54520 TO FF5238-2020S & 54532 TO FF5238-3232S. | 2005-05-19<br>K.B.M./BAL | EN-F27823<br>DP-0117  |
| U         | 1) FINISH WAS ZINC PLATE PER ACES 2751  | 2018-12-21<br>ARK/PSW    | CO-0179205            |



|              |              |                |              |  |  |
|--------------|--------------|----------------|--------------|--|--|
| FF5238-3232S | FC1101-3232S | FC1106-32-501S | FF1505-3232S |  |  |
| FF5238-2424S | FC1101-2424S | FC1106-24-001S | FF1505-2424S |  |  |
| FF5238-2420S | FC1101-2420S | FC1106-20-001S | FF1505-2020S |  |  |
| FF5238-2020S | FC1101-2020S | FC1106-20-001S | FF1505-2020S |  |  |
| FF5238-2016S | FC1101-2016S | FC1106-16-501S | FF1505-1616S |  |  |
| FF5238-1220S | FC1101-1616S | FC1106-16-501S | FF1505-1620S |  |  |
| FF5238-1616S | FC1101-1616S | FC1106-16-501S | FF1505-1616S |  |  |
| FF5238-1212S | FC1101-1212S | FC1106-12-001S | FF1505-1212S |  |  |
| PART NUMBER  | 1 SHOULDER   | 2 ELBOW        | 3 ADAPTER    |  |  |

5. DIMENSIONS ARE IN MILLIMETERS [INCH].
4. SPLIT FLANGE 107-74446-SIZE USED ON THIS ASSEMBLY MUST BE ORDERED SEPARATELY. (2 REQUIRED)
3. O-RING SHOWN FOR REFERENCE ONLY. SUPPLIED BUT NOT FURNISHED WITH ASSEMBLY.
2. PROCESS AS FOLLOWS:  
 (a) BRAZE PER ACES 67P13.  
 (b) ZINC PLATE PER ES 2751DB. (U)
1. PROCESS AS FOLLOWS:  
 (a) BRAZE PER ACES 67P2. (S)  
 (b) ZINC PLATE PER ES 2751DB. (U)

METRIC

LIST OF MATERIALS

| ITEM NO.               | MATERIAL | DRAWN<br>W.R.HYDE<br>CHECKED<br>B. THOMAS | FLUID CONVEYANCE DIVISION                                |                          |
|------------------------|----------|---|--|--------------------------|
| 1                      | STEEL    | APPROVED<br>B. THOMAS                     | DRAWING TITLE<br>ELBOW ASSEMBLY                          |                          |
| 2                      | STEEL    | RELEASE DATE<br>2005-01-04                | 45° SAE 37° MALE FLARE TO<br>SPLIT FLANGE TYPE (CODE 61) |                          |
| 3                      | STEEL    | EN-F27099<br>DP-0117                      | SIZE<br>A2   | DRAWING NUMBER<br>FF5238 |
| THIRD ANGLE PROJECTION |          | SCALE<br>NONE                             | DIST<br>U  | CAGE CODE<br>01276       |
|                        |          | REVISIONS                                 | REV<br>U   | SHEET                    |

THE REPRODUCTION, DISTRIBUTION AND UTILIZATION OF THIS DOCUMENT AS WELL AS THE COMMUNICATION OF ITS CONTENTS TO OTHERS WITHOUT EXPLICIT AUTHORIZATION IS PROHIBITED. OFFENDERS WILL BE HELD LIABLE FOR THE PAYMENT OF DAMAGES. ALL RIGHT RESERVED IN THE EVENT OF THE GRANT OF A PATENT, UTILITY MODEL OR DESIGN. (PER ISO 16016)