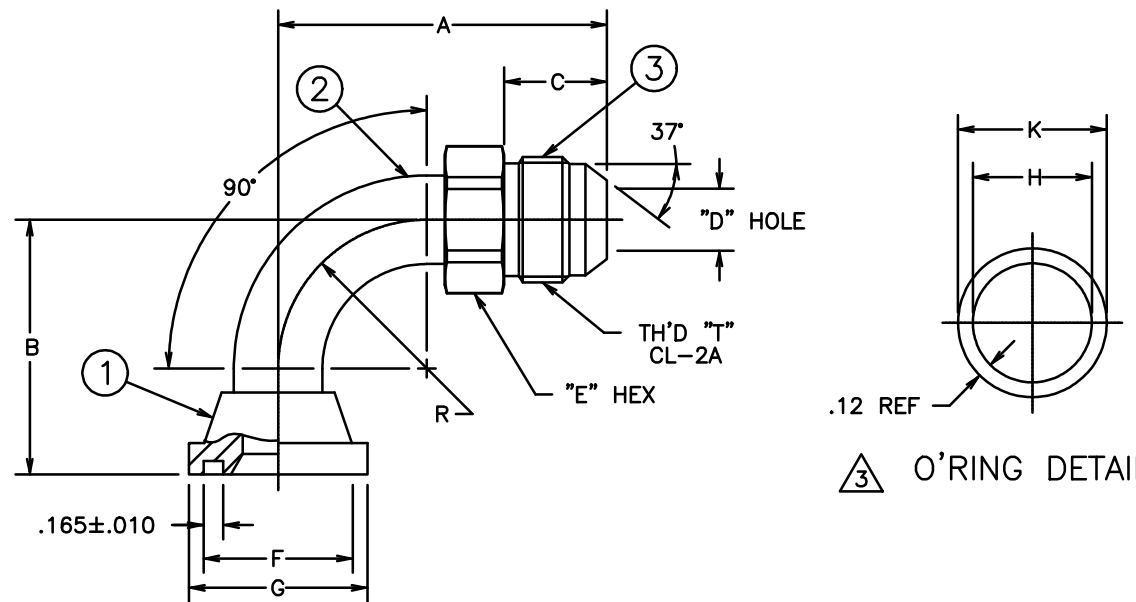


AEROQUIP PART NUMBER	WEATHERHEAD CATALOG NUMBER	TH'D T	A ±.062	B ±.062	C REF	D REF	E REF	F	G REF	H REF	K REF	R REF	PROCESS PER NOTE
FF5162-0808S		3/4-16	2.157	1.625	.66	.37	.81	1.0025±.0025	1.19	.75	1.00	.75	△
FF5162-1212S	59012	1 1/16-12	2.807	2.130	.86	.56	1.12	1.2525±.0025	1.50	1.00	1.25	1.25	△
FF5162-1612S		1 1/16-12	2.807	2.130	.86	.56	1.12	1.5625±.0025	1.75	1.31	1.56	1.25	△
FF5162-1616S	59016	1 5/16-12	3.411	2.375	.91	.76	1.38	1.5625±.0025	1.75	1.31	1.56	1.50	△
FF5162-1620S	59020X16	1 5/8-12	3.458	2.375	.96	.76	1.69	1.5625±.0025	1.75	1.31	1.56	1.50	△
FF5162-2016S	59016X20	1 5/16-12	3.411	2.375	.91	.76	1.38	1.7525±.0025	2.00	1.50	1.75	1.50	△
FF5162-2020S	59020	1 5/8-12	3.708	2.625	.96	1.01	1.69	1.7525±.0025	2.00	1.50	1.75	1.75	△
FF5162-2416S		1 5/16-12	3.411	2.375	.91	.76	1.38	2.120±.005	2.38	1.88	2.12	1.50	△
FF5162-2420S		1 5/8-12	3.708	2.625	.96	1.01	1.69	2.120±.005	2.38	1.88	2.12	1.75	△
FF5162-2424S	59024	1 7/8-12	4.333	3.125	1.08	1.19	2.00	2.120±.005	2.38	1.88	2.12	2.00	△
FF5162-3232S	59032	2 1/2-12	5.708	4.500	1.33	1.62	2.56	2.495±.005	2.81	2.25	2.50	3.00	△

REVISIONS			
REV.	DESCRIPTION	DATE	APPROVED
Y	REDRAWN ON CAD - LAST REV. "W"	4-6-92	EN-F12966 ER-F12966
Z	ADDED WEATHERHEAD CATALOG NUMBERS	2004-12-27 LW/B.A.T.	EN-F27055 DP-0117
AA	1) ADDED WEATHERHEAD CATALOG NUMBER 59032 TO P/N FF5162-3232S.	2005-05-19 K.B.M./BAL	EN-F27824 DP-0117

① ②



△ ③ O-RING DETAIL

AEROQUIP PART NUMBER	WEATHERHEAD CATALOG NUMBER	① SHOULDER	② ELBOW	③ ADAPTER
FF5162-3232S		FC1101-3232S	FC1109-32-501S	FF1505-3232S
FF5162-2424S	59024	FC1101-2424S	FC1109-24-001S	FF1505-2424S
FF5162-2420S		FC1101-2420S	FC1109-20-001S	FF1505-2020S
FF5162-2416S		FC1101-2416S	FC1109-16-501S	FF1505-1616S
FF5162-2020S	59020	FC1101-2020S	FC1109-20-001S	FF1505-2020S
FF5162-2016S	59016X20	FC1101-2016S	FC1109-16-501S	FF1505-1616S
FF5162-1620S	59020X16	FC1101-1616S	FC1109-16-501S	FF1505-1620S
FF5162-1616S	59016	FC1101-1616S	FC1109-16-501S	FF1505-1616S
FF5162-1612S		FC1101-1612S	FC1109-12-001S	FF1505-1212S
FF5162-1212S	59012	FC1101-1212S	FC1109-12-001S	FF1505-1212S
FF5162-0808S		FC1101-0808S	FC1109-08-001S	FF1505-0808S

LIST OF MATERIALS

ITEM NO.	MATERIAL
1	STEEL
2	STEEL
3	STEEL

DRAWN R.D.GARRETT CHECKED R.D.GARRETT APPROVED R.D.GARRETT RELEASE DATE 1992-04-06 EN-F12966 ER-F12966 THIRD ANGLE PROJECTION NOTICE TO PERSONS RECEIVING THIS DRAWING AND / OR TECHNICAL INFORMATION Eaton Corporation claims proprietary rights in the information disclosed hereon. This document is issued in confidence and is not to be reproduced or used to manufacture anything shown hereon without the written permission of the Eaton Corporation.	<b>EATON</b> HYDRAULICS OPERATIONS TECHNICAL CENTER MAUMEE, OHIO, U.S.A. DRAWING TITLE <b>ELBOW ASSEMBLY</b> 90°, SAE 37° MALE FLARE TO SPLIT FLANGE TYPE (CODE 61) SIZE A2 DRAWING NUMBER FF5162 REV AA SCALE NONE DIST U CAGE CODE 01276 SHEET
--	--

CONVERTED DRAWING CADAM to AutoCAD 8/98

REV. AA  
SH.  
FF5162  
DWG. NO.

4. SPLIT FLANGE 107-74446-SIZE USED ON THIS ASSEMBLY MUST BE ORDERED SEPARATELY. (2 REQUIRED)

△ ③ O-RING SHOWN FOR REFERENCE ONLY. SUPPLIED BUT NOT FURNISHED WITH ASSEMBLY.

△ ② PROCESS AS FOLLOWS:  
(a) BRAZE PER ACES 67P13.  
(b) ZINC PLATE PER ACES 16P47.

△ ① PROCESS AS FOLLOWS:  
(a) BRAZE PER ACES 67P2.  
(b) ZINC PLATE PER ACES 16P47.