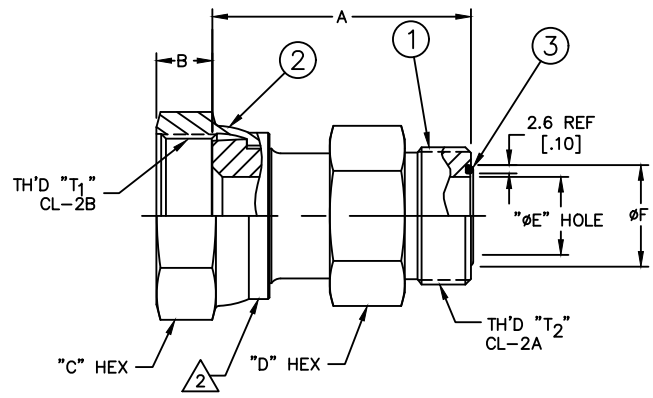
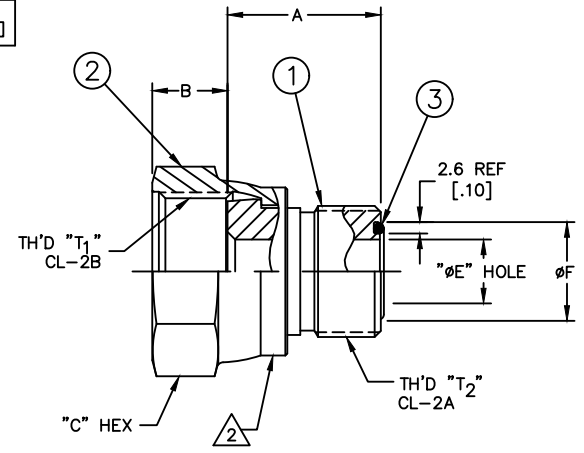


PART NUMBER	STYLE	TH'D "T ₁ "	TH'D "T ₂ "	A REF	B REF	C (INCH)	D (INCH)	E REF	F REF
FF2281T0406S	II	11/16-16	9/16-18	19.6 [.77]	9.7 [.38]	13/16	-	4.3 [.17]	11 [.43]
FF2281T0608S	II	13/16-16	11/16-16	22.4 [.88]	11 [.43]	15/16	-	6.6 [.26]	12.8 [.50]
FF2281T1012S	II	1 3/16-12	1-14	29.5 [1.16]	14.5 [.57]	1 3/8	-	12.2 [.48]	19.2 [.76]
FF2281T1216S	III	1 7/16-12	1 3/16-12	34.1 [1.34]	14.8 [.58]	1 5/8	-	15.5 [.61]	22.4 [.88]
FF2281T1620S	I	1 11/16-12	1 7/16-12	68.4 [2.69]	14.8 [.58]	1 7/8	1 5/8	20.6 [.81]	27.1 [1.07]

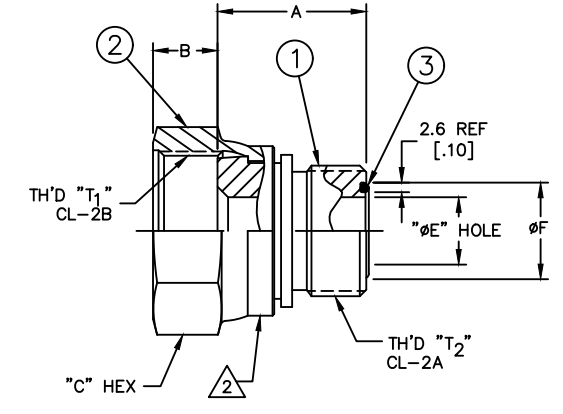
REVISIONS			
REV	DESCRIPTION	DATE	APPROVED
A	UPDATED TO DANFOSS FORMAT & DIMENSION STYLE.	2010-03-30 SJM/SRH	0041768-ECO RPS-20657
B	1) ADDED PARTS #FF2281T1220S & #FF2281T1224S.	2013-08-06 NUD/AGV	0087479-ECO
C	1) MOVED PARTS #FF2281T1220S & #FF2281T1224S TO SHT2.	2014-01-21 NUD	0093899-ECO



STYLE I



STYLE II



STYLE III

METRIC

① ②
③ ④

FF2281T1620S	FF2738H3-1620S	FC1473-20S	FF9446-21		
FF2281T1216S	FF2501H3-1216S	FC1473-16S	FF9446-18		
FF2281T1012S	FF2501H3-1012S	FC1473-12S	FF9446-16		
FF2281T0608S	FF2501H3-0608S	FC1473-08S	FF9446-12		
FF2281T0406S	FF2501H3-0406S	FC1473-06S	FF9446-11		
PART NUMBER	① ADAPTER	② NUT	③ O'RING		

LIST OF MATERIALS

ITEM NO.	MATERIAL	DRAWN S. MANE	CHECKED S. HASABE	APPROVED J. SNYDER	RELEASE DATE 2010-03-30	0041768-ECO	RPS-20657	THIRD ANGLE PROJECTION	SIZE A2	DRAWING NUMBER FF2281T-S	REV C	
1	STEEL	FLUID CONVEYANCE DIVISION DRAWING TITLE ADAPTER ORS REDUCER						SCALE NONE		DIST U	CAGE CODE 01276	SHEET 1 OF 2
2	STEEL							SCALE NONE		DIST U	CAGE CODE 01276	SHEET 1 OF 2
3	NITRILE (BUNA-N)							SCALE NONE		DIST U	CAGE CODE 01276	SHEET 1 OF 2

3. DIMENSIONS ARE IN MILLIMETERS [INCHES].

② CRIMP NUT PER ES 2409P1.

1. ASSEMBLY INCLUDES CAP AND PLUG.

THE REPRODUCTION, DISTRIBUTION AND UTILIZATION OF THIS DOCUMENT AS WELL AS THE COMMUNICATION OF ITS CONTENTS TO OTHERS WITHOUT EXPLICIT AUTHORIZATION IS PROHIBITED. OFFENDERS WILL BE HELD LIABLE FOR THE PAYMENT OF DAMAGES. ALL RIGHT RESERVED IN THE EVENT OF THE GRANT OF A PATENT, UTILITY MODEL OR DESIGN. (PER ISO 16016)