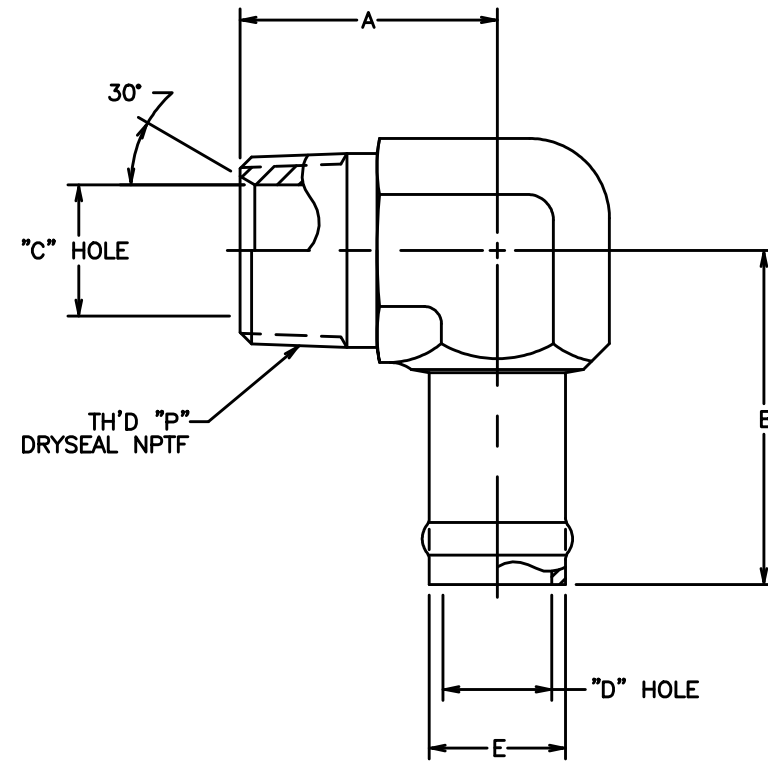


PART NUMBER	TH'D "P"	A REF	B REF	C REF	D REF	E REF
FF1162-0406S	1/4-18	.96	1.54	.28	.30	.37
FF1162-1212S	3/4-14	1.41	1.83	.72	.60	.75
FF1162-1616S	1-11 1/2	1.97	1.94	.94	.87	1.00
FF1162-2020S	1 1/4-11 1/2	1.96	2.15	1.25	1.15	1.25

(A)  
1

(E)  
1

REVISIONS			
REV.	DESCRIPTION	DATE	APPROVED
A	(1)ADDED FF1162-0406S	6-22-93 R.D.G.	EN-F14000 DAI-17511
B	(1)ADDED FF1162-1616S & -2020S (2)REMOVED SHEET 2	12-17-93 RDG	EN-F14464 DAI-17511
C	(1) ADDED SHEET 1 OF 2	8-21-97 R.D.G.	EN-F17159 RPS-1368
D	(1) REMOVED SHEET 1 OF 2	9-23-97 R.D.G.	EN-F17293 DP-1201
E	(1) 1.97 WAS 1.71.	2005-02-28 MM	EN-F27605 DP-1299



(D)  
1

(C)  
1

(B)  
2

REV.

SH.

FF1162

DWG. NO.

DRAWN R.D. GARRETT	<b>EATON</b> HYDRAULICS OPERATIONS TECHNICAL CENTER MAUMEE, OHIO, U.S.A.
CHECKED R.D. GARRETT	
APPROVED R.D. GARRETT	DRAWING TITLE ADAPTER 90°, MALE PIPE TO MS33660 TYPE "A" HOSE CONNECTION
RELEASE DATE 1993-06-03	SIZE A2
EN-F13912	DRAWING NUMBER FF1162
DAI-17511	REV E
THIRD ANGLE PROJECTION	SCALE * DIST U CAGE CODE 01276 SHEET *

1. MATERIAL: STEEL.

NOTICE TO PERSONS RECEIVING THIS DRAWING AND / OR TECHNICAL INFORMATION  
Eaton Corporation claims proprietary rights in the information disclosed herein. This document is issued in confidence and is not to be reproduced or used to manufacture anything shown hereon without the written permission of the Eaton Corporation.