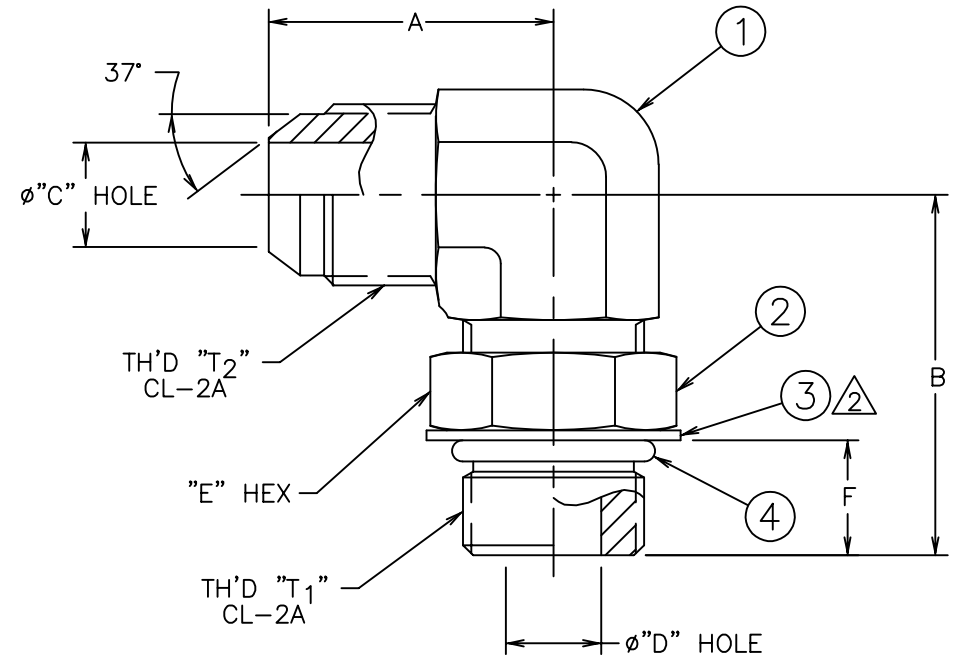


AEROQUIP PART NUMBER	WEATHERHEAD CATALOG NUMBER	TH'D T ₁	TH'D T ₂	A REF	B REF	C REF	D REF	E REF	F MIN
2062-3-5S	C5515X5X3	3/8-24	1/2-20	24.1 [.95]	25.9 [1.02]	5.8 [.23]	3 [.12]	1/2	8.05 [.317]
2062-3-6S	C5515X6X3	3/8-24	9/16-18	26.9 [1.06]	27.4 [1.08]	7.6 [.30]	3 [.12]	1/2	8.05 [.317]
2062-4-4S	C5515X4	7/16-20	7/16-20	22.6 [.89]	26.2 [1.03]	4.3 [.17]	4.3 [.17]	9/16	9.35 [.368]
2062-4-6S	C5515X6X4	7/16-20	9/16-18	26.9 [1.06]	30.2 [1.19]	7.6 [.30]	4.3 [.17]	9/16	9.35 [.368]
2062-4-5S	C5515X5X4	7/16-20	1/2-20	24.1 [.95]	28.7 [1.13]	5.8 [.23]	4.3 [.17]	9/16	9.35 [.368]
2062-5-4S	C5515X4X5	1/2-20	7/16-20	24.1 [.95]	28.7 [1.13]	4.3 [.17]	5.8 [.23]	5/8	9.35 [.368]
2062-5-5S	C5515X5	1/2-20	1/2-20	24.1 [.95]	28.7 [1.13]	5.8 [.23]	5.8 [.23]	5/8	9.35 [.368]
2062-5-6S	C5515X6X5	1/2-20	9/16-18	26.9 [1.06]	30.2 [1.19]	7.6 [.30]	5.8 [.23]	5/8	9.35 [.368]
2062-6-4S	C5515X4X6	9/16-18	7/16-20	26.7 [1.05]	31.8 [1.25]	4.3 [.17]	7.6 [.30]	11/16	10.54 [.415]
2062-6-5S	C5515X5X6	9/16-18	1/2-20	26.7 [1.05]	31.8 [1.25]	5.8 [.23]	7.6 [.30]	11/16	10.54 [.415]
2062-6-6S	C5515X6	9/16-18	9/16-18	26.9 [1.06]	31.8 [1.25]	7.6 [.30]	7.6 [.30]	11/16	10.54 [.415]
2062-6-8S	C5515X8X6	9/16-18	3/4-16	31.8 [1.25]	33.5 [1.32]	9.9 [.39]	7.6 [.30]	11/16	10.54 [.415]
2062-8-6S	C5515X6X8	3/4-16	9/16-18	29 [1.14]	36.8 [1.45]	7.6 [.30]	9.9 [.39]	7/8	11.99 [.472]
2062-8-8S	C5515X8	3/4-16	3/4-16	31.8 [1.25]	36.8 [1.45]	9.9 [.39]	9.9 [.39]	7/8	11.99 [.472]
2062-8-10S	C5515X10X8	3/4-16	7/8-14	36.8 [1.45]	39.1 [1.54]	12.2 [.48]	9.9 [.39]	7/8	11.99 [.472]
2062-8-12S	C5515X12X8	3/4-16	1 1/16-12	42.2 [1.66]	41.1 [1.62]	15.5 [.61]	9.9 [.39]	7/8	11.99 [.472]
2062-10-6S	C5515X6X10	7/8-14	9/16-18	31 [1.22]	43.2 [1.70]	7.6 [.30]	12.2 [.48]	1.00	13.79 [.543]
2062-10-8S	C5515X8X10	7/8-14	3/4-16	33.8 [1.33]	43.2 [1.70]	9.9 [.39]	12.2 [.48]	1.00	13.79 [.543]
2062-10-10S	C5515X10	7/8-14	7/8-14	36.8 [1.45]	43.2 [1.70]	12.2 [.48]	12.2 [.48]	1.00	13.79 [.543]
2062-10-12S	C5515X12X10	7/8-14	1 1/16-12	42.2 [1.66]	45.2 [1.78]	15.5 [.61]	12.2 [.48]	1.00	13.79 [.543]
2062-12-8S	C5515X8X12	1 1/16-12	3/4-16	36.1 [1.42]	49.3 [1.94]	9.9 [.39]	15.5 [.61]	1 1/4	16.15 [.636]
2062-12-10S	C5515X10X12	1 1/16-12	7/8-14	39.1 [1.54]	49.3 [1.94]	12.2 [.48]	15.5 [.61]	1 1/4	16.15 [.636]
2062-12-12S	C5515X12	1 1/16-12	1 1/16-12	42.2 [1.66]	49.3 [1.94]	15.5 [.61]	15.5 [.61]	1 1/4	16.15 [.636]
2062-12-16S	C5515X16X12	1 1/16-12	1 5/16-12	46 [1.81]	52.1 [2.05]	21.3 [.84]	15.5 [.61]	1 1/4	16.15 [.636]
2062-12-20S	C5515X20X12	1 1/16-12	1 5/8-12	52.3 [2.06]	57.2 [2.25]	27.4 [1.08]	15.5 [.61]	1 1/4	16.15 [.636]
2062-14-16S	C5515X16X14	1 3/16-12	1 5/16-12	46 [1.81]	52.1 [2.05]	21.3 [.84]	18.3 [.72]	1 3/8	16.15 [.636]
2062-16-8S	C5515X8X16	1 5/16-12	3/4-16	38.6 [1.52]	52.1 [2.05]	9.9 [.39]	21.3 [.84]	1 1/2	16.15 [.636]
2062-16-10S	C5515X10X16	1 5/16-12	7/8-14	41.7 [1.64]	52.1 [2.05]	12.2 [.48]	21.3 [.84]	1 1/2	16.15 [.636]
2062-16-12S	C5515X12X16	1 5/16-12	1 1/16-12	44.7 [1.76]	52.1 [2.05]	15.5 [.61]	21.3 [.84]	1 1/2	16.15 [.636]
2062-16-16S	C5515X16	1 5/16-12	1 5/16-12	46 [1.81]	52.1 [2.05]	21.3 [.84]	21.3 [.84]	1 1/2	16.15 [.636]
2062-16-20S	C5515X20X16	1 5/16-12	1 5/8-12	52.3 [2.06]	57.2 [2.25]	27.4 [1.08]	21.3 [.84]	1 1/2	16.15 [.636]
2062-20-16S	C5515X16X20	1 5/8-12	1 5/16-12	51.1 [2.01]	57.2 [2.25]	21.3 [.84]	27.4 [1.08]	1 7/8	16.15 [.636]
2062-20-20S	C5515X20	1 5/8-12	1 5/8-12	52.3 [2.06]	57.2 [2.25]	27.4 [1.08]	27.4 [1.08]	1 7/8	16.15 [.636]
2062-20-24S	C5515X24X20	1 5/8-12	1 7/8-12	59.2 [2.33]	60.7 [2.39]	33.3 [1.31]	27.4 [1.08]	1 7/8	16.15 [.636]
2062-24-20S	C5515X20X24	1 7/8-12	1 5/8-12	55.9 [2.20]	60.7 [2.39]	27.4 [1.08]	33.3 [1.31]	2 1/8	16.15 [.636]
2062-24-24S	C5515X24	1 7/8-12	1 7/8-12	59.2 [2.33]	60.7 [2.39]	33.3 [1.31]	33.3 [1.31]	2 1/8	16.15 [.636]

REVISIONS			
REV	DESCRIPTION	DATE	APPROVED
BT	REDRAWN & UPDATED TO EATON FORMAT. 1) UPDATED WEATHERHEAD PART NUMBERS. 2) REMOVED "2062-3-3S" & "2062-14-14S" PARTS.	2009-12-25 AAP/ADN	0038327-ECO
BU	1) ADDED PARTS #2062-4-5S, #2062-5-4S & #2062-6-5S.	2016-01-29 KRC/VSP	0118470-ECO

2062-24-24S	C5515X24	206204-24-24S	210295-24S	222013-24S	22617-24
2062-24-20S	C5515X20X24	206204-24-20S	210295-24S	222013-24S	22617-24
2062-20-24S	C5515X24X20	206204-20-24S	210295-20S	222013-20S	22617-20
2062-20-20S	C5515X20	206204-20-20S	210295-20S	222013-20S	22617-20
2062-20-16S	C5515X16X20	206204-20-16S	210295-20S	222013-20S	22617-20
2062-16-20S	C5515X20X16	206204-16-20S	210295-16S	222013-16S	22617-16
2062-16-16S	C5515X16	206204-16-16S	210295-16S	222013-16S	22617-16
2062-16-12S	C5515X12X16	206204-16-12S	210295-16S	222013-16S	22617-16
2062-16-10S	C5515X10X16	206204-16-10S	210295-16S	222013-16S	22617-16
2062-16-8S	C5515X8X16	206204-16-8S	210295-16S	222013-16S	22617-16
2062-14-16S	C5515X16X14	206204-14-16S	210295-14S	222013-14S	22617-14
2062-12-20S	C5515X20X12	206204-12-20S	210295-12S	222013-12S	22617-12
2062-12-16S	C5515X16X12	206204-12-16S	210295-12S	222013-12S	22617-12
2062-12-12S	C5515X12	206204-12-12S	210295-12S	222013-12S	22617-12
2062-12-10S	C5515X10X12	206204-12-10S	210295-12S	222013-12S	22617-12
2062-12-8S	C5515X8X12	206204-12-8S	210295-12S	222013-12S	22617-12
2062-10-12S	C5515X12X10	206204-10-12S	210295-10S	222013-10S	22617-10
2062-10-10S	C5515X10	206204-10-10S	210295-10S	222013-10S	22617-10
2062-10-8S	C5515X8X10	206204-10-8S	210295-10S	222013-10S	22617-10
2062-10-6S	C5515X6X10	206204-10-6S	210295-10S	222013-10S	22617-10
2062-8-12S	C5515X12X8	206204-8-12S	210295-8S	222013-8S	22617-8
2062-8-10S	C5515X10X8	206204-8-10S	210295-8S	222013-8S	22617-8
2062-8-8S	C5515X8	206204-8-8S	210295-8S	222013-8S	22617-8
2062-8-6S	C5515X6X8	206204-8-6S	210295-8S	222013-8S	22617-8
2062-6-8S	C5515X8X6	206204-6-8S	210295-6S	222013-6S	22617-6
2062-6-6S	C5515X6	206204-6-6S	210295-6S	222013-6S	22617-6
2062-6-5S	C5515X5X6	206204-6-5S	210295-6S	222013-6S	22617-6
2062-6-4S	C5515X4X6	206204-6-4S	210295-6S	222013-6S	22617-6
2062-5-6S	C5515X6X5	206204-5-6S	210295-5S	222013-5S	22617-5
2062-5-5S	C5515X5	206204-5-5S	210295-5S	222013-5S	22617-5
2062-5-4S	C5515X4X5	206204-5-4S	210295-5S	222013-5S	22617-5
2062-4-5S	C5515X5X4	206204-4-5S	210295-4S	222013-4S	22617-4
2062-4-6S	C5515X6X4	206204-4-6S	210295-4S	222013-4S	22617-4
2062-4-4S	C5515X4	206204-4-4S	210295-4S	222013-4S	22617-4
2062-3-6S	C5515X6X3	206204-3-6S	210295-3S	222013-3S	22617-3
2062-3-5S	C5515X5X3	206204-3-5S	210295-3S	222013-3S	22617-3



3. ITEM #1, #2 & #3 CAN BE REPLACED WITH 2062-1-X-XS PART NUMBER.

WASHER CLINCHED TO FITTING WITH 0.012 [.0005] MAXIMUM CLEARANCE TO AN INTERFERENCE FIT.

1. DIMENSIONS ARE IN MILLIMETERS [INCHES].

METRIC

LIST OF MATERIALS		DRAWN		INDUSTRIAL SECTOR	
ITEM NO.	MATERIAL	A. PURANIK	HYDRAULICS GROUP,	FLUID CONVEYANCE PRODUCTS,	
1	STEEL	CHECKED	WALNUT, OHIO U.S.A. <td colspan="2">DRAWING TITLE</td>	DRAWING TITLE	
2	STEEL	APPROVED		ADAPTER	
3	STEEL	A. NAGARKATTI		SAE 37° FLARE - 90° STRAIGHT THREAD	
4	NITRILE (BUNA-N)	A. NAGARKATTI		ELBOW - (SAE #070220)	
		RELEASE DATE		SIZE	REV
		2009-12-25		A1	2062-S
		0038327-ECO		SCALE	BU
				NONE	01276
				DIST	SHEET 1 OF 2
				U	