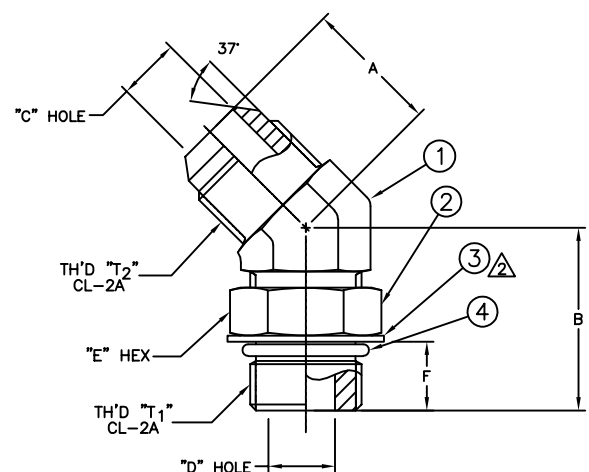


PART NUMBER	WEATHERHEAD CATALOG NUMBER	TH'D T ₁ "	TH'D T ₂ "	A REF	B REF	C REF	D REF	E REF (INCH)	F MIN
2061-4-4S	C5365X4	7/16-20	7/16-20	18.3[.72]	26.7[1.05]	4.3[.17]	4.3[.17]	9/16	9.35[.368]
2061-5-5S	C5365X5	1/2-20	1/2-20	19.6[.77]	26.7[1.05]	5.8[.23]	5.8[.23]	5/8	9.35[.368]
2061-6-4S	C5365X4X6	9/16-18	7/16-20	20.8[.82]	29[1.14]	4.3[.17]	7.6[.30]	11/16	10.5[.415]
2061-6-6S	C5365X6	9/16-18	9/16-18	21.1[.83]	29[1.14]	7.6[.30]	7.6[.30]	11/16	10.5[.415]
2061-6-8S	C5365X8X6	9/16-18	3/4-16	24.9[.98]	30.5[1.20]	9.9[.39]	7.6[.30]	11/16	10.5[.415]
2061-8-6S	C5365X6X8	3/4-16	9/16-18	22.1[.87]	33[1.30]	7.6[.30]	9.9[.39]	7/8	12[.472]
2061-8-8S	C5365X8	3/4-16	3/4-16	24.9[.98]	33[1.30]	9.9[.39]	9.9[.39]	7/8	12[.472]
2061-8-10S	C5365X10X8	3/4-16	7/8-14	28.2[1.11]	34.5[1.36]	12.2[.48]	9.9[.39]	7/8	12[.472]
2061-10-8S	C5365X8X10	7/8-14	3/4-16	25.2[.99]	38.6[1.52]	9.9[.39]	12.2[.48]	1	13.8[.543]
2061-10-10S	C5365X10	7/8-14	7/8-14	28.2[1.11]	38.6[1.52]	12.2[.48]	12.2[.48]	1	13.8[.543]
2061-10-12S	C5365X12X10	7/8-14	1 1/16-12	32.5[1.28]	39.9[1.57]	15.5[.61]	12.2[.48]	1	13.8[.543]
2061-12-8S	C5365X8X12	1 1/16-12	3/4-16	26.4[1.04]	43.9[1.73]	9.9[.39]	15.5[.61]	1 1/4	16.2[.636]
2061-12-10S	C5365X10X12	1 1/16-12	7/8-14	29.5[1.16]	43.9[1.73]	12.2[.48]	15.5[.61]	1 1/4	16.2[.636]
2061-12-12S	C5365X12	1 1/16-12	1 1/16-12	32.5[1.28]	43.9[1.73]	15.5[.61]	15.5[.61]	1 1/4	16.2[.636]
2061-12-16S	C5365X16X12	1 1/16-12	1 5/16-12	37.3[1.47]	47.2[1.86]	21.3[.84]	15.5[.61]	1 1/4	16.2[.636]
2061-14-14S	C5365X14	1 3/16-12	1 3/16-12	36.8[1.45]	47.2[1.86]	18.3[.72]	18.3[.72]	1 3/8	16.2[.636]
2061-16-12S	C5365X12X16	1 5/16-12	1 1/16-12	36.1[1.42]	47.2[1.86]	15.5[.61]	21.3[.84]	1 1/2	16.2[.636]
2061-16-16S	C5365X16	1 5/16-12	1 5/16-12	37.3[1.47]	47.2[1.86]	21.3[.84]	21.3[.84]	1 1/2	16.2[.636]
2061-16-20S	C5365X20X16	1 5/16-12	1 5/8-12	40.4[1.59]	48.5[1.91]	27.4[1.08]	21.3[.84]	1 1/2	16.2[.636]
2061-20-16S	C5365X16X20	1 5/8-12	1 5/16-12	39.1[1.54]	48.5[1.91]	21.3[.84]	27.4[1.08]	1 7/8	16.2[.636]
2061-20-20S	C5365X20	1 5/8-12	1 5/8-12	40.4[1.59]	48.5[1.91]	27.4[1.08]	27.4[1.08]	1 7/8	16.2[.636]
2061-24-24S	C5365X24	1 7/8-12	1 7/8-12	43.7[1.72]	48.5[1.91]	33.3[1.31]	33.3[1.31]	2 1/8	16.2[.636]

REVISIONS			
REV	DESCRIPTION	DATE	APPROVED
AN	(1) ADDED WEATHERHEAD CATALOG NUMBERS	2003-12-01 R.M./W.R.H.	EN-F25476 DP-1513
AP	(1) 2061-6-8S, 2061-24-24S PART NUMBERS ADDED	2008-12-30 SPB/ADN	0038335-ECO
AR	(1) ADDED PART #2061-4-4S. (2) WAS 9.4 [.368].	2014-11-14 PDS/VSP	0103270-ECO

(AN)



METRIC

WASHER CLINCHED TO FITTING WITH 0.012[.0005] MAXIMUM CLEARANCE TO AN INTERFERENCE FIT.
 1. DIMENSIONS ARE IN MILLIMETERS [INCHES].

PART NUMBER	WEATHERHEAD CATALOG NUMBER	ADAPTER BODY	JAM NUT	WASHER	O'RING
2061-24-24S	C5365X24	206104-24-24S	210295-24S	222013-24S	22617-24
2061-20-20S	C5365X20	206104-20-20S	210295-20S	222013-20S	22617-20
2061-20-16S	C5365X16X20	206104-20-16S	210295-20S	222013-20S	22617-20
2061-16-20S	C5365X20X16	206104-16-20S	210295-16S	222013-16S	22617-16
2061-16-16S	C5365X16	206104-16-16S	210295-16S	222013-16S	22617-16
2061-16-12S	C5365X12X16	206104-16-12S	210295-16S	222013-16S	22617-16
2061-14-14S	C5365X14	206104-14-14S	210295-14S	222013-14S	22617-14
2061-12-16S	C5365X16X12	206104-12-16S	210295-12S	222013-12S	22617-12
2061-12-12S	C5365X12	206104-12-12S	210295-12S	222013-12S	22617-12
2061-12-10S	C5365X10X12	206104-12-10S	210295-12S	222013-12S	22617-12
2061-12-8S	C5365X8X12	206104-12-8S	210295-12S	222013-12S	22617-12
2061-10-12S	C5365X12X10	206104-10-12S	210295-10S	222013-10S	22617-10
2061-10-10S	C5365X10	206104-10-10S	210295-10S	222013-10S	22617-10
2061-10-8S	C5365X8X10	206104-10-8S	210295-10S	222013-10S	22617-10
2061-8-10S	C5365X10X8	206104-8-10S	210295-8S	222013-8S	22617-8
2061-8-8S	C5365X8	206104-8-8S	210295-8S	222013-8S	22617-8
2061-8-6S	C5365X6X8	206104-8-6S	210295-8S	222013-8S	22617-8
2061-6-8S	C5365X8X6	206104-6-8S	210295-6S	222013-6S	22617-6
2061-6-6S	C5365X6	206104-6-6S	210295-6S	222013-6S	22617-6
2061-6-4S	C5365X4X6	206104-6-4S	210295-6S	222013-6S	22617-6
2061-5-5S	C5365X5	206104-5-5S	210295-5S	222013-5S	22617-5
2061-4-4S	C5365X4	206104-4-4S	210295-4S	222013-4S	22617-4

LIST OF MATERIALS		DRAWING INFORMATION	
ITEM NO.	MATERIAL	SIZE	DRAWING NUMBER
1	STEEL	A2	2061-S
2	STEEL		
3	STEEL		
4	NITRILE (BUNA-N)		

DRAWN RMCCULLY	CHECKED W.R.HYDE	APPROVED W.R.HYDE	RELEASE DATE 2003-12-01
EN-F25476	DP-1513	THIRD ANGLE PROJECTION	SCALE: NONE
INDUSTRIAL SECTOR HYDRAULICS GROUP, FLUID CONVEYANCE PRODUCTS, MAUMEE, OHIO U.S.A.		DRAWING TITLE ADAPTER SAE 37° FLARE-45° STRAIGHT THREAD ELBOW (SAE #070320)	
SHEET 1 OF 2		REV AR	

INDUSTRIAL SECTOR - CONFIDENTIAL AND PROPRIETARY NOTICE TO PERSONS RECEIVING THIS DOCUMENT AND/OR TECHNICAL INFORMATION: THIS DOCUMENT IS THE PROPERTY OF FLOUID CONVEYANCE PRODUCTS, MAUMEE, OHIO U.S.A. IT IS TO BE KEPT IN CONFIDENCE AND NOT TO BE REPRODUCED OR TRANSMITTED IN ANY FORM OR BY ANY MEANS, ELECTRONIC OR MECHANICAL, INCLUDING PHOTOCOPYING, RECORDING, OR BY ANY INFORMATION STORAGE AND RETRIEVAL SYSTEM, WITHOUT THE WRITTEN PERMISSION OF FLOUID CONVEYANCE PRODUCTS, MAUMEE, OHIO U.S.A.