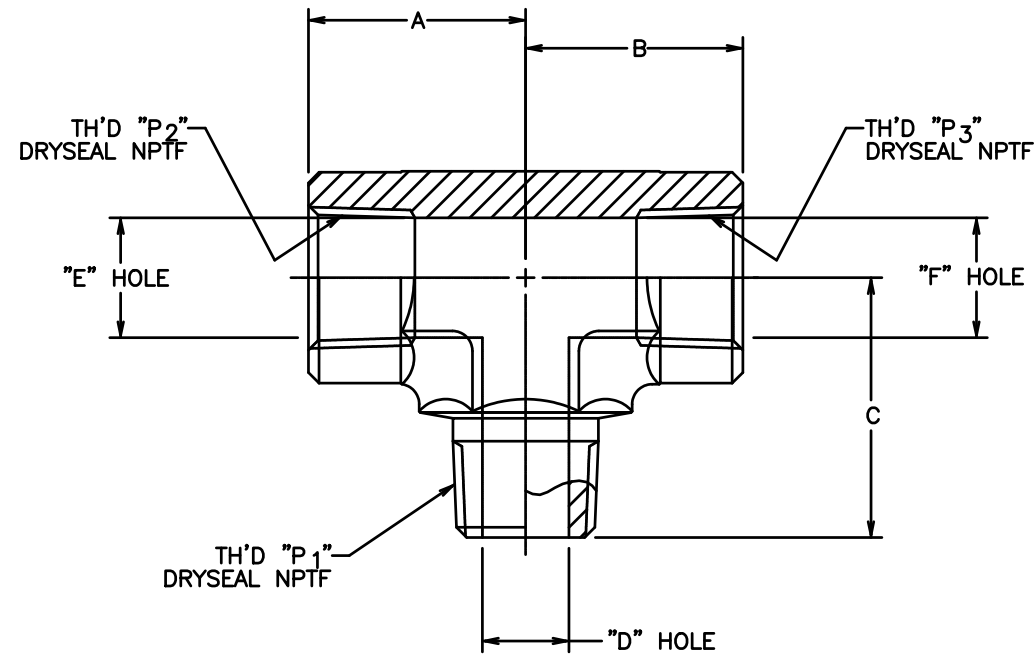


AEROQUIP PART NUMBER	WEATHERHEAD PART NUMBER	TH'D "P <sub>1</sub> "	TH'D "P <sub>2</sub> "	TH'D "P <sub>3</sub> "	A REF	B REF	C REF	D REF	E REF	F REF
2091-2-2S	C3609X2	1/8-27	1/8-27	1/8-27	.66	.66	.78	.19	.29	.29
2091-4-4S	C3609X4	1/4-18	1/4-18	1/4-18	.88	.88	1.09	.28	.39	.39
2091-6-6S	C3609X6	3/8-18	3/8-18	3/8-18	1.02	1.02	1.22	.41	.53	.53
2091-8-8S	C3609X8	1/2-14	1/2-14	1/2-14	1.23	1.23	1.47	.53	.65	.65
2091-12-12S	C3609X12	3/4-14	3/4-14	3/4-14	1.36	1.36	1.59	.72	.85	.85
2091-16-16S	C3609X16	1-11 1/2	1-11 1/2	1-11 1/2	1.62	1.62	1.97	.94	1.06	1.06

REVISIONS			
REV.	DESCRIPTION	DATE	APPROVED
S	1.) ADDED WEAHTER HEAD PART NUMBER	2003-12-9 JEEJ	EN-F25513 DP-1513

①



DWG. NO. 2091-S  
SH. 1  
REV. S

1. MATERIAL: STEEL.

DRAWN J. EBERSOLE	<b>EATON</b> HYDRAULICS OPERATIONS TECHNICAL CENTER MAUMEE, OHIO, U.S.A.		
CHECKED B.THOMAS	DRAWING TITLE ADAPTER PIPE TEE, INTERNAL, INTERNAL, EXTERNAL (SAE #140425)		
APPROVED B.THOMAS	SIZE A2	DRAWING NUMBER 2091-S	REV S
RELEASE DATE 2003-12-09	SCALE 1:1	DIST U	CAGE CODE 01276
EN-F25513	SHEET 1		
DP-1513	NOTICE TO PERSONS RECEIVING THIS DRAWING AND / OR TECHNICAL INFORMATION: Eaton Corporation claims proprietary rights in the information disclosed herein. This document is issued in confidence and is not to be reproduced or used to manufacture anything shown hereon without the written permission of the Eaton Corporation.		