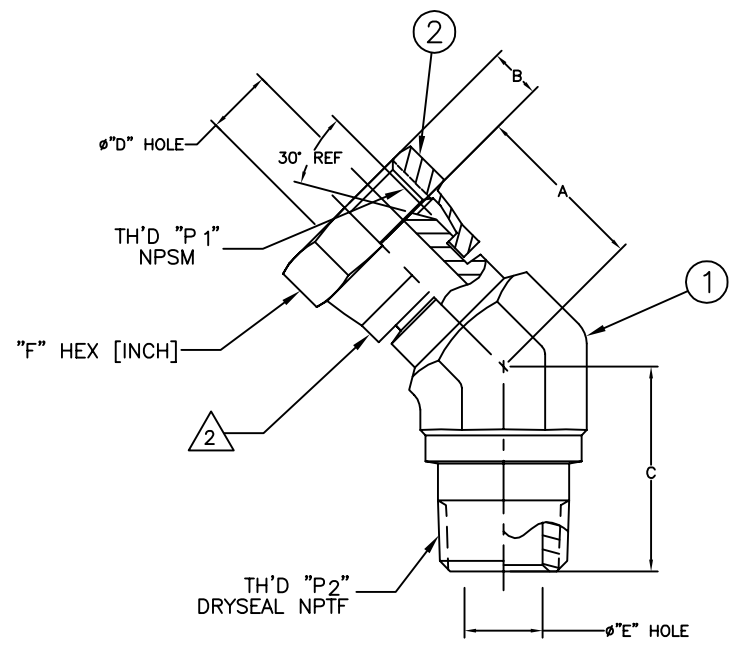


WEATHERHEAD PART NUMBER	AEROQUIP PART NUMBER	TH'D "P <sub>1</sub> "	TH'D "P <sub>2</sub> "	A REF	B REF	C REF	D REF	E REF	F REF
9355X2X2	2049-2-2S	1/8-27	1/8-27	17 [.67]	4.8 [.19]	17.8 [.70]	3.8 [.15]	4.8 [.19]	9/16
9355X4X2	2049-4-2S	1/4-18	1/8-27	20.1 [.79]	6.4 [.25]	17 [.67]	5.6 [.22]	4.8 [.19]	11/16
9355X4X4	2049-4-4S	1/4-18	1/4-18	20.1 [.79]	6.4 [.25]	24.6 [.97]	5.6 [.22]	7.1 [.28]	11/16
9355X4X6	2049-4-6S	1/4-18	3/8-18	20.3 [.80]	6.4 [.25]	26.9 [1.06]	5.6 [.22]	10.4 [.41]	11/16
9355X4X8	2049-4-8S	1/4-18	1/2-14	21.1 [.83]	6.4 [.25]	35.8 [1.41]	5.6 [.22]	13.5 [.53]	11/16
9355X6X4	2049-6-4S	3/8-18	1/4-18	23.4 [.92]	6.4 [.25]	25.4 [1.00]	8.6 [.34]	7.1 [.28]	7/8
9355X6X6	2049-6-6S	3/8-18	3/8-18	23.4 [.92]	6.4 [.25]	27.7 [1.09]	8.6 [.34]	10.4 [.41]	7/8
9355X6X8	2049-6-8S	3/8-18	1/2-14	23.4 [.92]	6.4 [.25]	35.8 [1.41]	8.6 [.34]	13.5 [.53]	7/8
9355X8X6	2049-8-6S	1/2-14	3/8-18	23.1 [.91]	8.4 [.33]	27.7 [1.09]	11.7 [.46]	10.4 [.41]	1
9355X8X8	2049-8-8S	1/2-14	1/2-14	23.1 [.91]	8.4 [.33]	35.8 [1.41]	11.7 [.46]	13.5 [.53]	1
9355X8X12	2049-8-12S	1/2-14	3/4-14	23.1 [.91]	8.4 [.33]	38.9 [1.53]	11.7 [.46]	18.3 [.72]	1
9355X12X12	2049-12-12S	3/4-14	3/4-14	27.9 [1.10]	7.6 [.30]	38.9 [1.53]	16.3 [.64]	18.3 [.72]	1 1/4
9355X12X8	2049-12-8S	3/4-14	1/2-14	27.9 [1.10]	7.6 [.30]	38.9 [1.53]	16.3 [.64]	13.5 [.53]	1 1/4
9355X12X16	2049-12-16S	3/4-14	1 1/2	26.2 [1.03]	7.6 [.30]	38.1 [1.50]	16.3 [.64]	23.9 [.94]	1 1/4
9355X16X12	2049-16-12S	1-11 1/2	3/4-14	32 [1.26]	9.7 [.38]	38.9 [1.53]	21.1 [.83]	18.3 [.72]	1 1/2
9355X16X16	2049-16-16S	1-11 1/2	1-11 1/2	32 [1.26]	9.7 [.38]	38.9 [1.53]	21.1 [.83]	23.9 [.94]	1 1/2
9355X16X20	2049-16-20S	1-11 1/2	1 1/4-11 1/2	33 [1.30]	9.7 [.38]	46.7 [1.84]	21.1 [.83]	31.8 [1.25]	1 1/2
9355X20X20	2049-20-20S	1 1/4-11 1/2	1 1/4-11 1/2	36.8 [1.45]	10.4 [.41]	46.7 [1.84]	27.4 [1.08]	31.8 [1.25]	1 7/8
9355X24X24	2049-24-24S	1 1/2-11 1/2	1 1/2-11 1/2	35.8 [1.41]	10.7 [.42]	50.8 [2.00]	33.3 [1.31]	38.1 [1.50]	2 1/8

REVISIONS			
REV	DESCRIPTION	DATE	APPROVED
AE	REDRAWN, UPDATED TO EATON FORMAT & DIMENSION STYLE. 1) ADDED PART NUMBERS 2049-4-2S, 2049-4-6S, 2049-4-8S, 2049-6-4S, 2049-6-6S, 2049-6-8S, 2049-8-6S, 2049-8-8S, 2049-8-12S, 2049-12-16S, 2049-12-8S, 2049-16-12S & 2049-16-20S. 2) ADDED EQUIVALENT WEATHERHEAD PART NUMBERS.	2015-02-26 VSP	0102009-ECO



②

METRIC

WEATHERHEAD PART NUMBER	AEROQUIP PART NUMBER	① ADAPTER BODY	② NUT
9355X24X24	2049-24-24S	FF2022-2424S	2045-3-24S
9355X20X20	2049-20-20S	FF2022-2020S	2045-3-20S
9355X16X20	2049-16-20S	FF2022-1620S	2045-3-16S
9355X16X16	2049-16-16S	FF2022-1616S	2045-3-16S
9355X16X12	2049-16-12S	FF2022-1612S	2045-3-16S
9355X12X16	2049-12-16S	FF2022-1216S	2045-3-12S
9355X12X8	2049-12-8S	FF2022-1208S	2045-3-12S
9355X12X12	2049-12-12S	FF2022-1212S	2045-3-12S
9355X8X12	2049-8-12S	FF2022-0812S	2045-3-8S
9355X8X8	2049-8-8S	FF2022-0808S	2045-3-8S
9355X8X6	2049-8-6S	FF2022-0806S	2045-3-8S
9355X6X8	2049-6-8S	FF2022-0608S	2045-3-6S
9355X6X6	2049-6-6S	FF2022-0606S	2045-3-6S
9355X6X4	2049-6-4S	FF2022-0604S	2045-3-6S
9355X4X8	2049-4-8S	FF2022-0408S	2045-3-4S
9355X4X6	2049-4-6S	FF2022-0406S	2045-3-4S
9355X4X4	2049-4-4S	FF2022-0404S	2045-3-4S
9355X4X2	2049-4-2S	FF2022-0402S	2045-3-4S
9355X2X2	2049-2-2S	FF2022-0202S	2045-3-2S

LIST OF MATERIALS		DRAWING INFORMATION	
ITEM NO.	MATERIAL	DRAWN	V. PATIL
1	STEEL	CHECKED	V. PATIL
2	STEEL	APPROVED	J. SNYDER
		RELEASE DATE	2015-02-26
			0102009-ECO
		THIRD ANGLE PROJECTION	A2
		SCALE	NONE
		DIST	U
		CAGE CODE	01276
		SHEET	2

**EATON** INDUSTRIAL SECTOR  
HYDRAULICS GROUP,  
FLUID CONVEYANCE PRODUCTS,  
MANNING, OHIO U.S.A.

DRAWING TITLE  
**ADAPTER**  
45', FEMALE ADAPTER UNION (MALE)  
(SAE # 140330)

SIZE DRAWING NUMBER  
A2 2049-S

REV AE

EATON CORPORATION - CONFIDENTIAL AND PROPRIETARY NOTICE TO PERSONS RECEIVING THIS DOCUMENT AND/OR TECHNICAL INFORMATION: THE CONTENTS OF THIS DOCUMENT ARE THE PROPERTY OF EATON CORPORATION AND ARE NOT TO BE REPRODUCED, COPIED, OR TRANSMITTED IN ANY FORM OR BY ANY MEANS, ELECTRONIC OR MECHANICAL, INCLUDING PHOTOCOPYING, RECORDING, OR BY ANY INFORMATION STORAGE AND RETRIEVAL SYSTEM, WITHOUT THE WRITTEN PERMISSION OF EATON CORPORATION.

② CRIMP NUT PER ES 2409P4.  
1. DIMENSIONS ARE IN MILLIMETERS [INCHES].