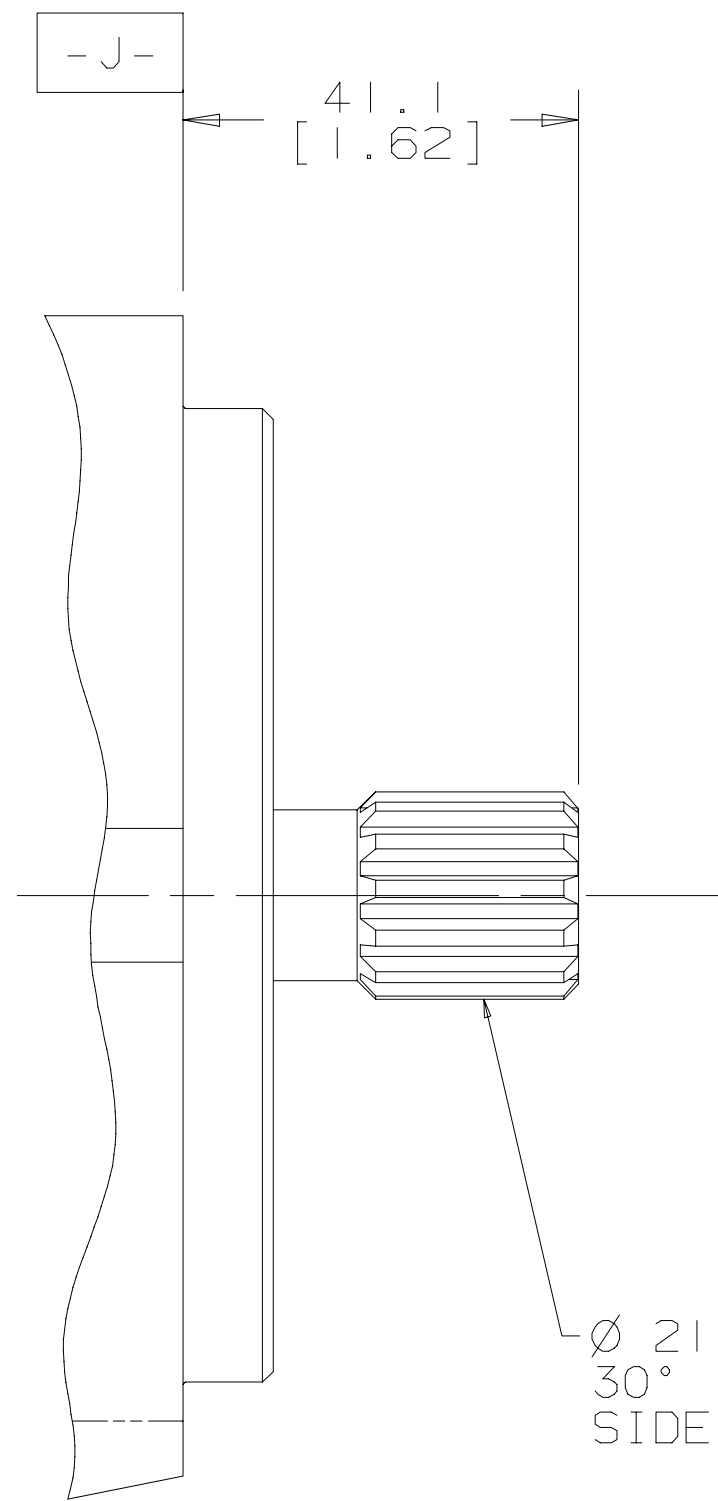
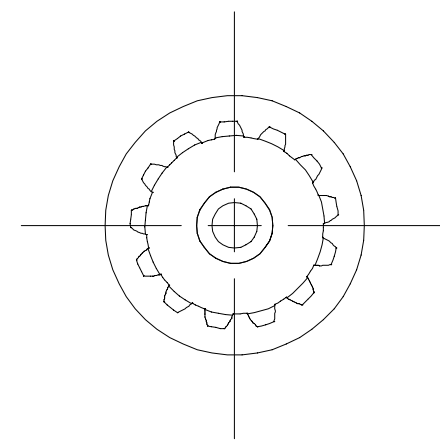


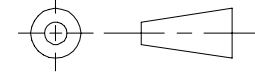
SYM	REVISION	BY	DATE	ECN
A	ENGINEERING RELEASE	DLM	05-07-91	20150
B	TITLE WAS INPUT SHAFT INSTALLATION	JMS	03-27-96	27970



Ø 21.806 [0.8585] 13 TOOTH 16/32 DP  
 30° INVLT FLAT ROOT CLASS I  
 SIDE FIT SPLINE SAE J498b



G H

UNLESS OTHERWISE SPECIFIED ALL DIMENSIONS ARE IN INCHES <input type="checkbox"/> MILLIMETERS [INCHES] <input checked="" type="checkbox"/>	DRAWING BASED ON ANSI Y14.5M-1982	
	NOTICE TO PERSONS RECEIVING THIS DRAWING AND / OR TECHNICAL INFORMATION Eaton Corporation claims proprietary rights in the information disclosed hereon. This document is issued in confidence and is not to be reproduced or used to manufacture anything shown hereon without the written permission of the Eaton Corporation.	
TOLERANCES .X ± - .XX ± REF .XXX ± REF ANGLES ± -	DRAWN BY/DATE DLM 3/7/91 CHECKED BY/DATE CMJ 7/23/91	MATERIAL/HEAT TREAT
UNSPECIFIED RADII ARE - UNSPECIFIED DRAFT ANGLES ARE -	ENGRG BY/DATE DMW 9/10/91 METALLURGY BY/DATE - - -	TITLE SHAFT INSTALLATION
DRAWING FORMAT CADD <input checked="" type="checkbox"/> MANUAL <input type="checkbox"/>	THIRD ANGLE PROJECTION 	NUMBER A-290-002
	DO NOT SCALE	SCALE 1/1 SHEET 1 OF 1