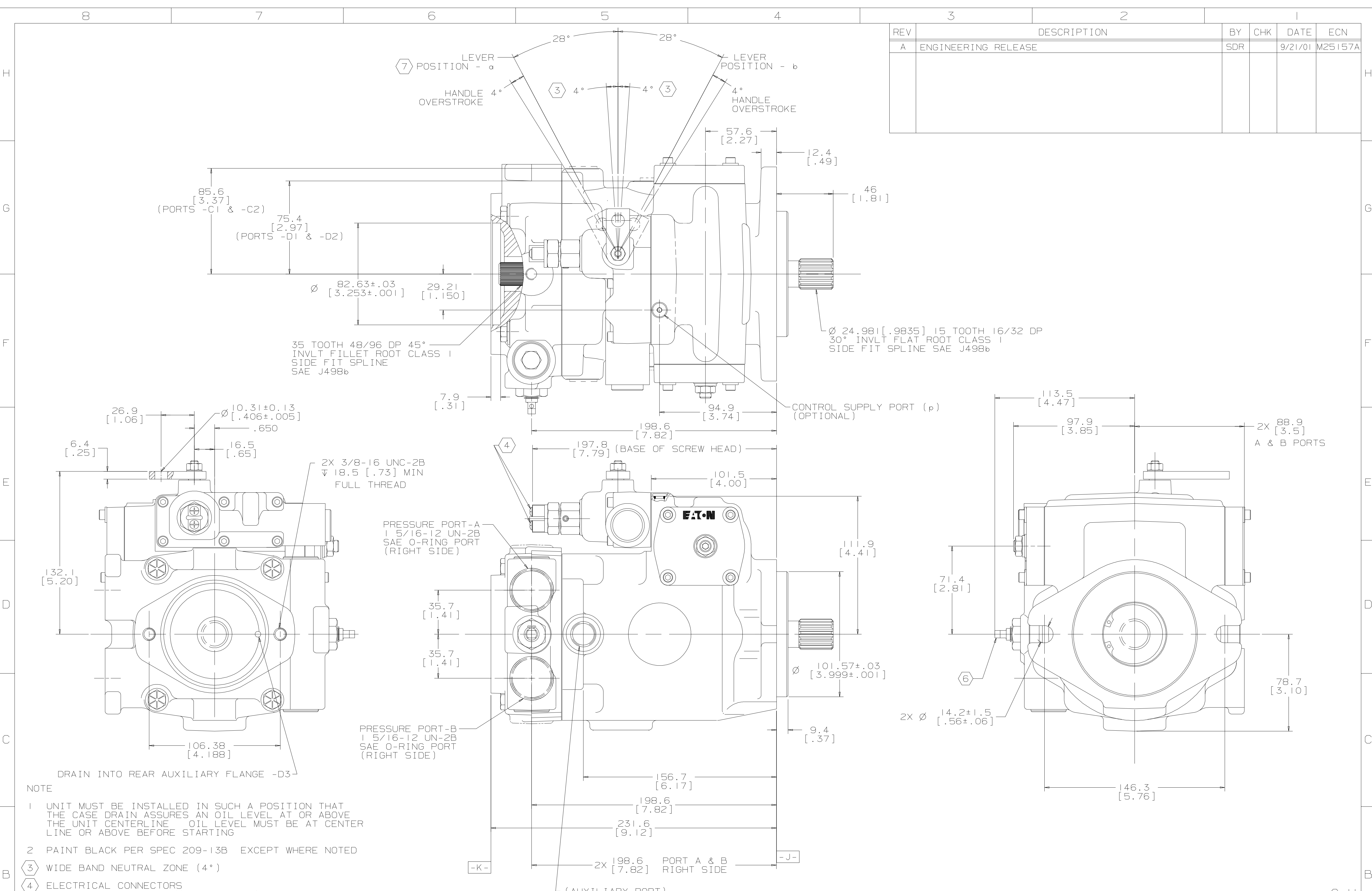


REV	DESCRIPTION	BY	CHK	DATE	ECN
A	ENGINEERING RELEASE	SDR		9/21/01	M25157A



- NOTE
- UNIT MUST BE INSTALLED IN SUCH A POSITION THAT THE CASE DRAIN ASSURES AN OIL LEVEL AT OR ABOVE THE UNIT CENTERLINE OIL LEVEL MUST BE AT CENTER LINE OR ABOVE BEFORE STARTING
 - PAINT BLACK PER SPEC 209-13B EXCEPT WHERE NOTED
 - WIDE BAND NEUTRAL ZONE (4°)
 - ELECTRICAL CONNECTORS
8-32 ROUND HEAD MACHINE SCREWS
CONTACT RATINGS
5 AMPS MAX AT 12 VOLTS
3 AMPS MAX AT 24 VOLTS
440 VOLTS MAX BETWEEN TERMINALS
NORMALLY CLOSED CONTACTS CLOSED AT NEUTRAL
TIGHTEN SCREWS 1.6-2.0 N·m [14-18 lbf·in]
 - THIS UNIT WILL ACCEPT ANOTHER UNIT WITH AN SAE "A" MOUNT AND 35 TOOTH EXTERNAL SPLINE 46 [1.81] FROM THE MOUNTING FLANGE
 - THIS DUMP VALVE IS TO BE USED IN CASE OF AN EMERGENCY ONLY EXCESS TOWING MAY DAMAGE THE HYDRAULIC SYSTEM BEFORE TOWING VEHICLE TURN VALVE 90° TO DE-CLUTCH DO NOT TURN WHILE MACHINE IS RUNNING

UNLESS OTHERWISE SPECIFIED ALL DIMENSIONS ARE IN INCHES		DRAWING BASED ON ANSI Y14.5M-1982	
<input type="checkbox"/> INCHES	<input type="checkbox"/> MILLIMETERS	NOTICE TO PERSONS RECEIVING THIS DRAWING AND / OR TECHNICAL INFORMATION Eaton Corporation claims proprietary rights in the information disclosed hereon. This document is issued in confidence and is not to be reproduced or used to manufacture anything shown hereon without the written permission of the Eaton Corporation.	
TOLERANCES		Eaton Corporation Hydraulic Division 15151 Highway 5 Eaton, Prairie, Mo. 65544	
.x ± ---	---	DRAWN BY/DATE: SDR 10/3/01	MATERIAL/HEAT TREAT
.xx ± ---	---	CHECKED BY/DATE	TITLE
.xxx ± ---	---	ENGRS BY/DATE	PISTON PUMP INSTALLATION (SERVO)
< ± ---	---	METALLPROY --- BY/DATE	NUMBER
UNSPECIFIED RADIUS ARE	---	THIRD ANGLE PROJECTION	72400-RPR-04
UNSPECIFIED DRAFT ANGLES ARE	---	DO NOT SCALE	SCALE 1/1
DRAWING FORMAT CAD <input type="checkbox"/> MANUAL <input type="checkbox"/>	---	ARITHMETICAL AVERAGE	SHEET 1 OF 1