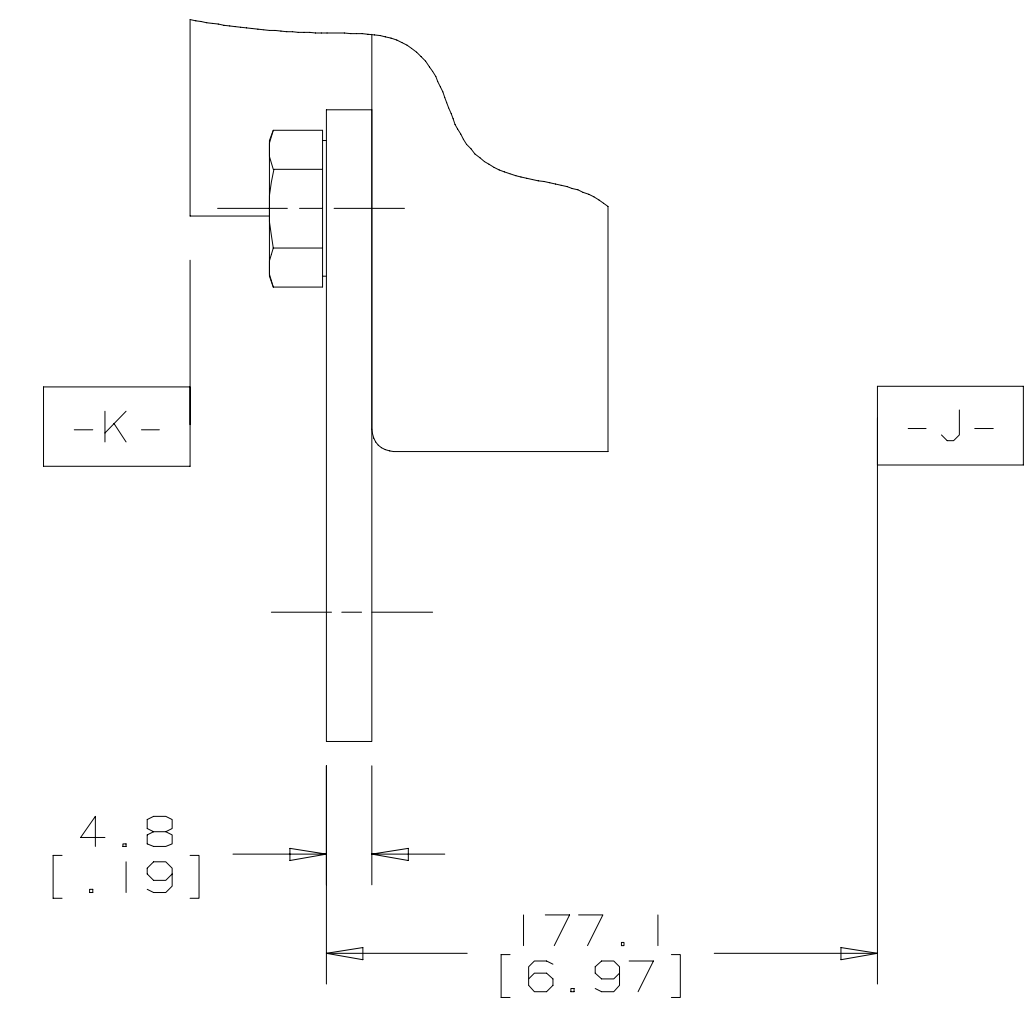
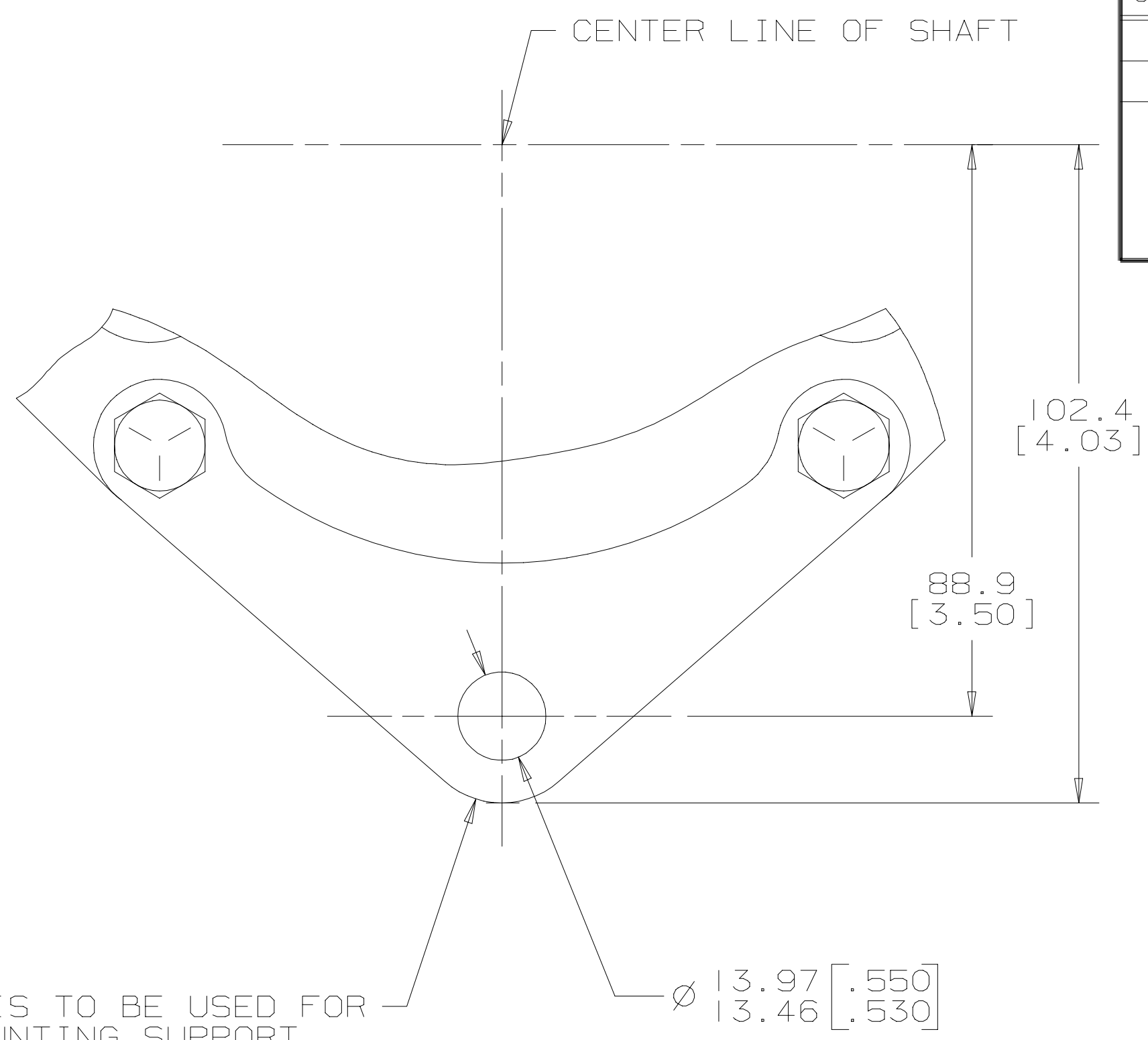


SYM	REVISION	BY	DATE	ECN
A	ENGINEERING RELEASE	DLM	05-07-91	20150
B	REDRAWN ON NEW FORMAT	DLM	10-28-92	22999



THIS BRACKET IS TO BE USED FOR
ADDITIONAL MOUNTING SUPPORT
THE TWO BOLT 'B' MOUNT IS NOT
SUFFICIENT TO SUPPORT THE
COMPLETE TANDEM UNIT

G H

UNLESS OTHERWISE SPECIFIED ALL DIMENSIONS ARE IN INCHES <input type="checkbox"/> MILLIMETERS [INCHES] <input checked="" type="checkbox"/> TOLERANCES .X ± - .XX ± REF .XXX ± REF ANGLES ± - UNSPECIFIED RADII ARE - UNSPECIFIED DRAFT ANGLES ARE - DRAWING FORMAT CADD <input checked="" type="checkbox"/> MANUAL <input type="checkbox"/>	DRAWING BASED ON ANSI Y14.5M-1982		
	THE REPRODUCTION, DISTRIBUTION, AND UTILIZATION OF THIS DOCUMENT, AS WELL AS THE COMMUNICATION OF ITS CONTENTS TO OTHERS WITHOUT EXPLICIT AUTHORIZATION IS PROHIBITED. OFFENDERS WILL BE HELD LIABLE FOR THE PAYMENT OF DAMAGES. ALL RIGHTS RESERVED IN THE EVENT OF THE GRANT OF A PATENT, UTILITY MODEL, OR DESIGN. (PER ISO 16016)		
	DRAWN BY/DATE DLM 3/12/91 CHECKED BY/DATE CMJ 7/23/91 ENGRG BY/DATE DMW 9/10/92 METALLURGY BY/DATE	MATERIAL/HEAT TREAT TITLE MOUNTING INSTALLATION	
	THIRD ANGLE PROJECTION DO NOT SCALE	NUMBER A-293-001 SCALE 1/1 SHEET 1 OF 1	

