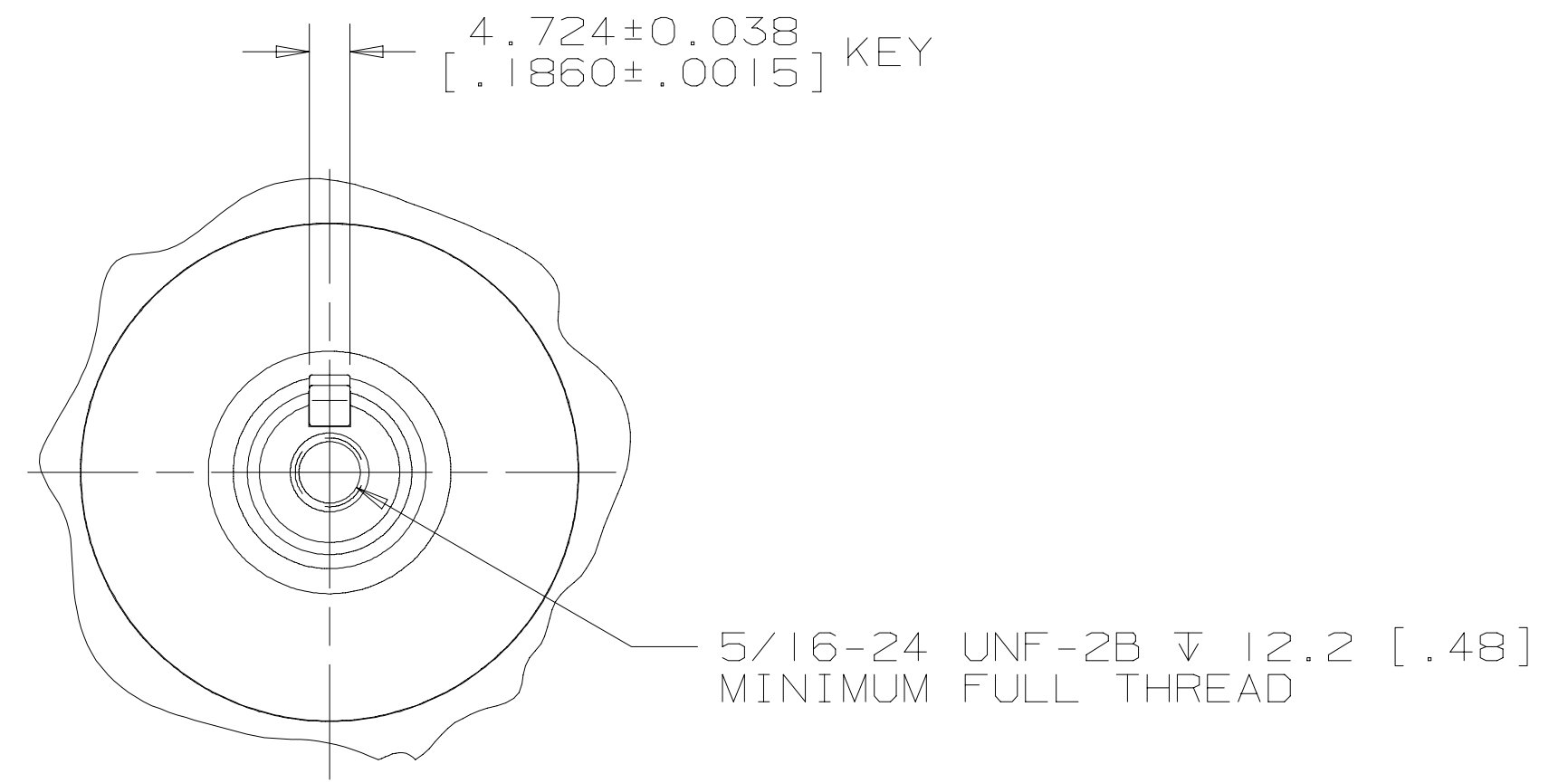
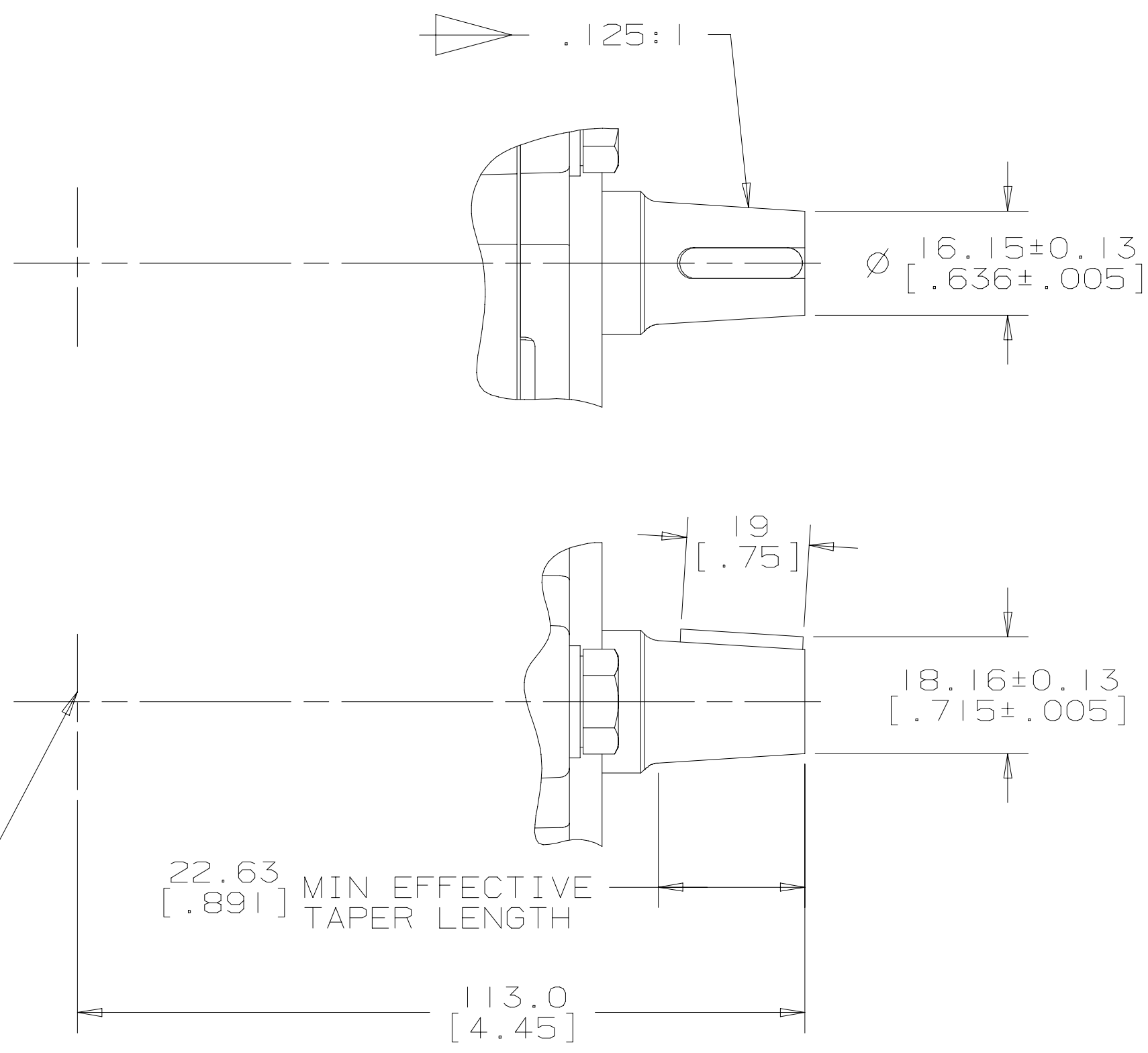


REV	DESCRIPTION	BY	CHK	DATE	ECN
A	RELEASE FOR SAMPLES AND ESTIMATE	MJZ	SSW	5-15-97	MI7162A
D	ENGINEERING RELEASE -1)REVISED	DLL	SSW	10-31-01	39552



CONTROL ARM SHOWN AT NEUTRAL

CENTERLINE OF DRIVE SHAFT (SHOWN IN FRONT VIEW)

UNLESS OTHERWISE SPECIFIED ALL DIMENSIONS ARE IN INCHES <input type="checkbox"/> MILLIMETERS <input checked="" type="checkbox"/> [INCHES]	DRAWING BASED ON ANSI Y14.5M-1982	
	THE REPRODUCTION, DISTRIBUTION, AND UTILIZATION OF THIS DOCUMENT, AS WELL AS THE COMMUNICATION OF ITS CONTENTS TO OTHERS WITHOUT EXPLICIT AUTHORIZATION IS PROHIBITED. OFFENDERS WILL BE HELD LIABLE FOR THE PAYMENT OF DAMAGES. ALL RIGHTS RESERVED IN THE EVENT OF THE GRANT OF A PATENT, UTILITY MODEL, OR DESIGN. (PER ISO 16016)	
TOLERANCES .X ± ---- .XX ± ---- .XXX ± ---- < ± ----	DRAWN BY/DATE MJZ 5-21-97 CHECKED BY/DATE SSW 5-22-97 ENGRG BY/DATE SSW 5-22-97 METALLURGY ---- BY/DATE	MATERIAL/HEAT TREAT TITLE CONTROL SHAFT INSTALL
UNSPECIFIED RADII ARE ----	THIRD ANGLE PROJECTION DO NOT SCALE	MICROINCHES <input type="checkbox"/> MICROMETERS <input type="checkbox"/> [MICROINCHES] ARITHMETICAL AVERAGE <input checked="" type="checkbox"/>
UNSPECIFIED DRAFT ANGLES ARE ----	DRAWING FORMAT CADD <input checked="" type="checkbox"/> MANUAL <input type="checkbox"/>	NUMBER A-292-035 SCALE 1/1 SHEET 1 OF 1

