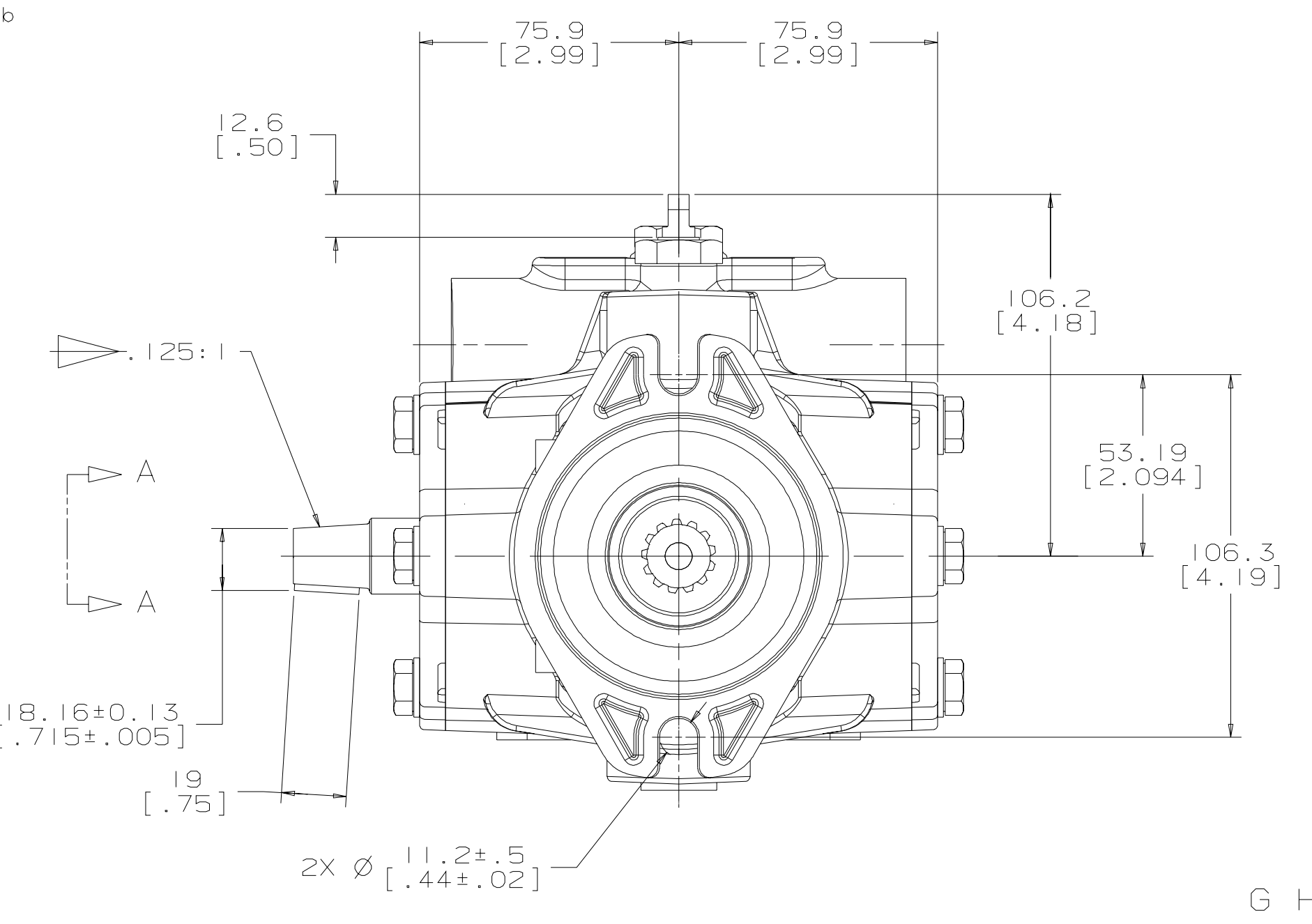
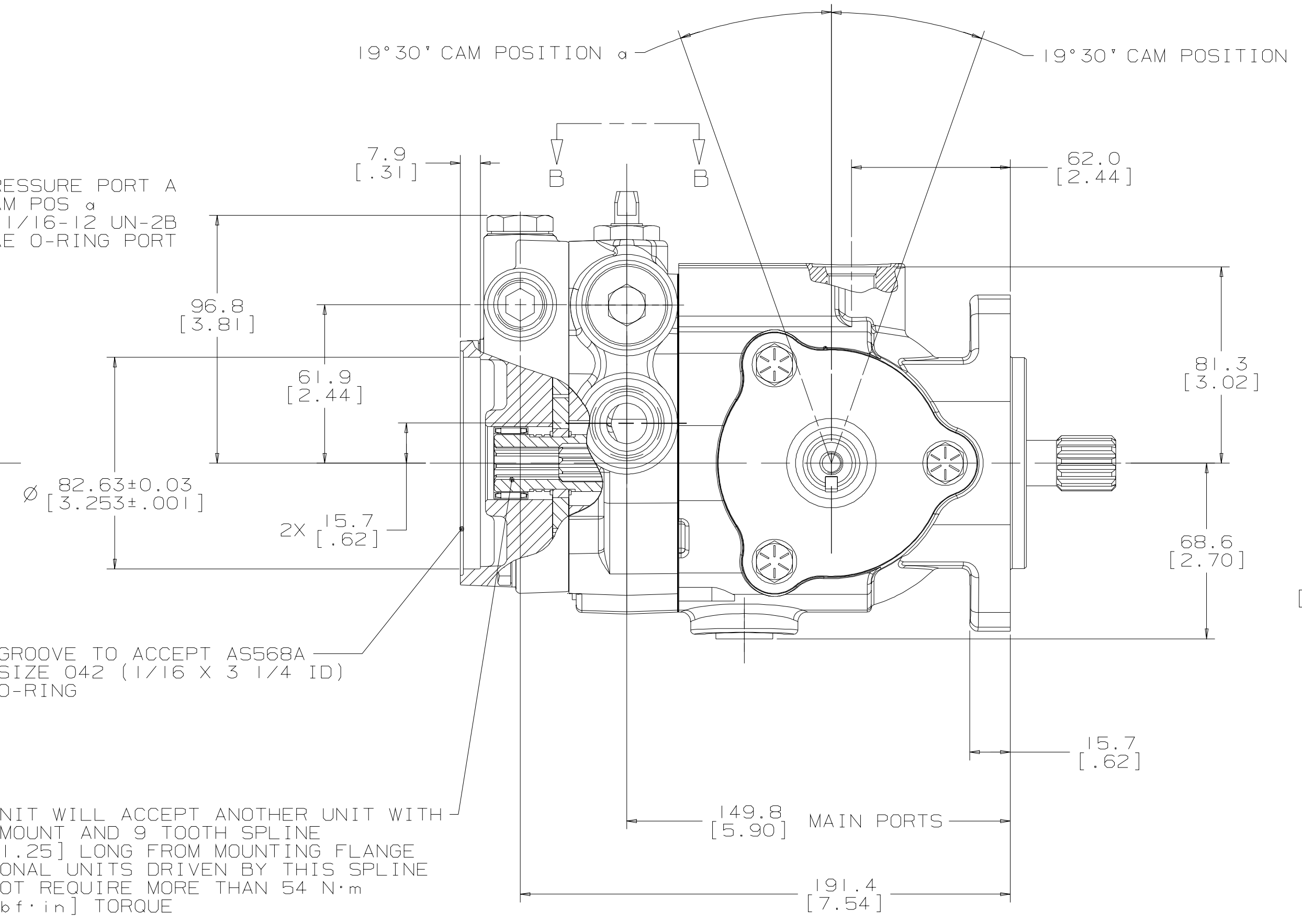
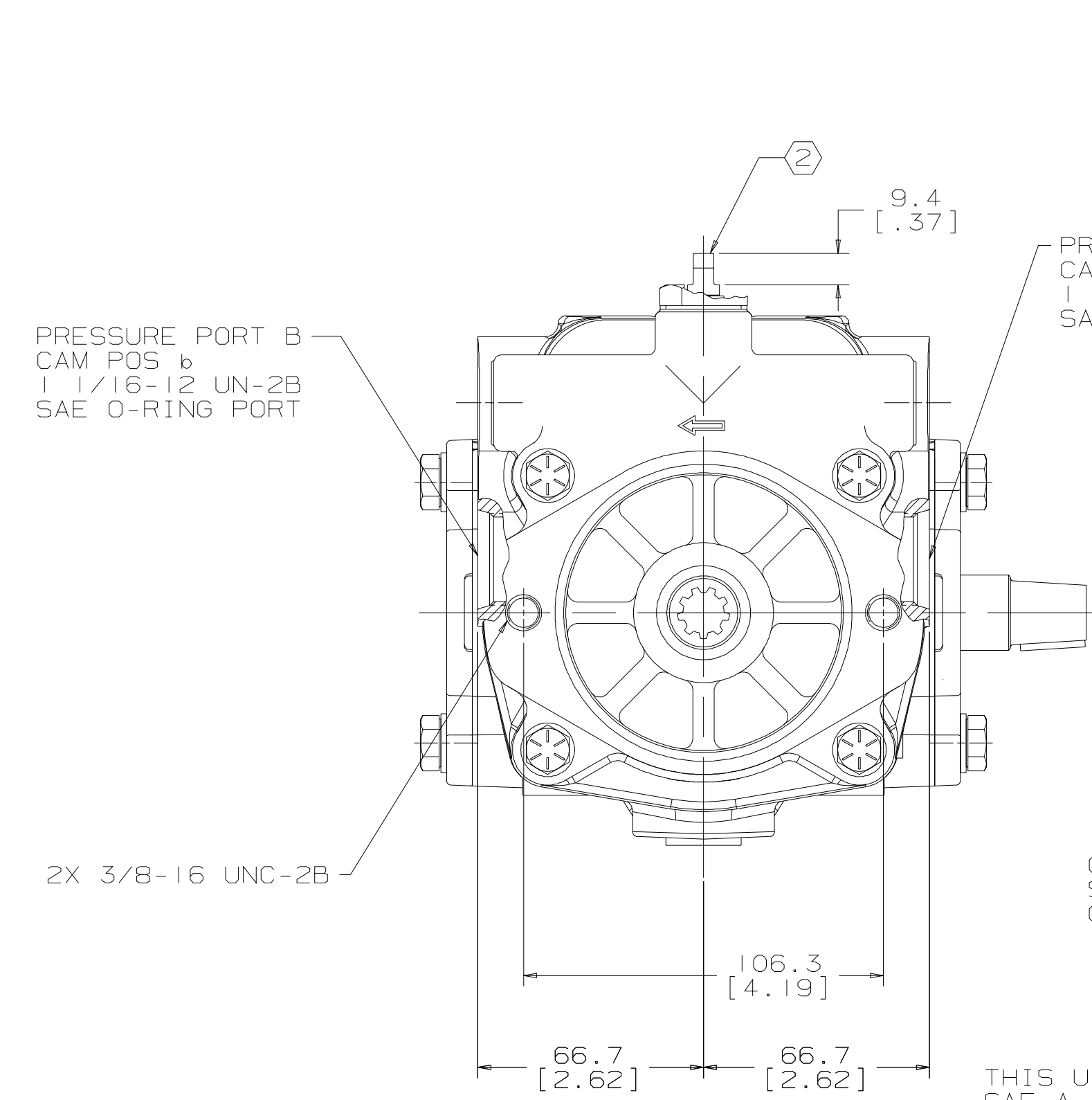
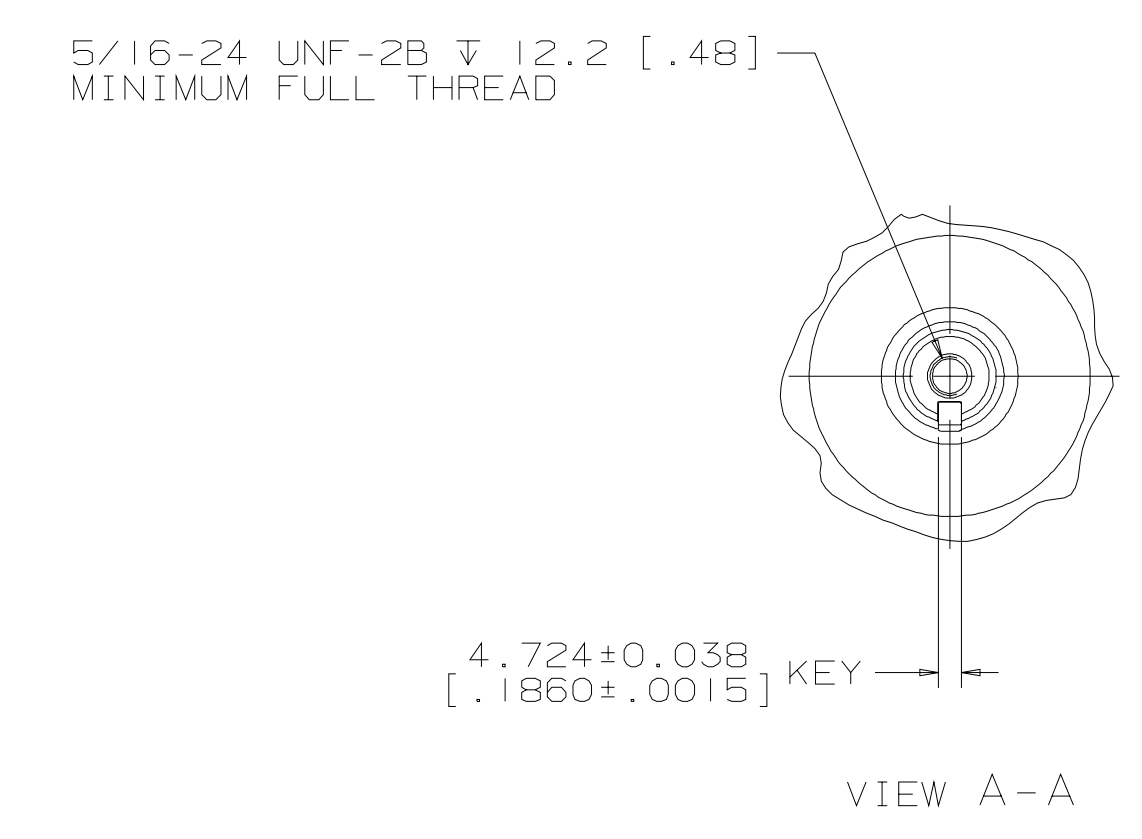
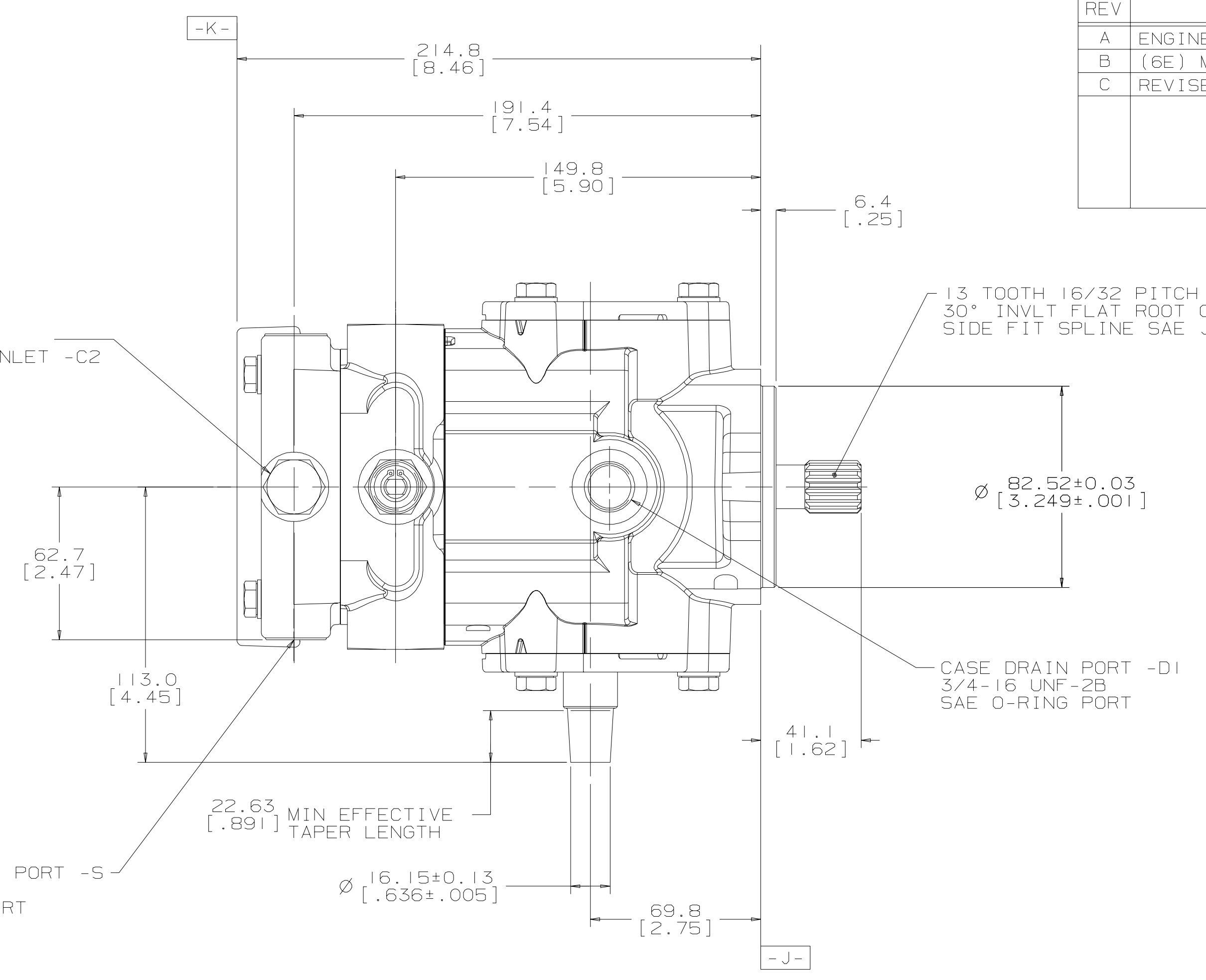
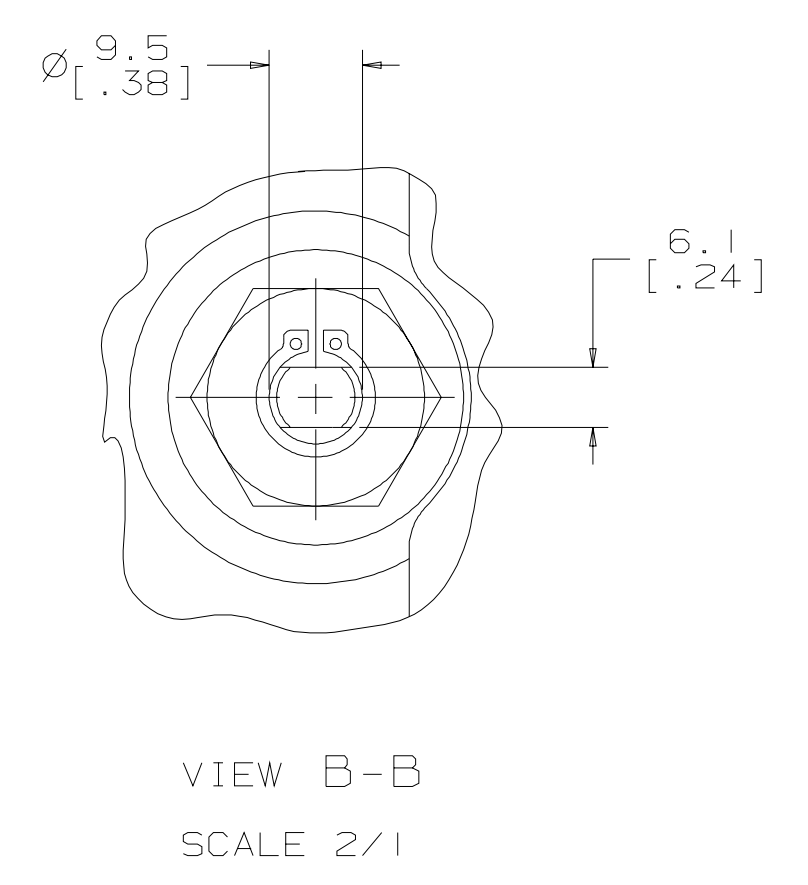


REV	DESCRIPTION	BY	CHK	DATE	ECN
A	ENGINEERING RELEASE	DLL	SSW	10-2-00	36543
B	(6E) MIN EFFECTIVE TAPER LENGTH WAS 21.28 [.838]	DLL	SSW	10-31-01	39552
C	REVISED PICTORIALY	DLL	SSW	11-20-02	39352

NOTE

1 UNIT MUST BE INSTALLED IN SUCH A POSITION THAT THE CASE DRAIN ASSURES AN OIL LEVEL AT OR ABOVE UNIT CENTERLINE OIL LEVEL MUST BE AT CENTERLINE OR ABOVE BEFORE STARTING

2 CAUTION THIS BYPASS VALVE IS TO BE USED IN CASE OF EMERGENCY ONLY EXCESS TOWING MAY DAMAGE HYDRAULIC SYSTEM BEFORE TOWING VEHICLE TURN VALVE 90° TO DE-CLUTCH DO NOT TURN WHILE VEHICLE IS RUNNING



THIS UNIT WILL ACCEPT ANOTHER UNIT WITH SAE A MOUNT AND 9 TOOTH SPLINE 31.8 [1.25] LONG FROM MOUNTING FLANGE ADDITIONAL UNITS DRIVEN BY THIS SPLINE MUST NOT REQUIRE MORE THAN 54 N·m [480 lbf·in] TORQUE

UNLESS OTHERWISE SPECIFIED ALL DIMENSIONS ARE IN INCHES <input type="checkbox"/> MILLIMETERS <input checked="" type="checkbox"/>		DRAWING BASED ON ANSI Y14.5M-1982	
TOLERANCES		THE REPRODUCTION, DISTRIBUTION, AND UTILIZATION OF THIS DOCUMENT, AS WELL AS THE COMMUNICATION OF ITS CONTENTS TO OTHERS WITHOUT EXPLICIT AUTHORIZATION IS PROHIBITED. OFFENDERS WILL BE HELD LIABLE FOR THE PAYMENT OF DAMAGES. ALL RIGHTS RESERVED IN THE EVENT OF THE GRANT OF A PATENT, UTILITY MODEL, OR DESIGN. (PER ISO 16016)	
.X ±----	---	DRAWN BY/DATE DLL 10-30-00	MATERIAL/HEAT TREAT
.XX ±----	---	CHECKED BY/DATE SSW 10-31-00	
.XXX ±----	---	ENGR BY/DATE SSW 10-31-00	TITLE
∠ ----	---	METALLURGY----	SERIES 160 PISTON PUMP INSTALLATION
UNSPECIFIED RADII ARE ----	---	THIRD ANGLE PROJECTION	NUMBER
UNSPECIFIED DRAFT ANGLES ARE ----	---	DO NOT SCALE	70160-RAJ-03
DRAWING FORMAT CAD <input checked="" type="checkbox"/> MANUAL <input type="checkbox"/>	ARITHMETICAL AVERAGE	SCALE 1/1	SHEET 1 OF 1

