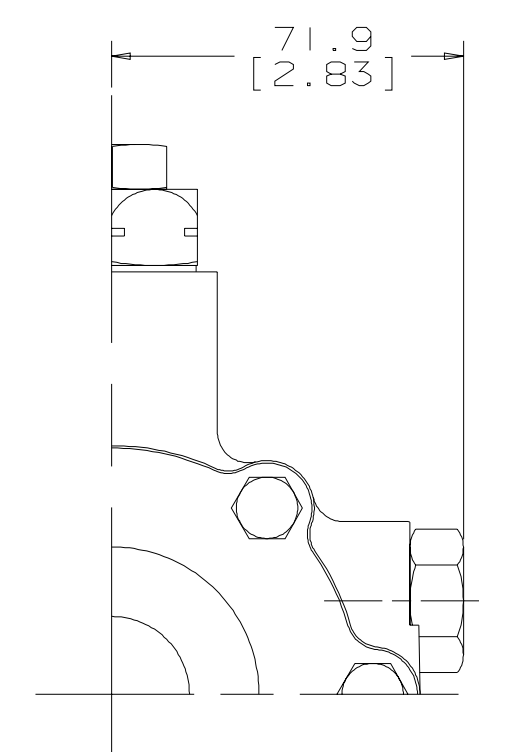
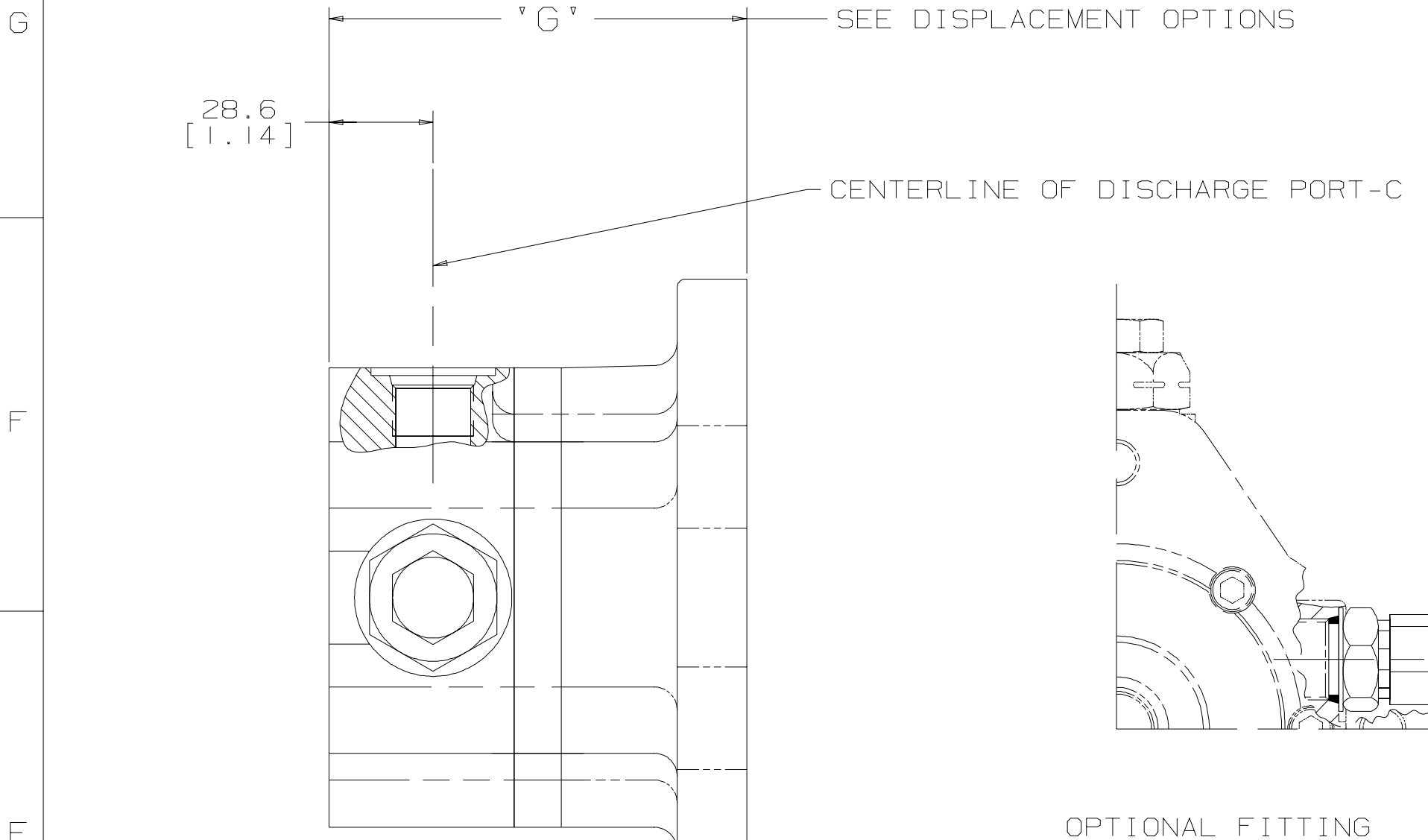
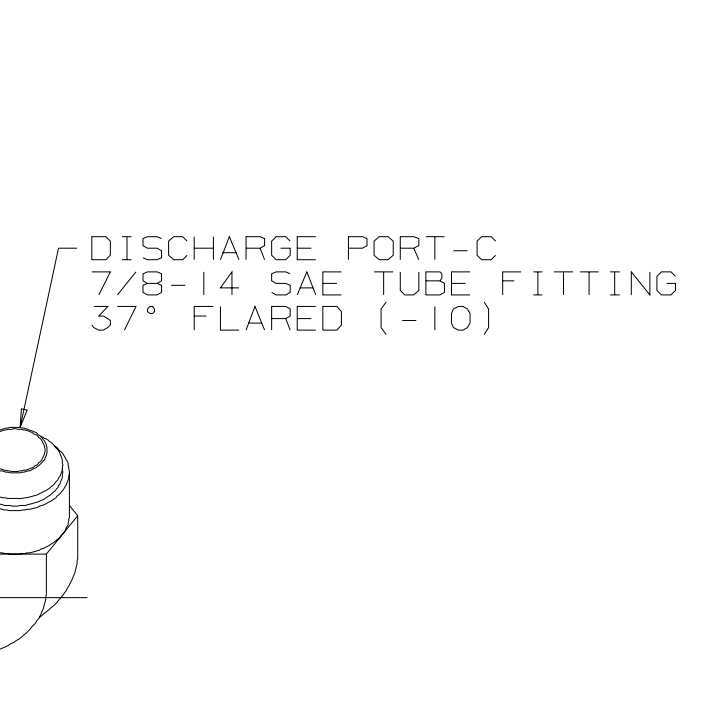
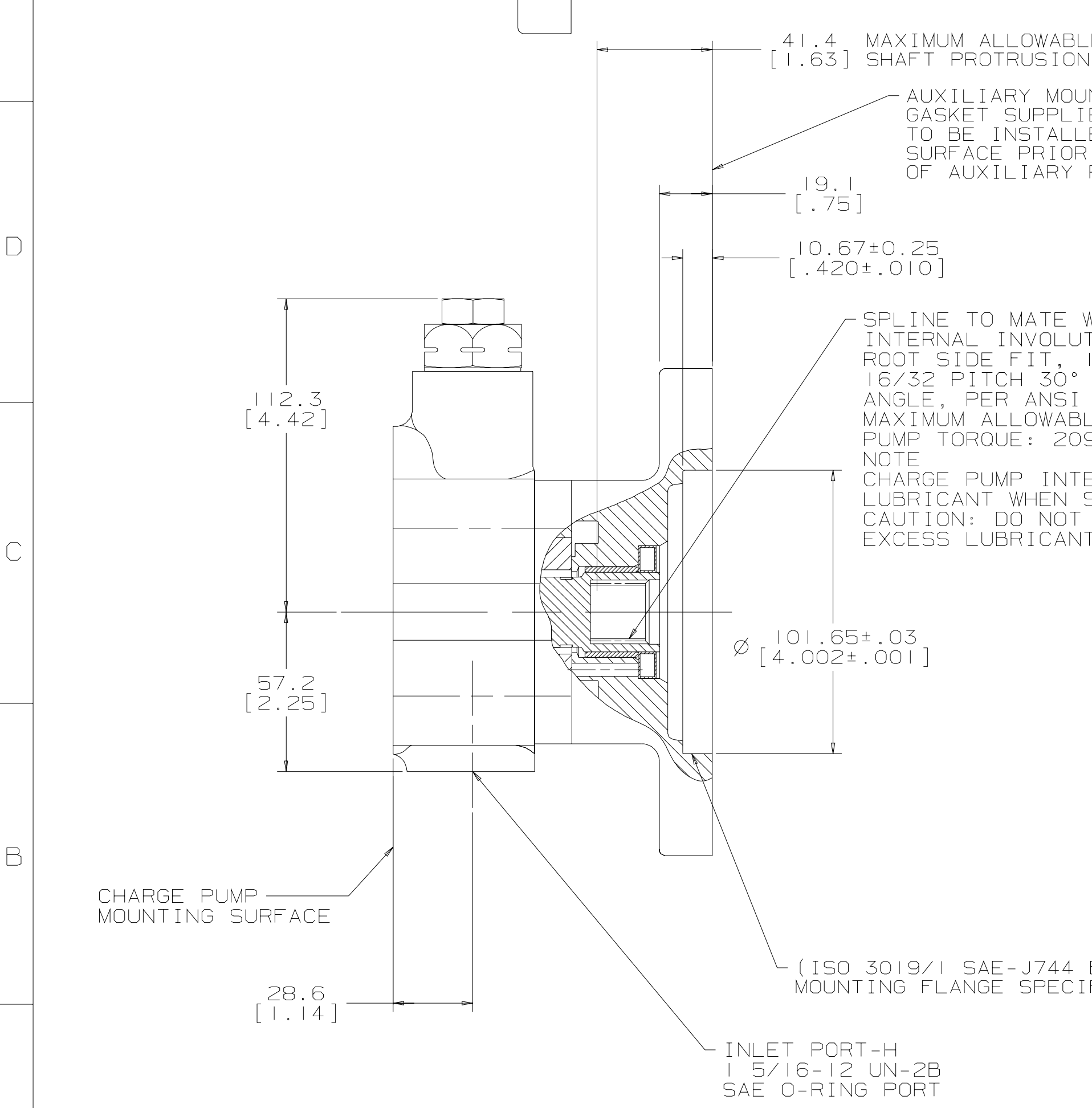


CHARGE PUMP DISPLACEMENT	G
13.9 cm ³ /r [.85 in ³ /r]	114.6 [4.51]
17.4 cm ³ /r [1.06 in ³ /r]	117.8 [4.64]
21.0 cm ³ /r [1.28 in ³ /r]	121.0 [4.76]
27.9 cm ³ /r [1.70 in ³ /r]	127.3 [5.01]
34.7 cm ³ /r [2.12 in ³ /r]	133.7 [5.26]

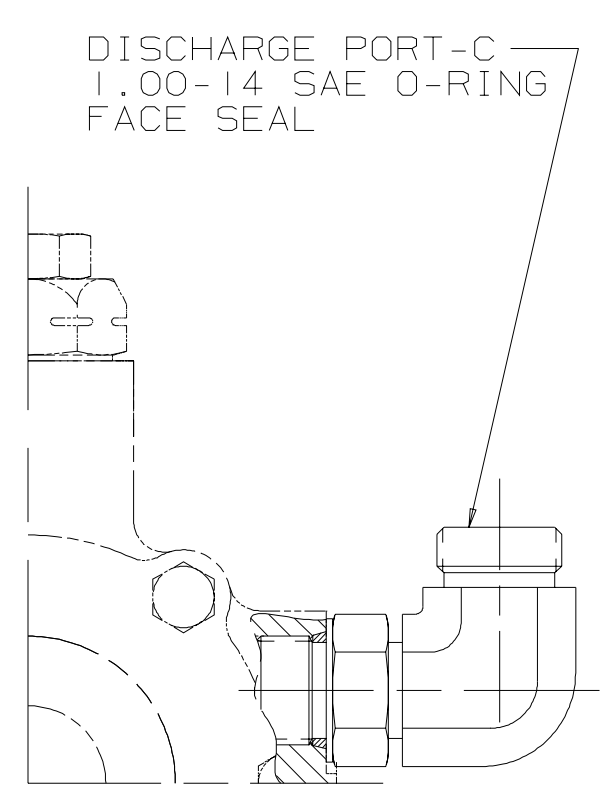
REV	DESCRIPTION	BY	DATE	ECN
A	ENGINEERING RELEASE	BS	3-21-85	5699
E	REVISED AND REDRAWN ON CAD	MJZ	7-15-93	M10823
F	-1)(5G)ADD OPTIONAL DISCHARGE PORT WITH -10 O-RING PLUG -2)(1A)TITLE WAS BUSHING CHARGE PUMP W/FULL RATED B-PAD AND DISCHARGE PORT -3)"DISCHARGE" WAS "PRESSURE"ON ALL CALLOUTS	RRB	10-26-94	26070
G	-1)(2C)ADDED OPTIONAL FITTING IN INLET PORT-H -2)(2E,2F,2G)UPDATED SCHEMATIC	CLL	11-28-95	M14494
H	(6C)ADDED SPLINE LUBRICANT NOTE	JED	6-9-99	32996
J	REVISED SCHEMATIC	EMR	2-27-02	40356
K	(4E)ADDED OPTIONAL O-RING FACE SEAL FITTING	MJ	7-16-08	M73506A



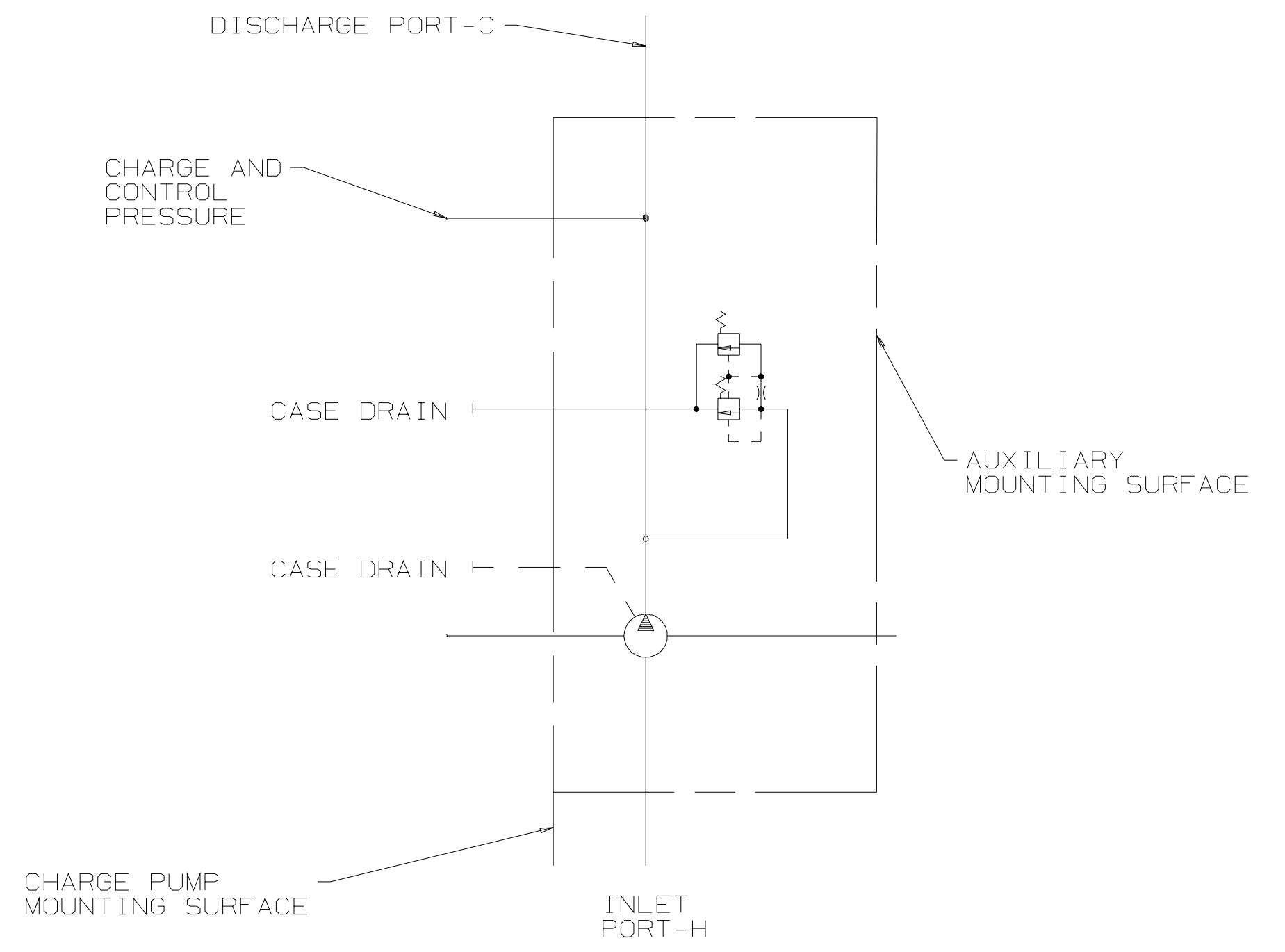
OPTIONAL DISCHARGE PORT WITH -10 O-RING PLUG



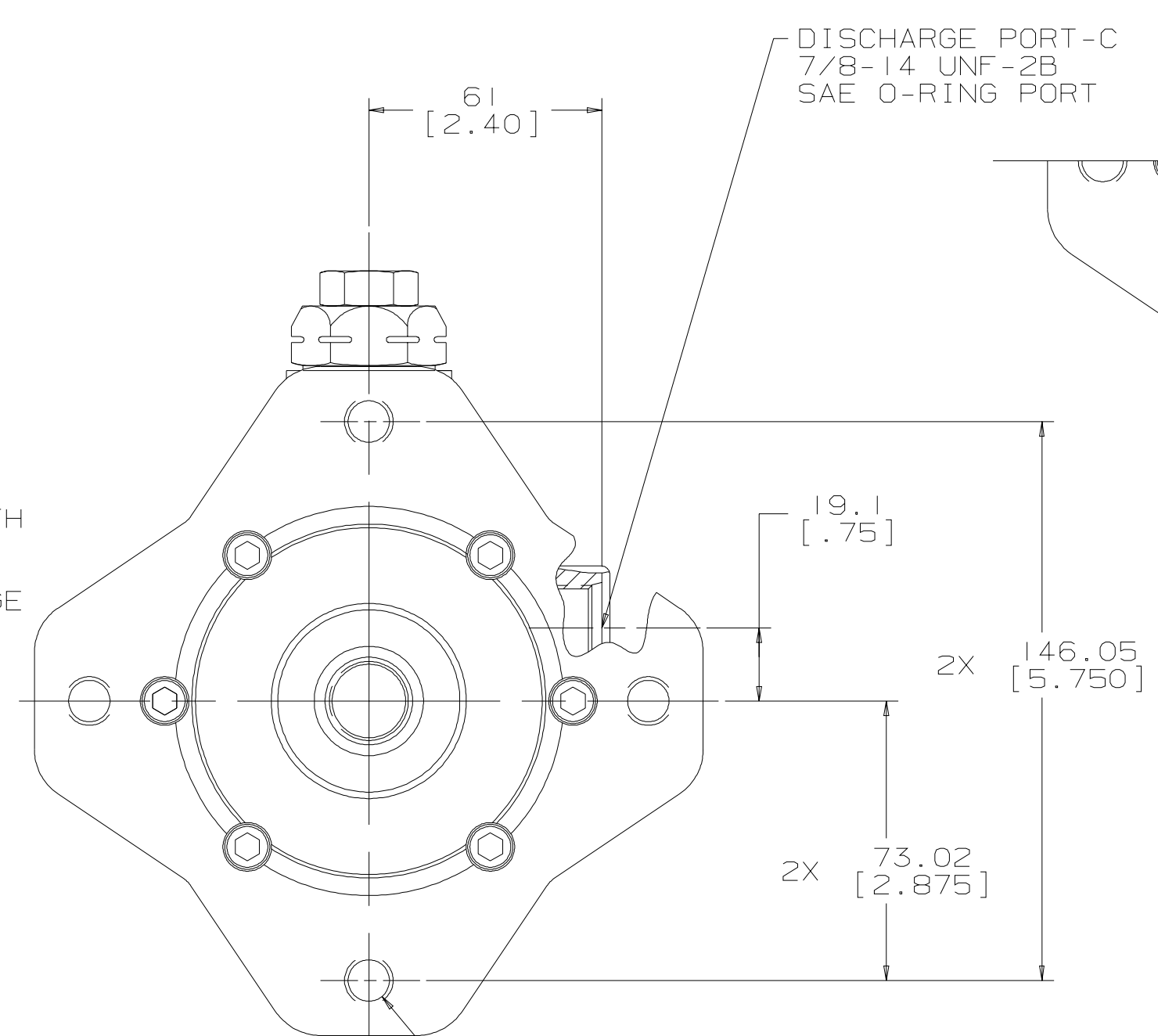
DISCHARGE PORT-C 7/8-14 SAE TUBE FITTING 37° FLARED (-10)



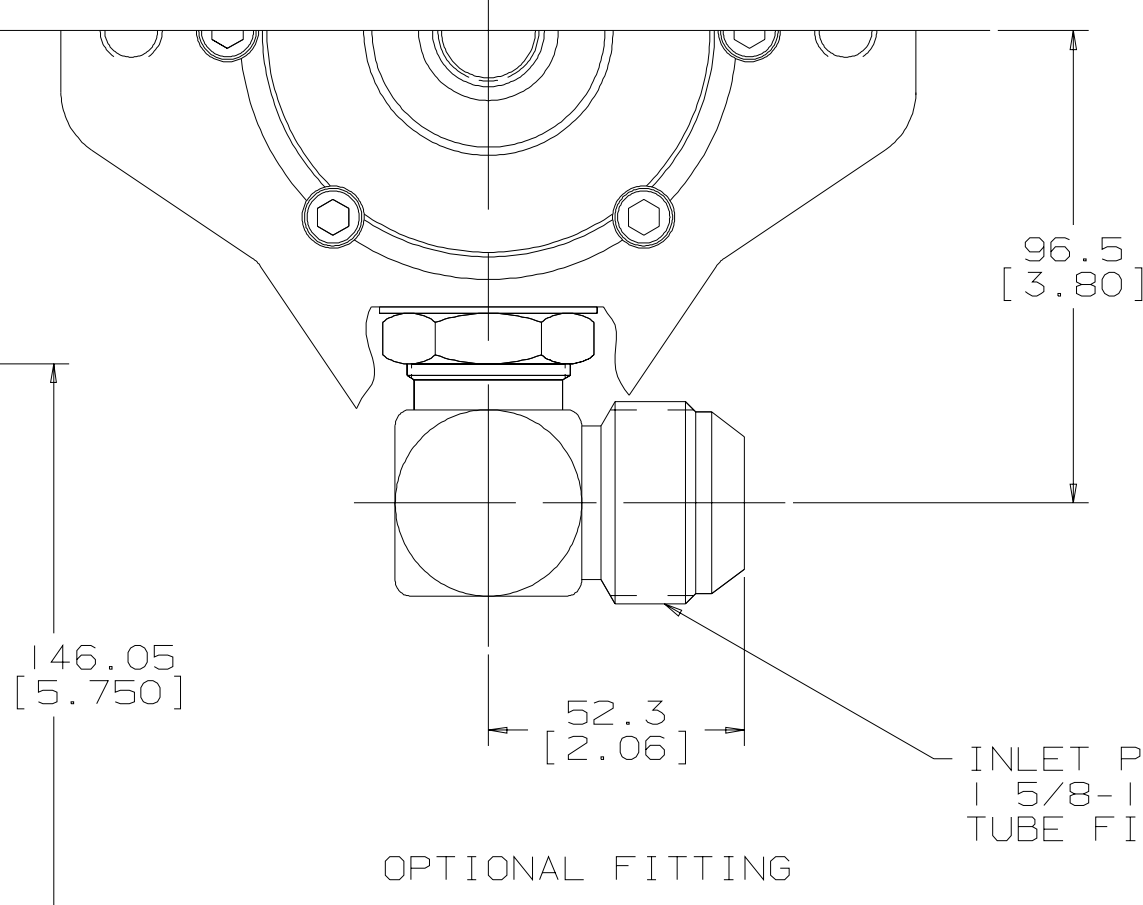
OPTIONAL DISCHARGE PORT WITH SAE O-RING FACE SEAL



CHARGE PUMP WITH DISCHARGE PORT SCHEMATIC



DISCHARGE PORT-C 7/8-14 UNF-2B SAE O-RING PORT



OPTIONAL FITTING INLET PORT-H 1 5/8-12 UN-2A SAE TUBE FITTING 37° FLARE

- NOTE
- UNLESS OTHERWISE SPECIFIED ALL DIMENSIONS ARE NOMINAL
 - ALL PORTS SEALED FOR SHIPMENT

UNLESS OTHERWISE SPECIFIED ALL DIMENSIONS ARE IN INCHES <input type="checkbox"/> MILLIMETERS <input checked="" type="checkbox"/>		DRAWING BASED ON ANSI Y14.5M-1982	
TOLERANCES		NOTICE TO PERSONS RECEIVING THIS DRAWING AND / OR TECHNICAL INFORMATION	
.x ± .---	---	Eaton Corporation claims proprietary rights in the information disclosed hereon. This document is issued in confidence and is not to be reproduced or used to manufacture anything shown hereon without the written permission of the Eaton Corporation.	
.xxx ± REF	---		
.xxx ± ONLY	---		
∠ ± .---	---	Eaton Corporation Hydraulic Division 15151 Highway 5, Eden Prairie, MN 55344	
UNSPECIFIED RADIUS ARE	---	MATERIAL/HEAT TREAT	
UNSPECIFIED DRAFT ANGLES ARE	---	DRAWN BY/DATE B STARK 5-16-85	
---	---	CHECKED BY/DATE JED 5-21-85	
---	---	ENGRS BY/DATE	
---	---	METALLURGY BY/DATE	
---	---	TITLE B-PAD CHARGE PUMP WITH DISCHARGE PORT	
---	---	NUMBER 103527-000	
DRAWING FORMAT CAD <input checked="" type="checkbox"/> MANUAL <input type="checkbox"/>	DO NOT SCALE	SCALE 1/1	SHEET 1 OF 1