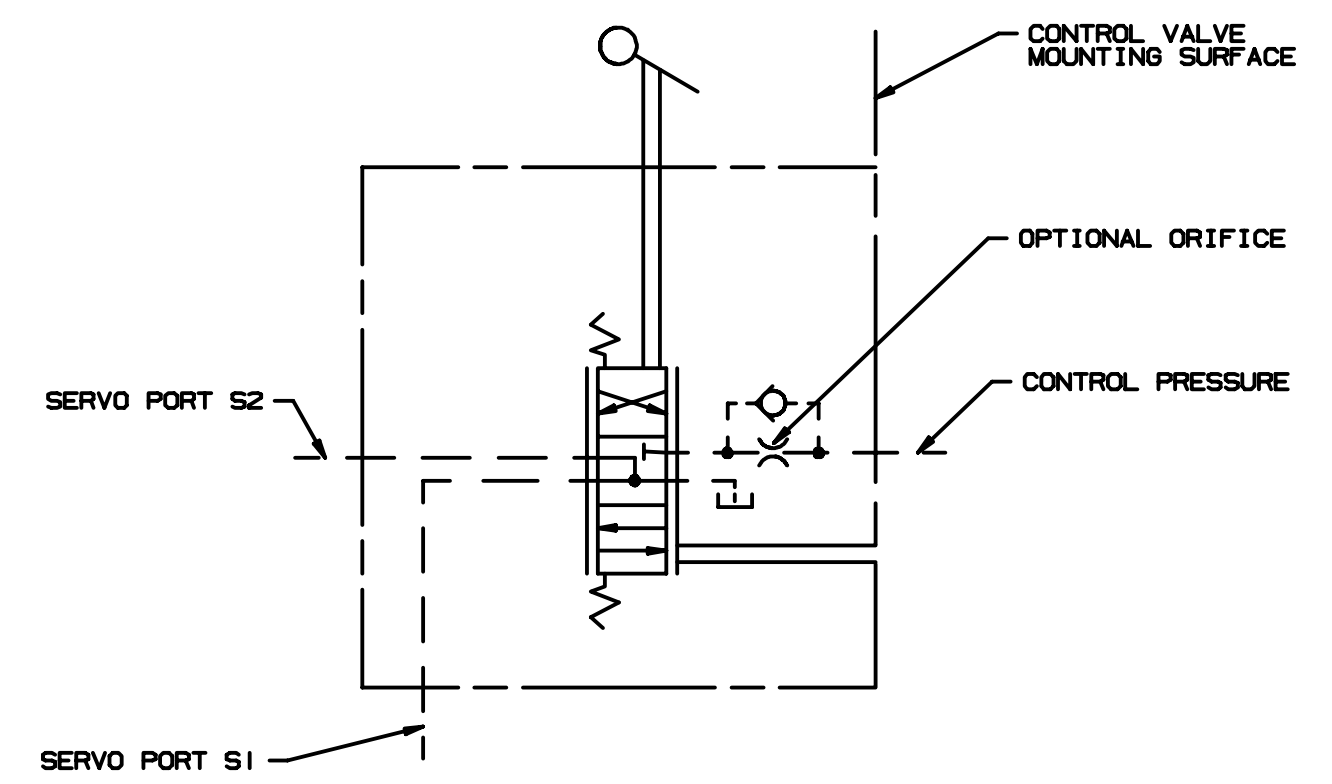
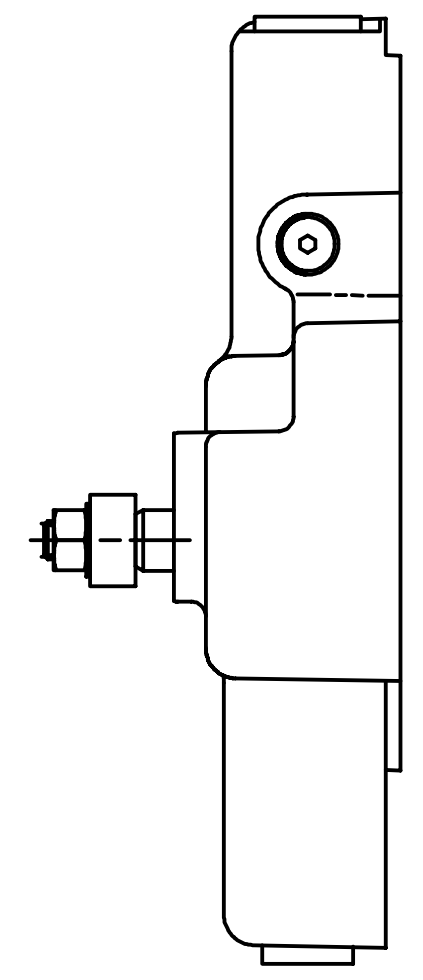
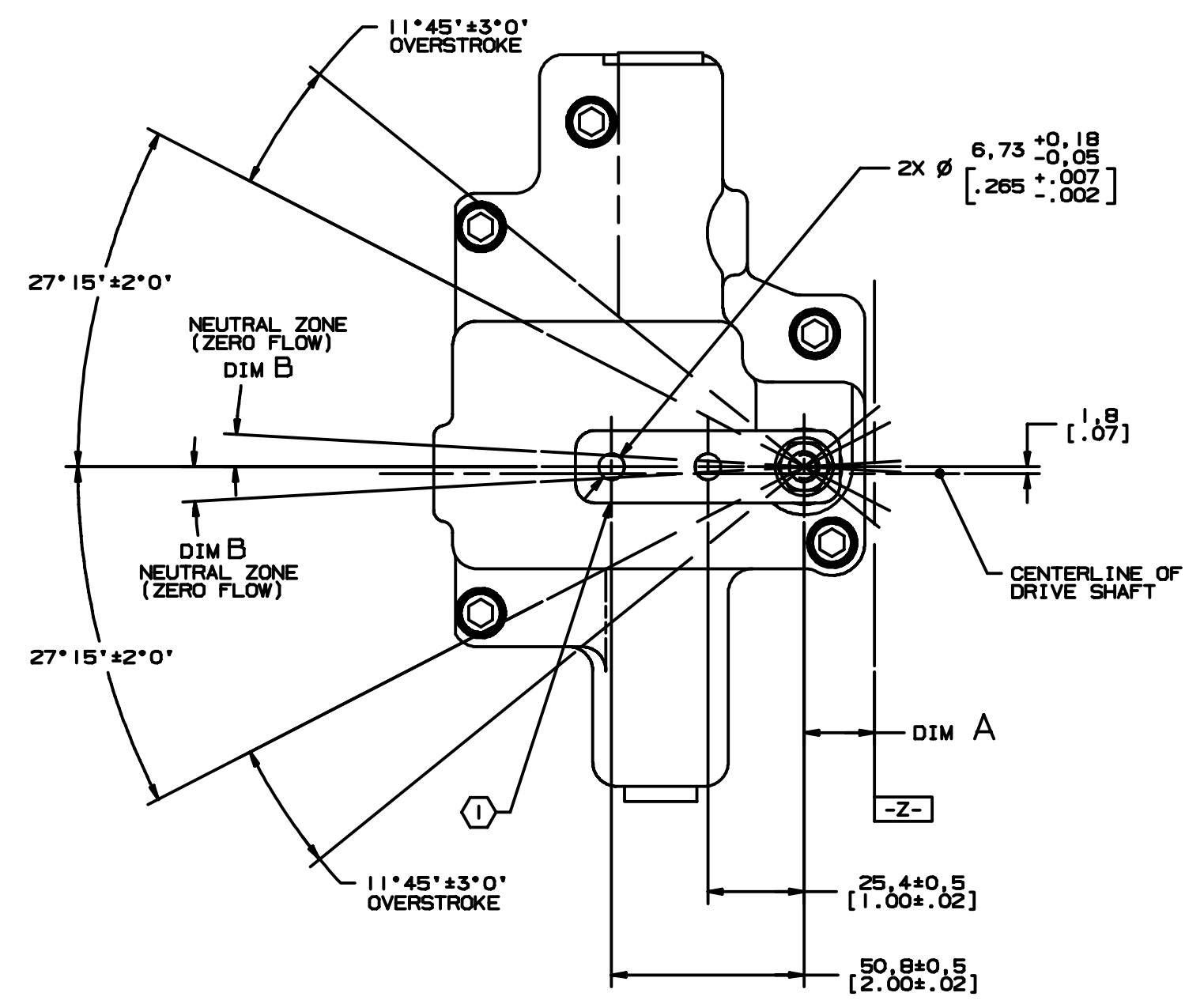
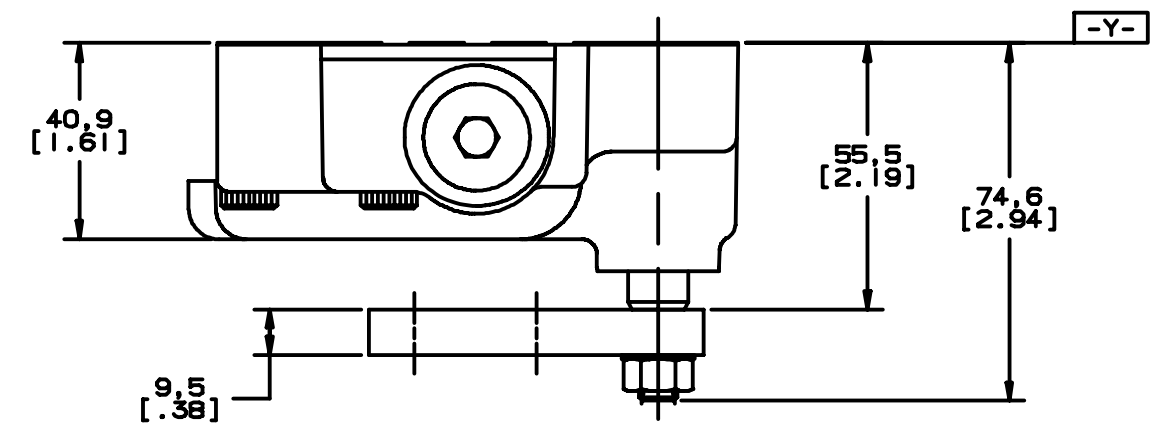


DISPLACEMENT	DIM A
54,34 cm ³ /r [3.316 in ³ /r]	18,5 [.73]
63,66 cm ³ /r [3.885 in ³ /r]	18,5 [.73]
75,28 cm ³ /r [4.594 in ³ /r]	18,5 [.73]
89,13 cm ³ /r [5.439 in ³ /r]	107,3 [1.17]
105,4 cm ³ /r [6.431 in ³ /r]	107,3 [1.17]

CONTROL SPOOL	DIM B
STANDARD	2°30' ±1°45'
WIDE BAND	4°15' ±1°45'

REV	DESCRIPTION	BY	CHK	DATE	ECN
A	RELEASE FOR SAMPLES AND ESTIMATE	RLL		5-9-95	X7920
B	ENGINEERING RELEASE -1)(7B)(7C)DIM B WAS 3°15' ±1°45' -2)(6D)ADD CONTROL SPOOL TAB -3)REVISED PICTORIALLY	JJV		4-15-96	28055
C	(6D)CONTROL SPOOL TAB STANDARD WAS NARROW BAND	JSH		5-15-96	28161
D	REVISED PICTORIALLY	BMS	BCH	11-29-01	39424



NOTE
 (1) RADIAL POSITION OF CONTROL HANDLE TO SHAFT IS OPTIONAL AT 7°30' INCREMENTS. 7°30' INCREMENTS ARE ACHIEVED BY ALTERNATELY TURNING CONTROL HANDLE OVER. 1.1 N·m [10 lbf·in] TORQUE IS REQUIRED FOR FULL CONTROL HANDLE TRAVEL. TOTAL APPLIED TORQUE NOT TO EXCEED 16.9 N·m [150 lbf·in].

INPUT SHAFT ROTATION	CW		CCW	
HANDLE ROTATION	"A" (CCW)	"B" (CW)	"A" (CCW)	"B" (CW)
PORT A FLOW	OUT	IN	IN	OUT
PORT B FLOW	IN	OUT	OUT	IN

UNLESS OTHERWISE SPECIFIED ALL DIMENSIONS ARE IN INCHES <input type="checkbox"/> MILLIMETERS (DIMES) TOLERANCES .XX A --- .XXX A --- < A --- UNSPECIFIED RADII ARE --- UNSPECIFIED CHAMFER ANGLES ARE --- DRAWING FORMALLY CHECKED BY:	DRAWING BASED ON ANSI Y14.5M-1982 THE REPRODUCTION, DISTRIBUTION, AND UTILIZATION OF THIS DOCUMENT, AS WELL AS THE COMMUNICATION OF ITS CONTENTS TO OTHERS WITHOUT EXPLICIT AUTHORIZATION IS PROHIBITED. OFFENDERS WILL BE HELD LIABLE FOR THE PAYMENT OF DAMAGES. ALL RIGHTS RESERVED IN THE EVENT OF THE GRANT OF A PATENT, UTILITY MODEL, OR DESIGN. (PER ISO 16061) Danfoss DATE: RLL 5-23-95 DATE: JGS 12-4-95 DATE: MFW 12-2-95 THIRD ANGLE PROJECTION DO NOT SCALE MATERIAL/HEAT TREAT FILE MANUAL CONTROL INSTALLATION NUMBER A-994-004 SCALE 1/1 SHEET 1 OF 1
--	--