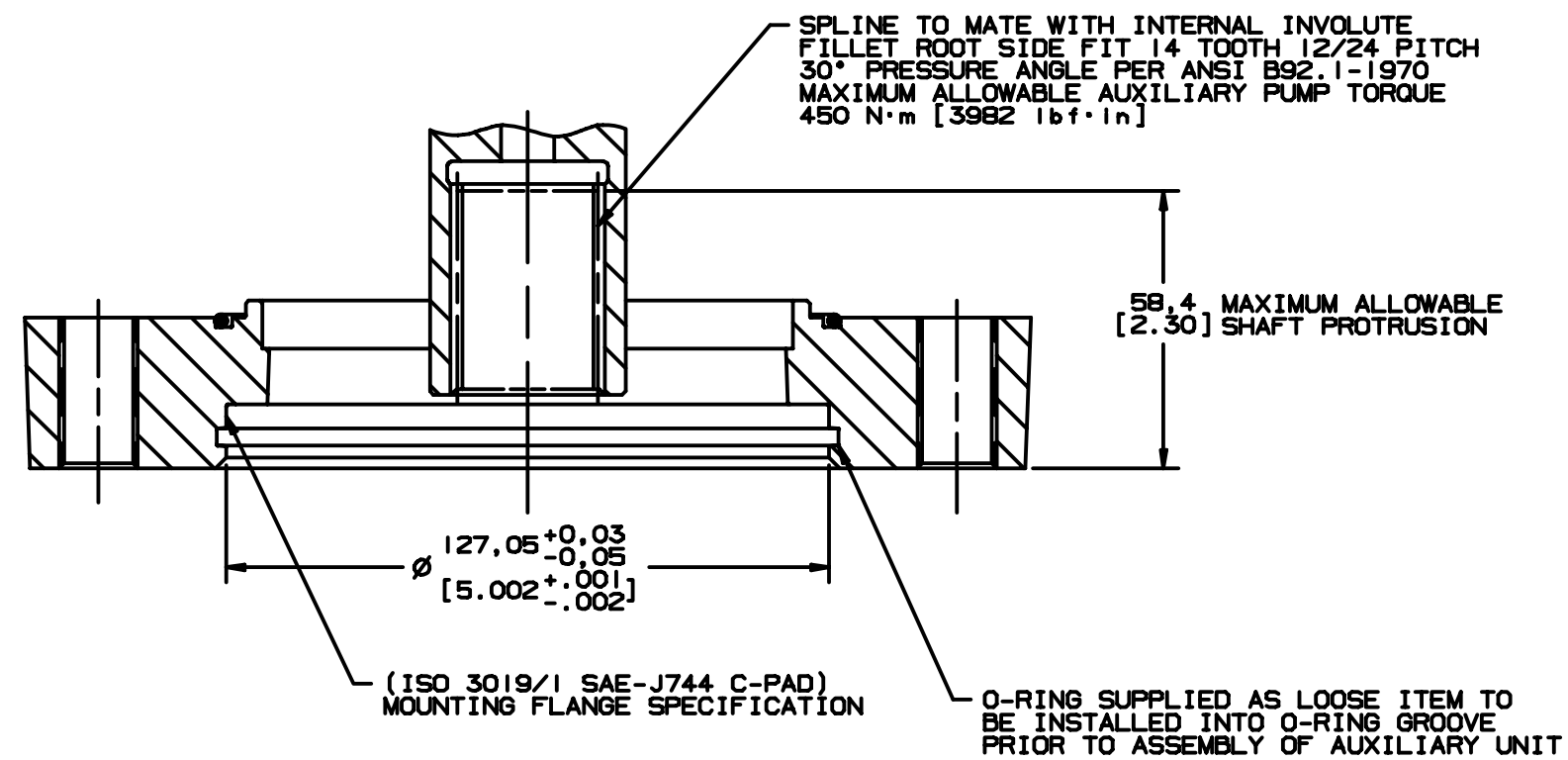
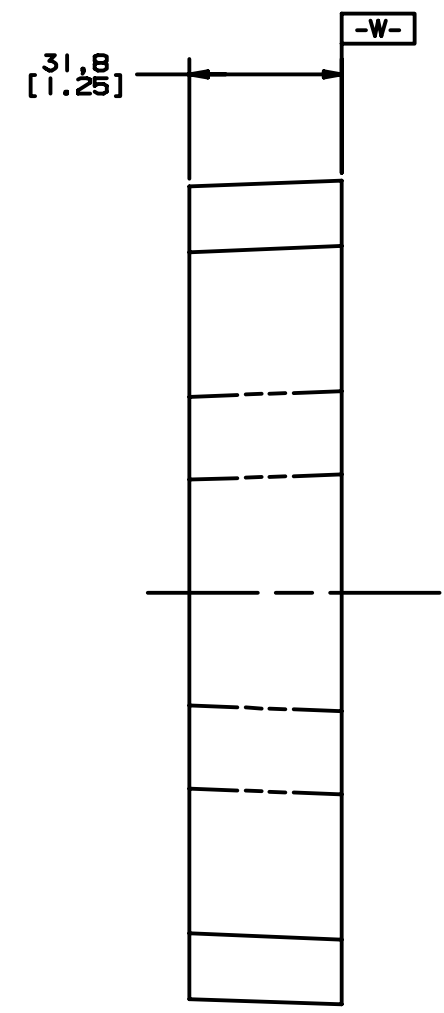
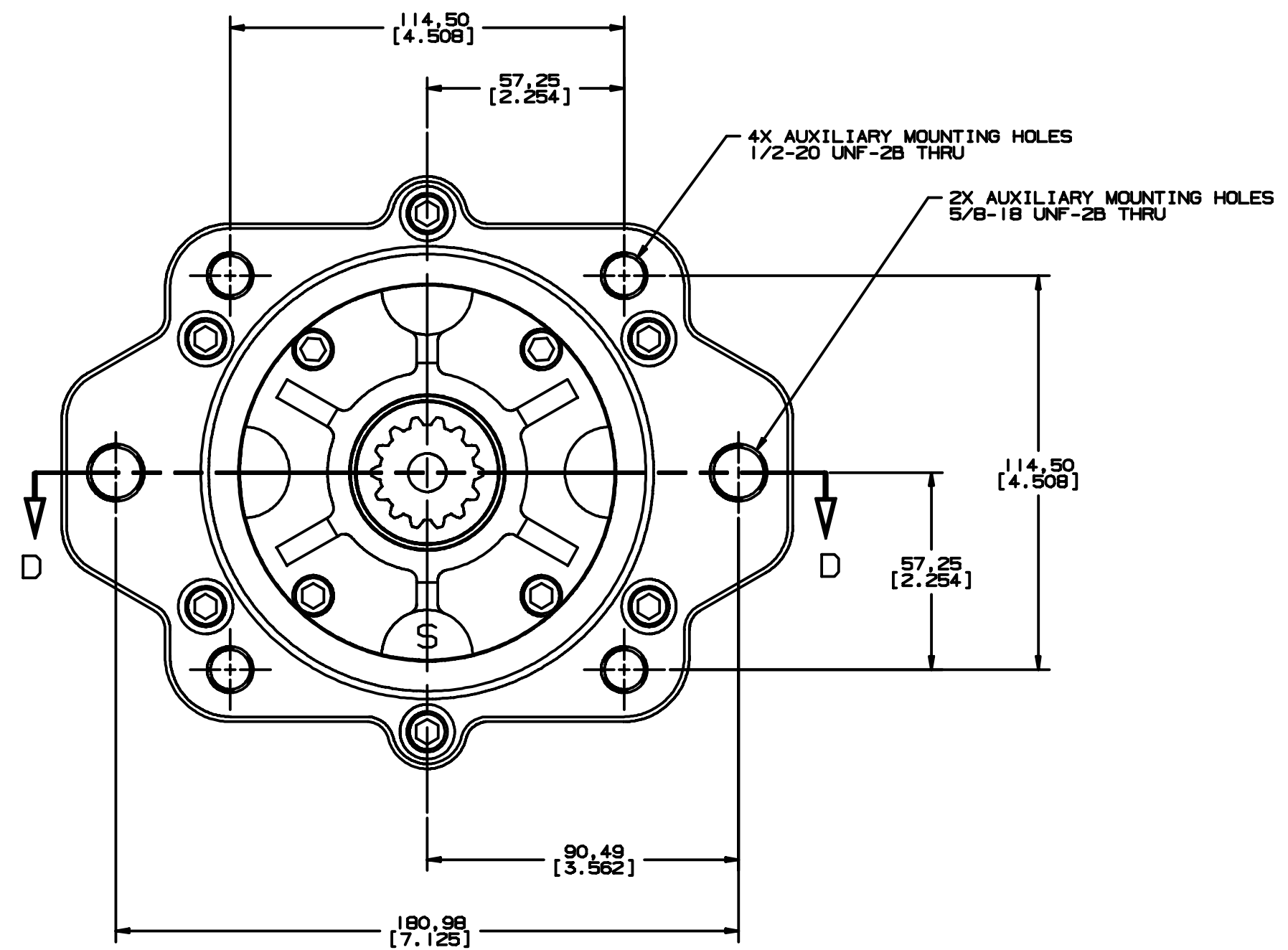


REV	DESCRIPTION	BY	CHK	DATE	ECN
A	RELEASE FOR SAMPLES AND ESTIMATE	RLL		5-9-95	X7920
B	ENGINEERING RELEASE -1) REVISED PICTORIALY	JJV		4-15-96	28055
C	-1) (6B) 4X AUXILIARY MOUNTING HOLES... WAS 6X AUXILIARY MOUNTING HOLES... -2) (5B-7B) ADDED 2X AUXILIARY MOUNTING HOLES... -3) REVISED PICTORIALY	DRH	JED	3-17-98	30824
D	REVISED PICTORIALY TO SECTION D-D	JJV	JED	4-12-99	M20997



SECTION D-D



NOTE
 1 AUXILIARY PAD DOES NOT HAVE A SHAFT SEAL. SPLINES ARE LUBRICATED. AUXILIARY PUMP MUST WITHSTAND A MAX CASE PRESSURE OF 200 lbf/in²

UNLESS OTHERWISE SPECIFIED ALL DIMENSIONS ARE IN INCHES <input type="checkbox"/> DECIMALS <input checked="" type="checkbox"/> MILLIMETERS (DIMES)	DRAWING BASED ON ANSI Y14.5M-1982 NOTICE TO PERSONS RECEIVING THIS DRAWING AND / OR TECHNICAL INFORMATION Eaton Corporation claims proprietary rights in the information disclosed herein. This document is issued in confidence and is not to be reproduced or used to manufacture anything shown herein without the written permission of the Eaton Corporation.	
TOLERANCES .XX ± .001 .XXX ± .001 < ± .001	MATERIAL/TREAT RLL 5-30-95 MFW 12-2-95 MFW 12-2-95	FILE C-PAD ADAPTER INSTALLATION
UNDESIGNATED RADI ARE UNDESIGNATED DRAFT ANGLES ARE DRAWING FORMALLY CHECKED BY:	THIRD ANGLE PROJECTION DO NOT SCALE	MICROFILMS NUMBER A-995-004 SCALE 1/1 SHEET 1 OF 1