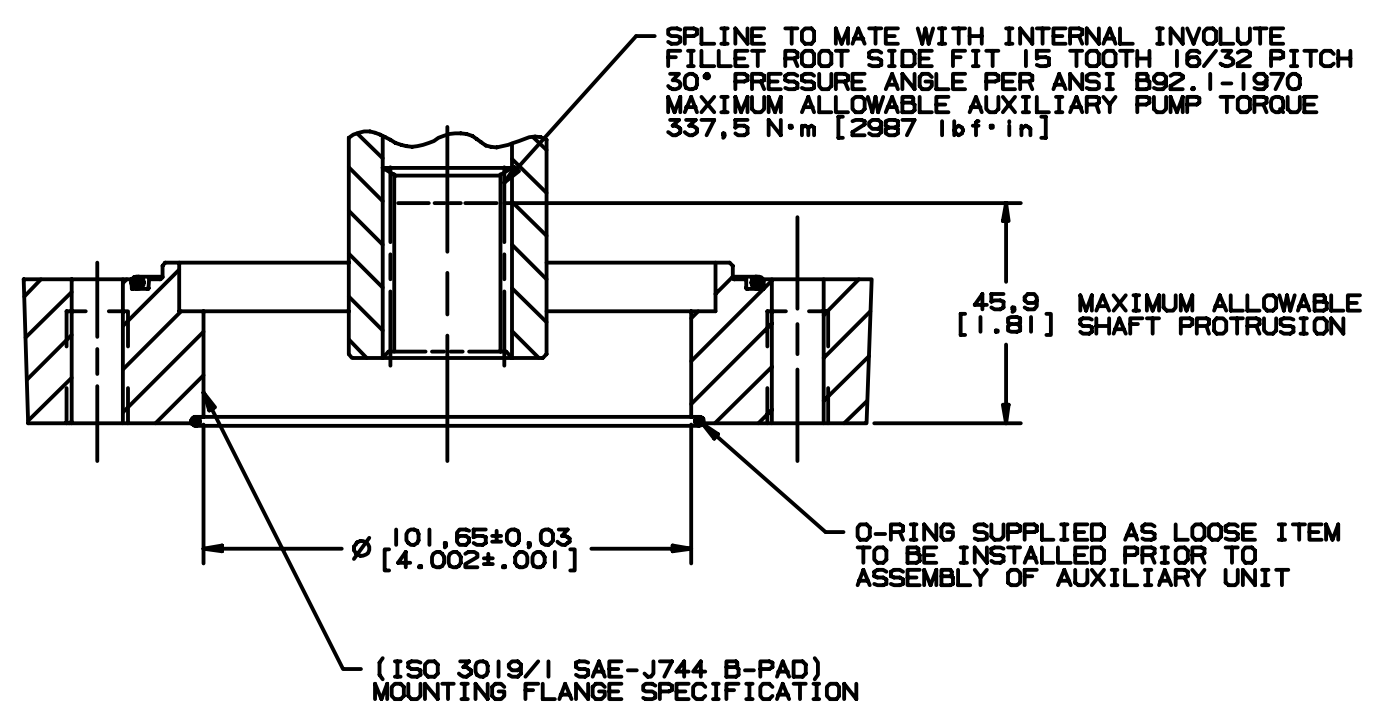
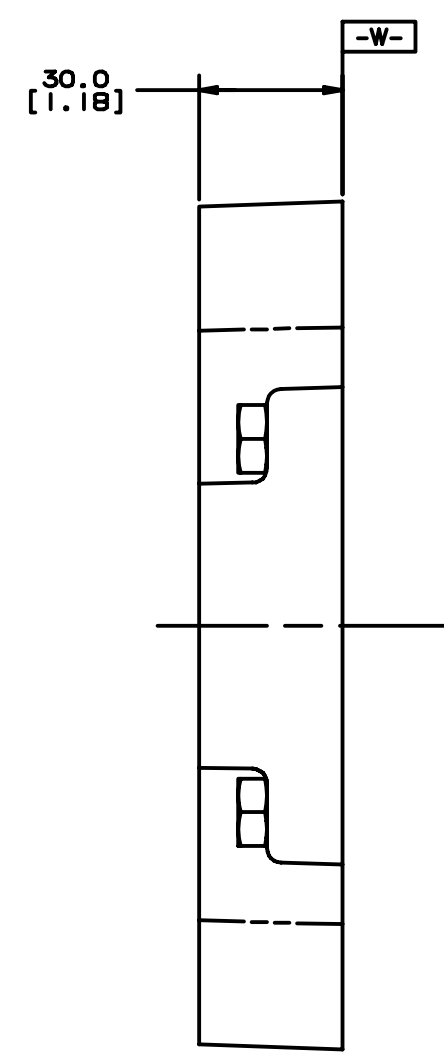
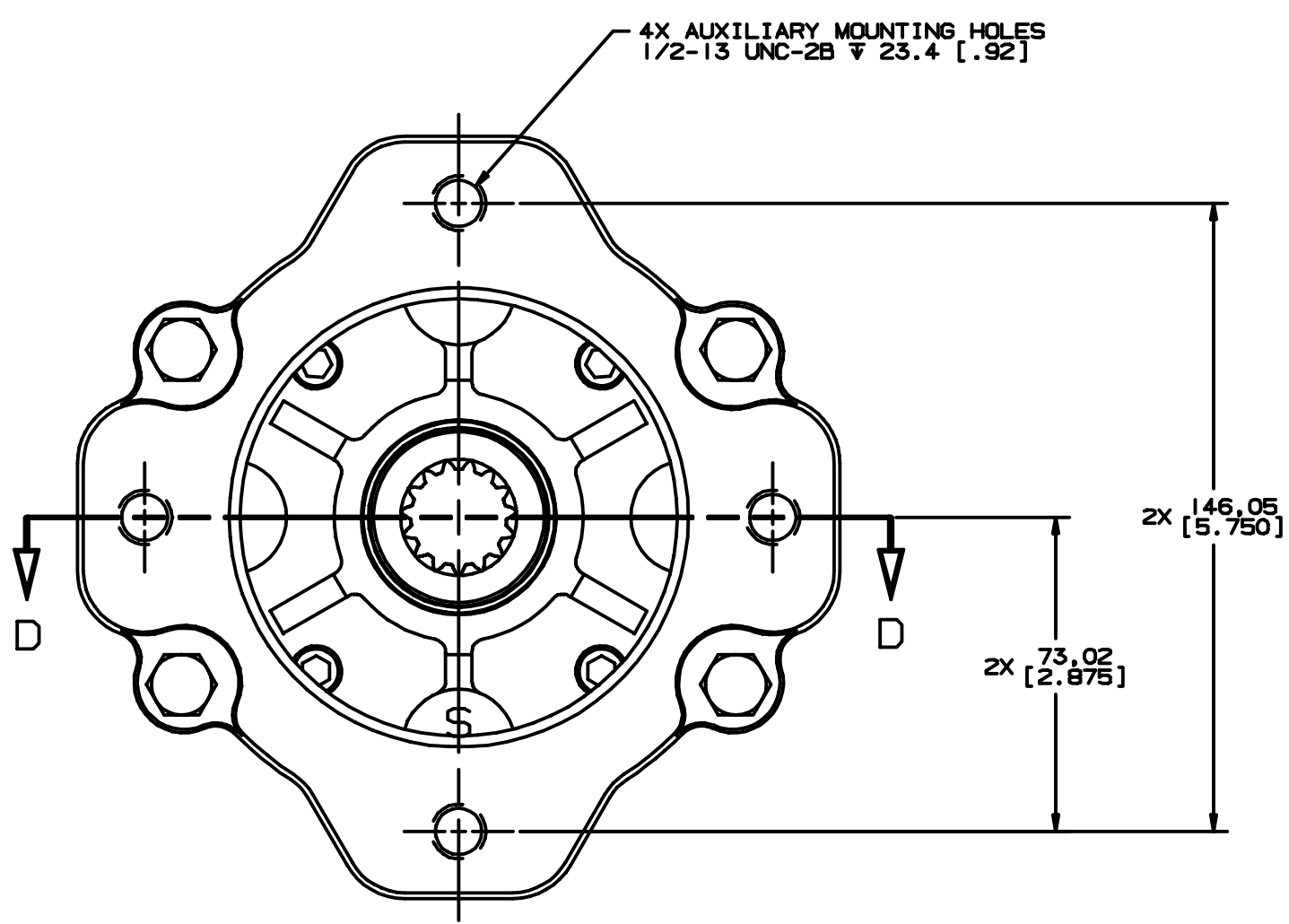


REV	DESCRIPTION	BY	CHK	DATE	ECN
A	ENGINEERING RELEASE	JED	MFM	3-31-97	M17119
B	(6D) WAS 45,3 [1.79]	EMR	JED	6-25-97	29738



SECTION D-D



NOTE
 1 AUXILIARY PAD DOES NOT HAVE A SHAFT SEAL. SPLINES ARE LUBRICATED. AUXILIARY PUMP MUST WITHSTAND A MAX CASE PRESSURE OF 200 lbf/in²

UNLESS OTHERWISE SPECIFIED ALL DIMENSIONS ARE IN INCHES <input type="checkbox"/> DECIMALS <input checked="" type="checkbox"/> MILLIMETERS (DIMES) TOLERANCES .X ± .005 .XX ± .003 .XXX ± .002 < ± .001 UNSPECIFIED RADIUS ARE .010 UNSPECIFIED CHAMFER ANGLES ARE 45° DRAWING FORMALLY CHECKED BY: [Signature]	DRAWING BASED ON ANSI Y14.5M-1982 THE REPRODUCTION, DISTRIBUTION, AND UTILIZATION OF THIS DOCUMENT, AS WELL AS THE COMMUNICATION OF ITS CONTENTS TO OTHERS WITHOUT EXPLICIT AUTHORIZATION IS PROHIBITED. OFFENDERS WILL BE HELD LIABLE FOR THE PAYMENT OF DAMAGES. ALL RIGHTS RESERVED IN THE EVENT OF THE GRANT OF A PATENT, UTILITY MODEL, OR DESIGN. (PER ISO 1606)		
	DATE: JED 4-2-97 DRAWN BY: MFM 4-3-97 CHECKED BY: MFM 4-3-97	MATERIAL/HWY TREAT: --- FILE: B-B PAD ADAPTER INSTALLATION NUMBER: A-995-003 SCALE: 1/1 SHEET: 1 OF 1	