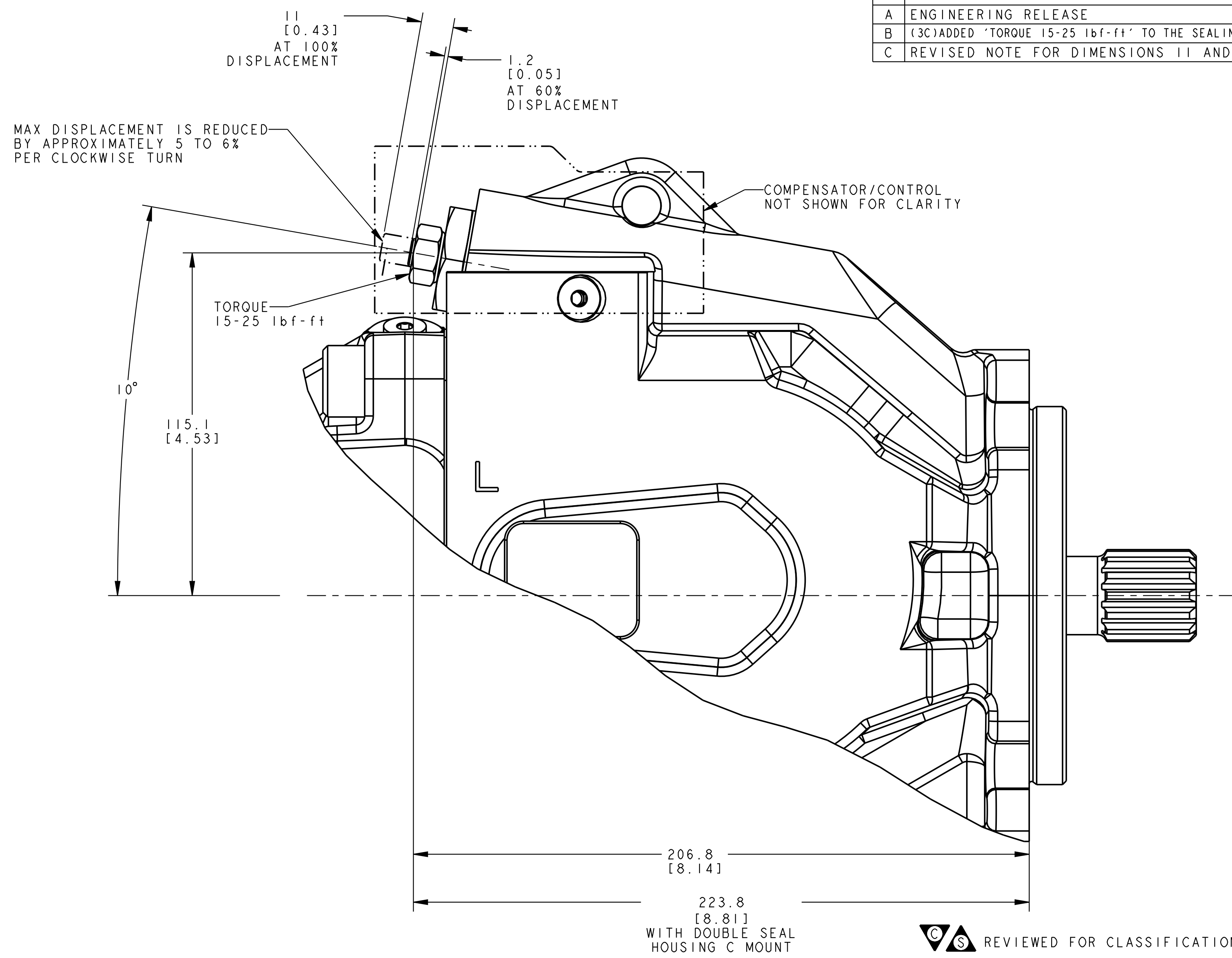


REV	DESCRIPTION	BY	CHK	DATE	ECN / MPS
A	ENGINEERING RELEASE	MKS	RLL	09/04/09	ECO-34767
B	(3C)ADDED 'TORQUE 15-25 lbf-ft' TO THE SEALING NUT	PK	SPV	05/24/11	0031955
C	REVISED NOTE FOR DIMENSIONS 11 AND 1.2	RLL	RLL	4-15-13	43159 ECR



REVIEWED FOR CLASSIFICATION PER ESP-042

UNLESS OTHERWISE SPECIFIED ALL DIMENSIONS ARE IN INCHES <input type="checkbox"/> INCHES <input checked="" type="checkbox"/> MILLIMETERS (INCHES) <b>TOLERANCES</b> .X ± ---- .XX ± ---- .XXX ± ---- < ± ---- UNSPECIFIED RADII ARE: ---- UNSPECIFIED DRAFT ANGLES ARE: ----° C SIZE	DRAWING BASED ON ANSI Y14.5M-1982		
	EATON CORPORATION - CONFIDENTIAL AND PROPRIETARY NOTICE TO PERSONS RECEIVING THIS DRAWING AND / OR TECHNICAL INFORMATION <small>THIS DOCUMENT, INCLUDING THE DRAWING AND INFORMATION CONTAINED THEREON, IS CONFIDENTIAL AND IS THE EXCLUSIVE PROPERTY OF EATON CORPORATION, AND IS MERELY ON LOAN AND SUBJECT TO RECALL BY EATON AT ANY TIME. BY TAKING POSSESSION OF THIS DOCUMENT, THE RECIPIENT ACKNOWLEDGES AND AGREES THAT THIS DOCUMENT CANNOT BE USED IN ANY MANNER ADVERSE TO THE INTERESTS OF EATON, AND THAT NO PORTION OF THIS DOCUMENT MAY BE COPIED OR OTHERWISE REPRODUCED WITHOUT THE PRIOR WRITTEN CONSENT OF EATON. IN THE CASE OF CONFLICTING CONTRACTUAL PROVISIONS, THIS NOTICE SHALL GOVERN THE STATUS OF THIS DOCUMENT.</small> COPYRIGHT 2008 EATON CORPORATION - ALL RIGHTS RESERVED.		
	DRAWN MKS BY/DATE 09/04/09 CHECKED RLL BY/DATE 09/04/09 ENGRG KSJ BY/DATE 09/04/09 METALLURGY ---- BY/DATE ----	MATERIAL/HEAT TREAT ---- TITLE EXT. MANUAL STROKE ADJ. INSTALL	
	THIRD ANGLE PROJECTION DO NOT SCALE	<input type="checkbox"/> MICROINCHES <input checked="" type="checkbox"/> MICROMETERS <input checked="" type="checkbox"/> ARITHMETICAL AVERAGE	NUMBER <b>A-3594-001</b> SCALE 1/1 SHEET 1 OF 1

