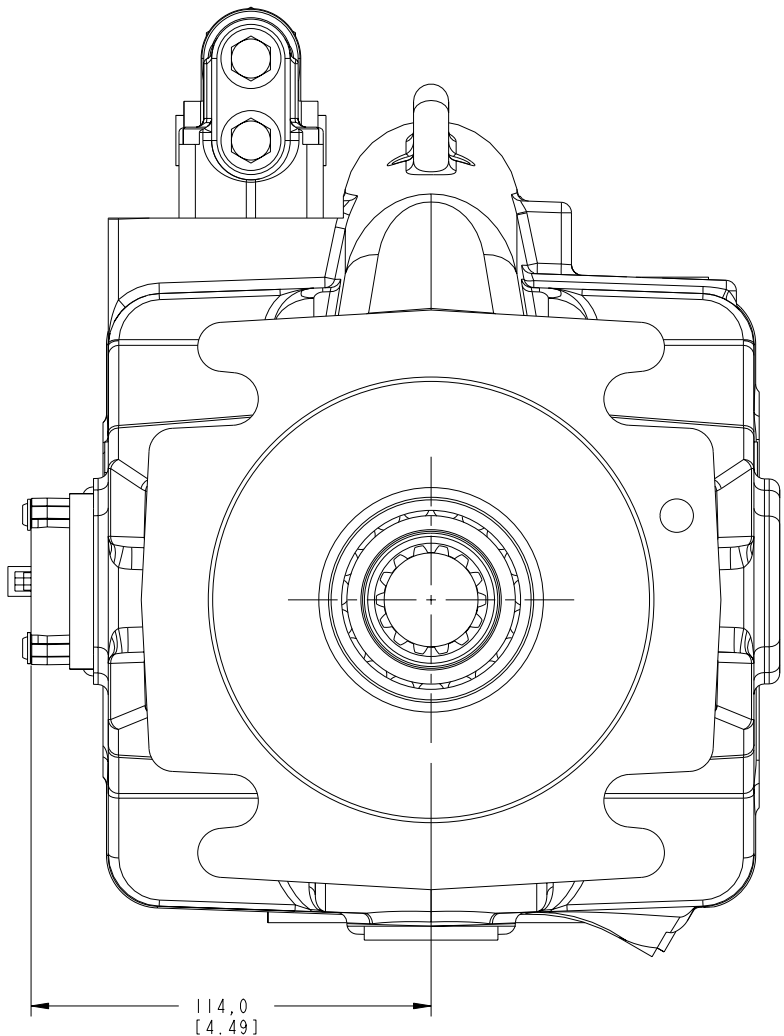
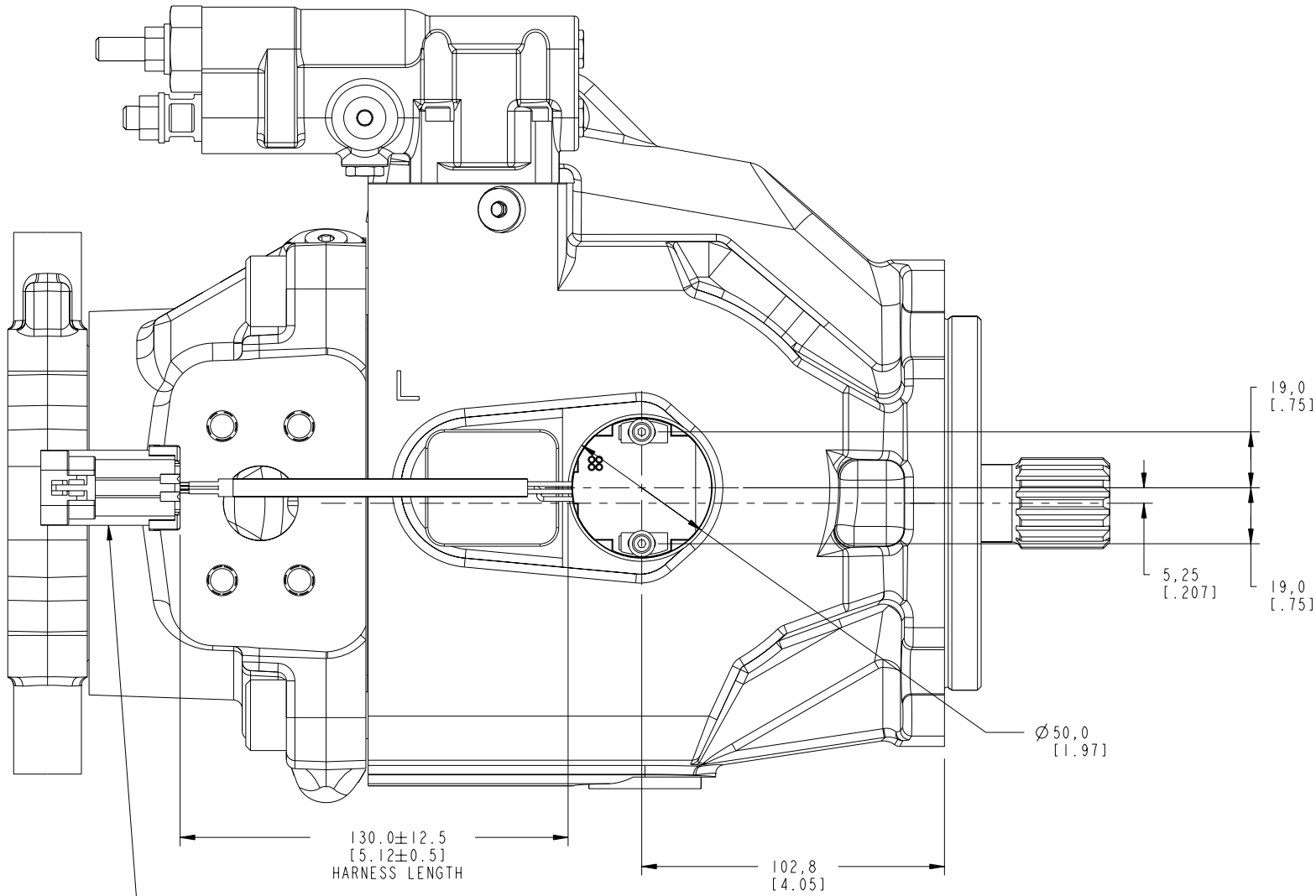


REV	DESCRIPTION	BY	CHK	DATE	ECN / MPS
A	ENGINEERING RELEASE	MKS	KSJ	8/25/09	ECO-34343



- DELPHI 3-PIN METRI PACK 150:
- PN 1212 9615 CONNECTOR 3-WAY QTY 1
- PN 1207 7628 PIN TERMINAL QTY 3
- PN 1204 8087 CABLE SEAL QTY 3
- PN 1205 2845 TPA QTY 1

CS REVIEWED FOR CLASSIFICATION PER ESP-042

UNLESS OTHERWISE SPECIFIED ALL DIMENSIONS ARE IN INCHES		DRAWING BASED ON ANSI Y14.5M-1982	
MILLIMETERS <input type="checkbox"/>		EATON CORPORATION - CONFIDENTIAL AND PROPRIETARY	
TOLERANCES		NOTICE TO PERSONS RECEIVING THIS DRAWING	
.X ± ----	BY/DATE 08-25-09	AND / OR TECHNICAL INFORMATION	
.XX ± ----	CHECKED KSJ	THIS DOCUMENT AND THE INFORMATION CONTAINED THEREIN IS CONFIDENTIAL AND IS THE EXCLUSIVE PROPERTY OF EATON CORPORATION AND IS NOT TO BE REPRODUCED OR DISCLOSED IN ANY MANNER WITHOUT THE WRITTEN PERMISSION OF EATON CORPORATION. THIS NOTICE SHALL APPEAR ON ALL COPIES OF THIS DOCUMENT.	
UNSPECIFIED RADII ARE:	ENGRG KSJ	Eaton Hydraulics Inc. 14615 Lone Oak Road Eden Prairie, MN 55344 USA	
UNSPECIFIED DRAFT ANGLES ARE:	BY/DATE 08-25-09	MATERIAL/HEAT TREAT	
THIRD ANGLE PROJECTION	METALLURGY --	620 98CC SWASH SENSOR INSTALLATION	
D SIZE	DO NOT SCALE	NUMBER	
	ARITHMETICAL AVERAGE	A-3592-001	
		SCALE 1/1 SHEET 1 OF 1	