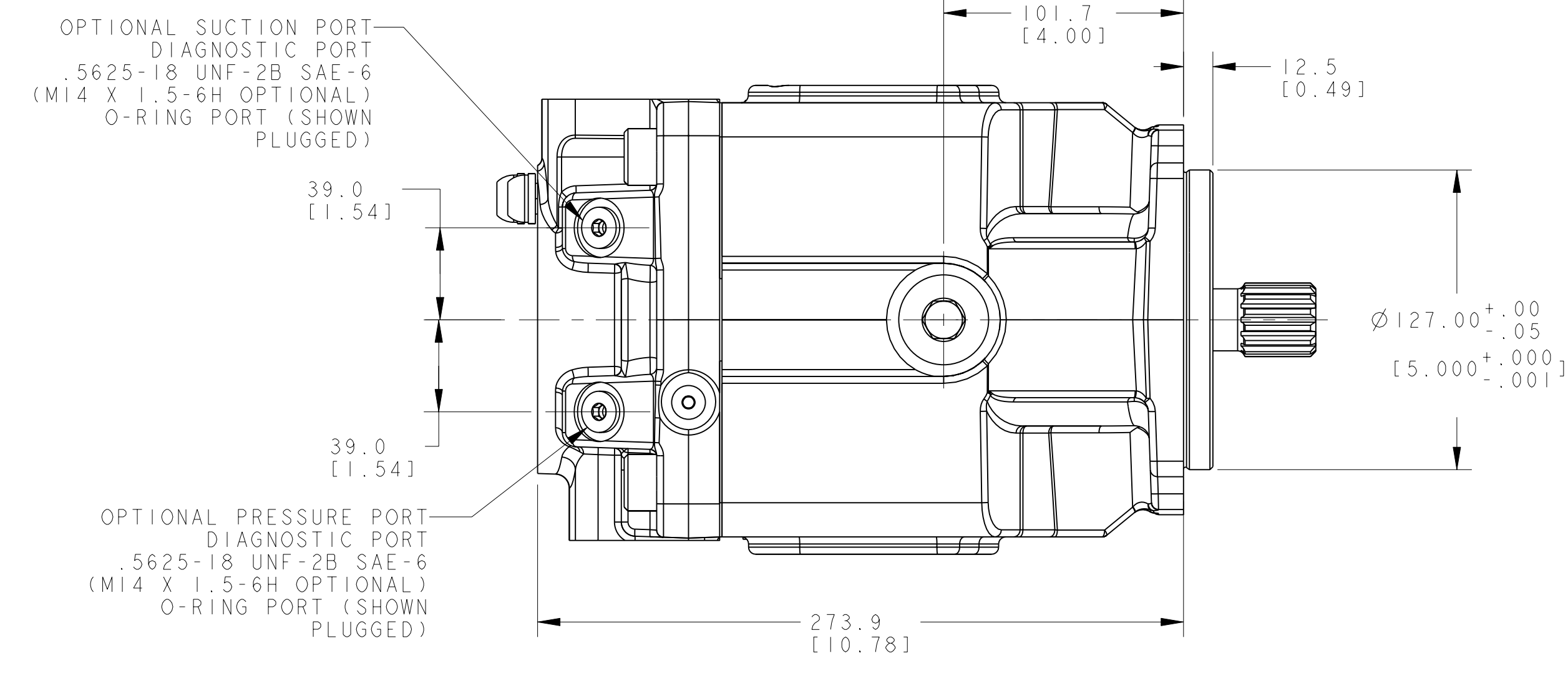
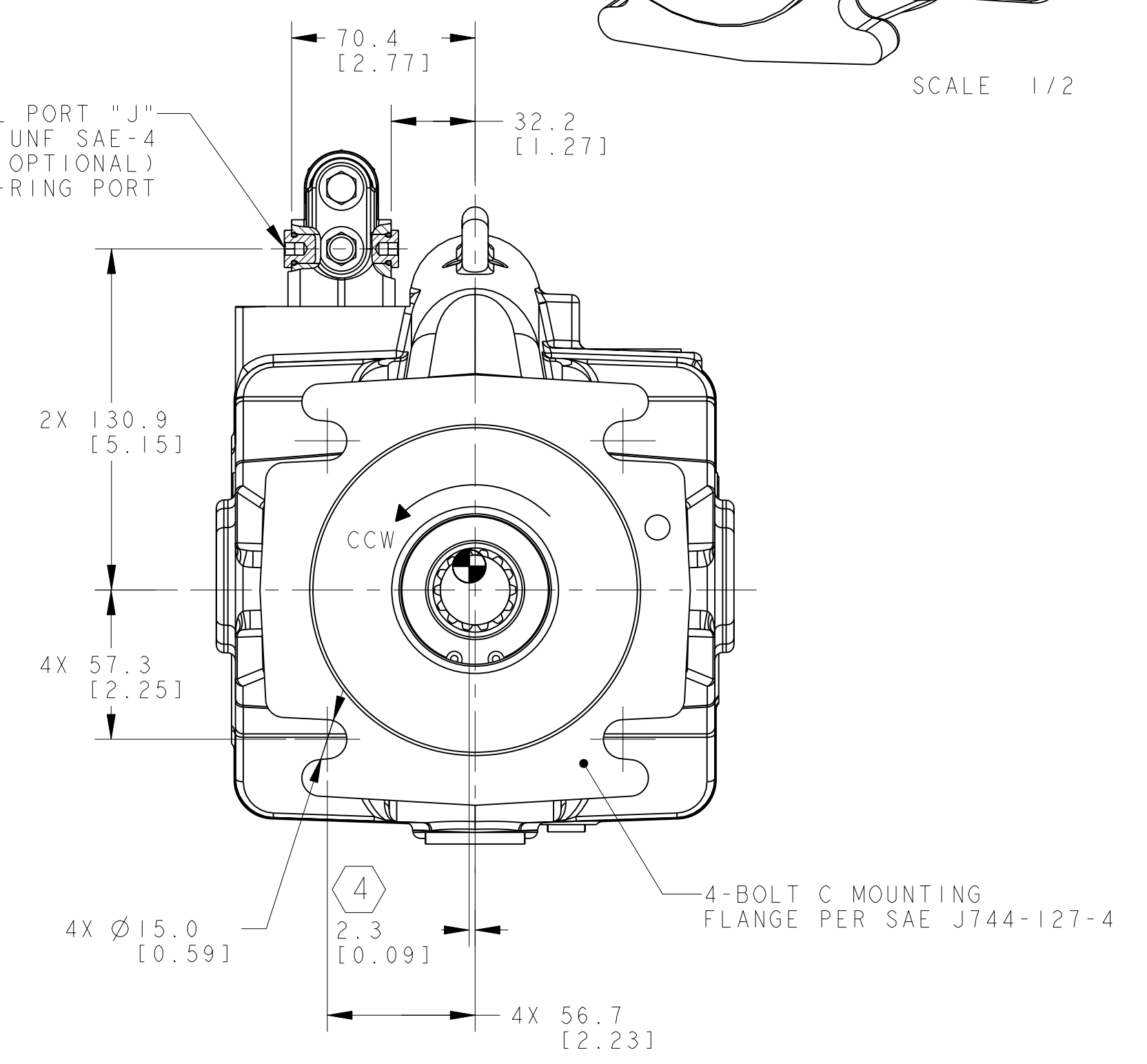
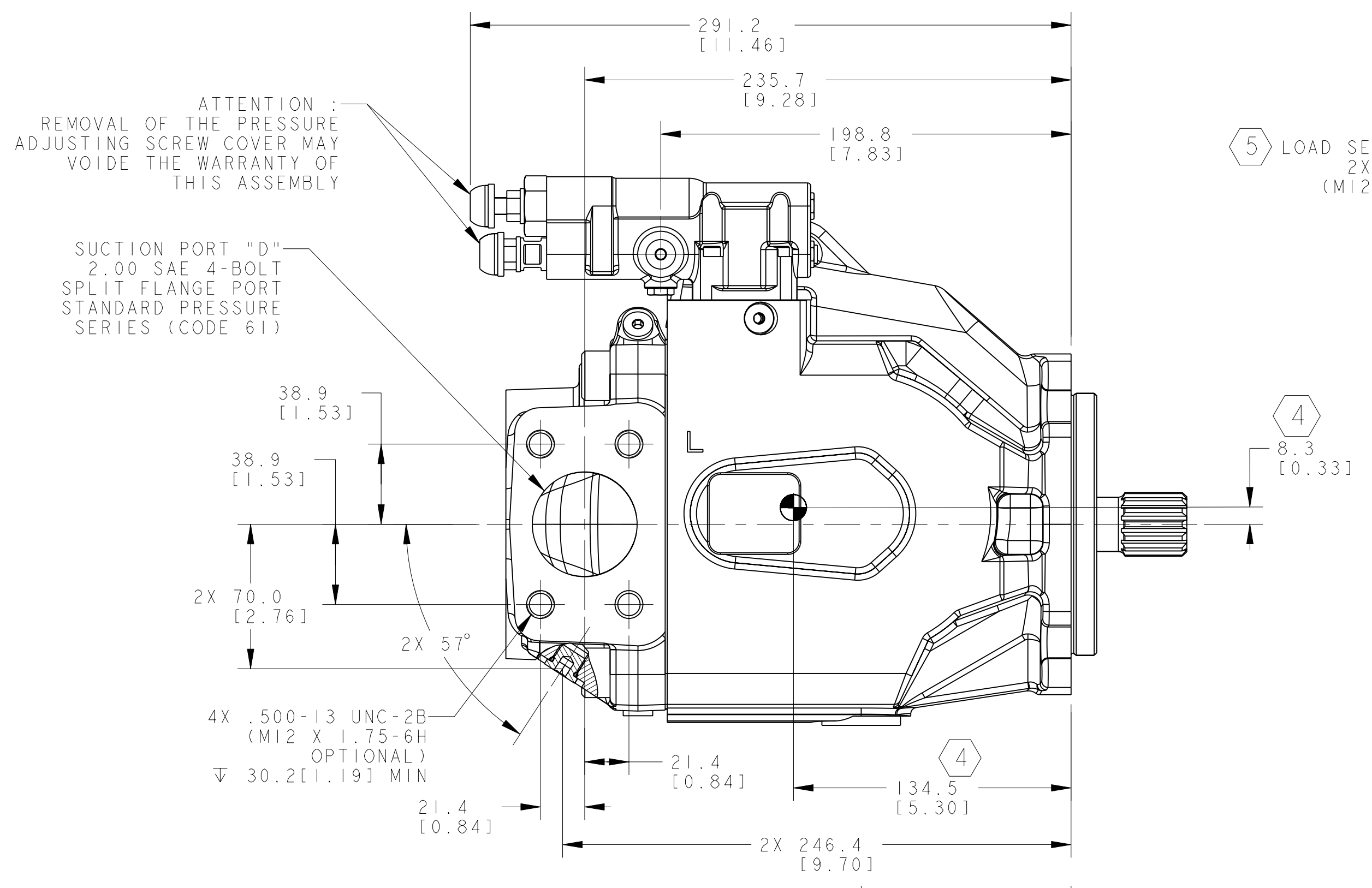
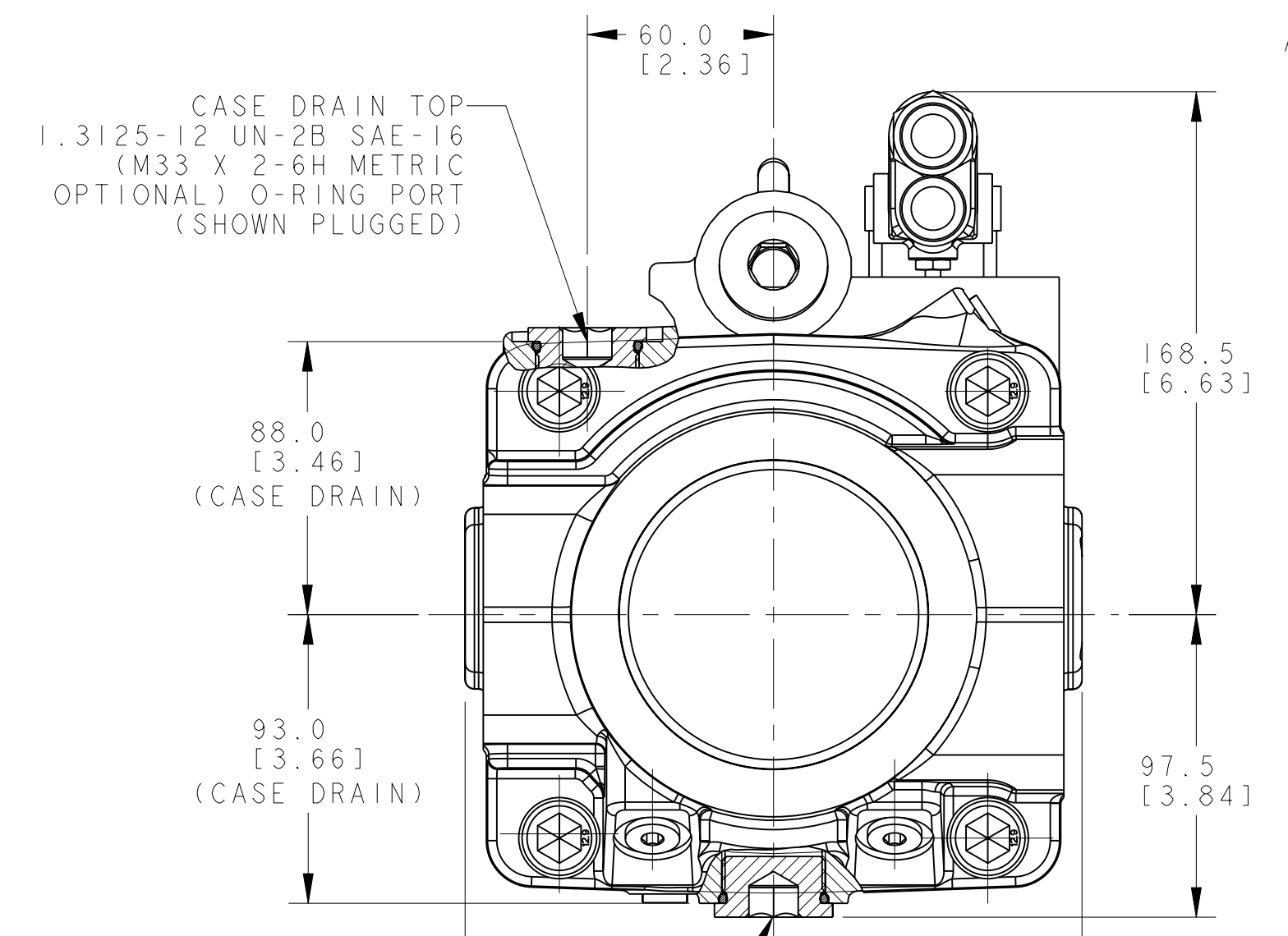
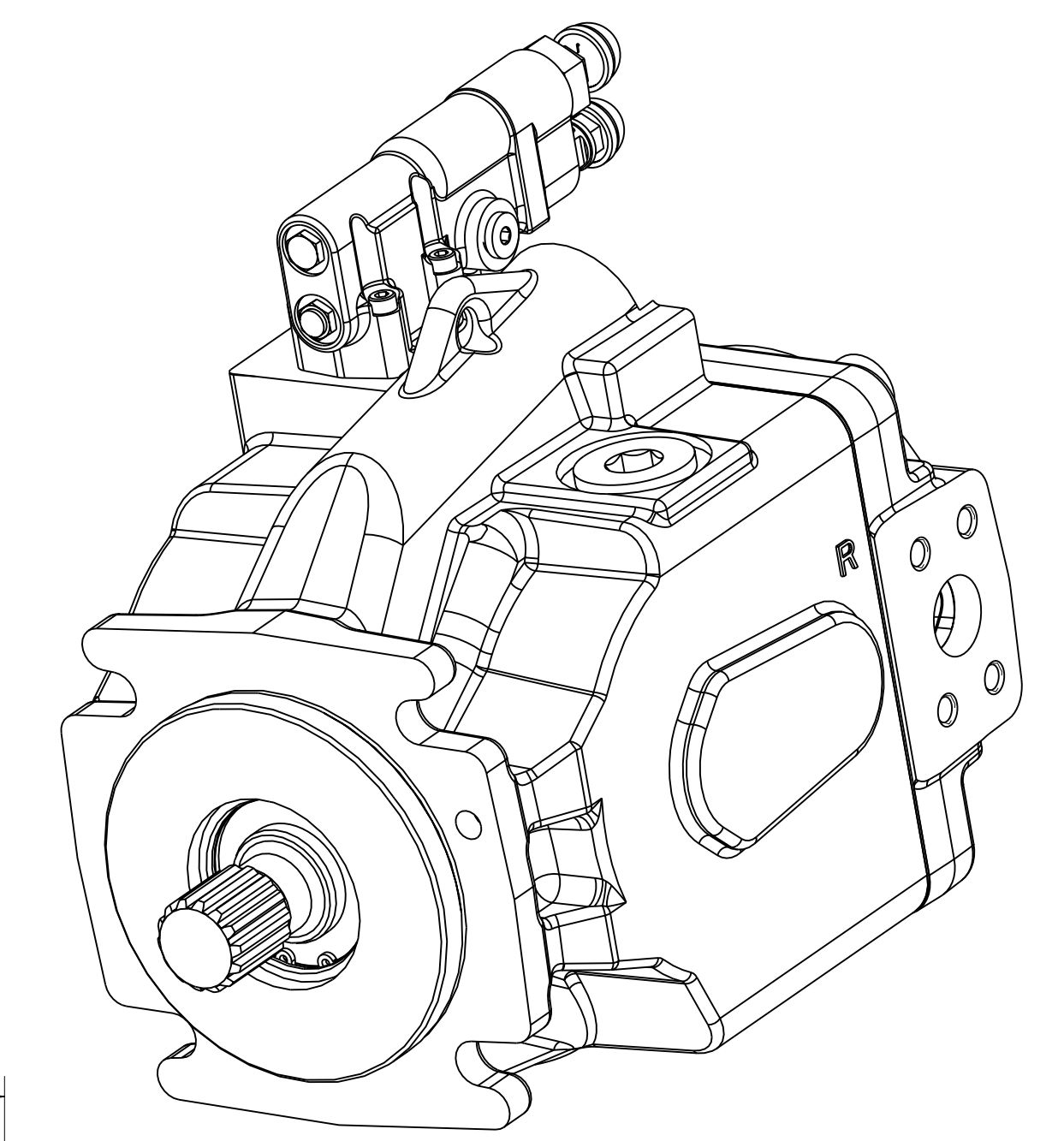
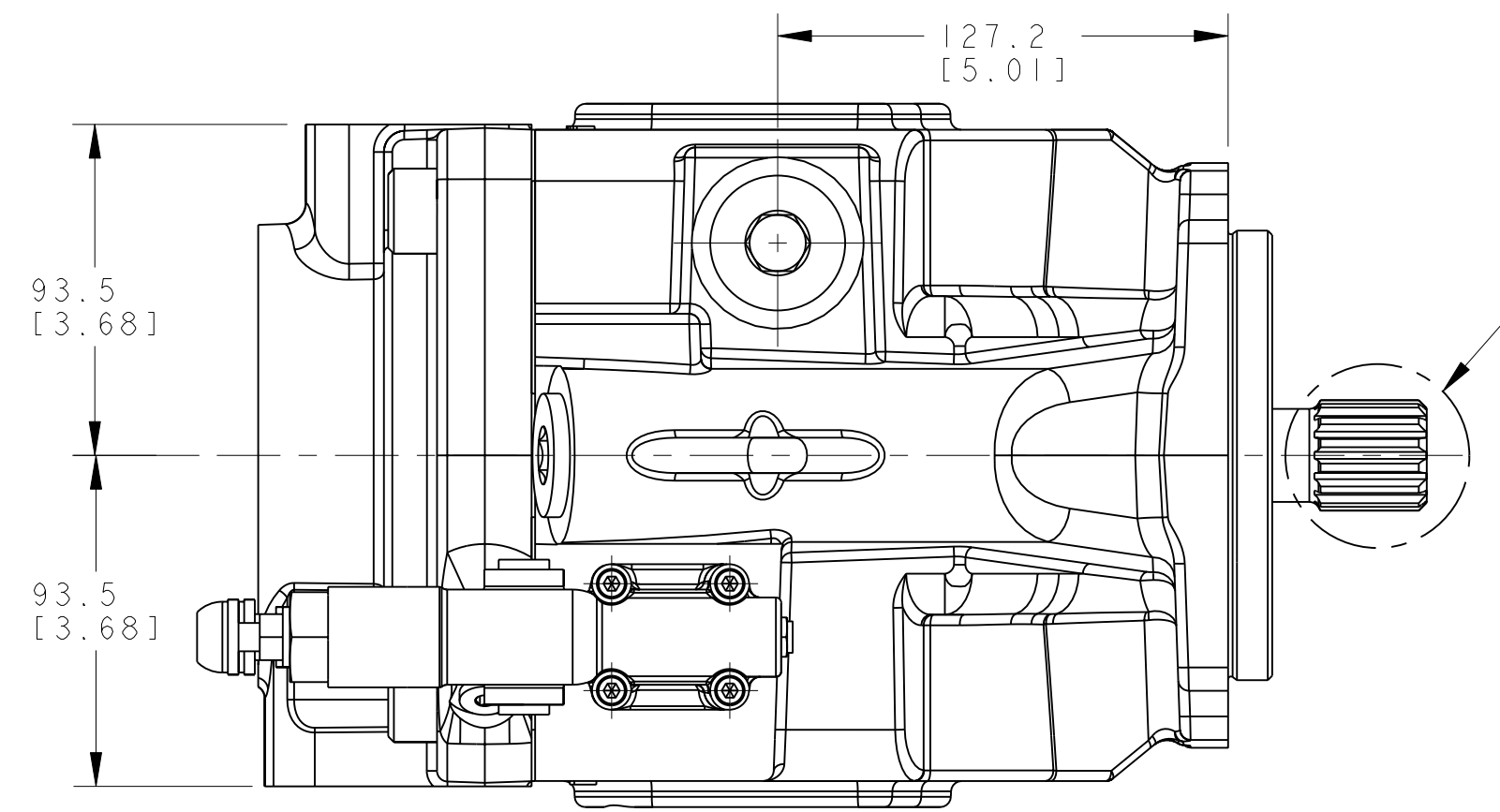
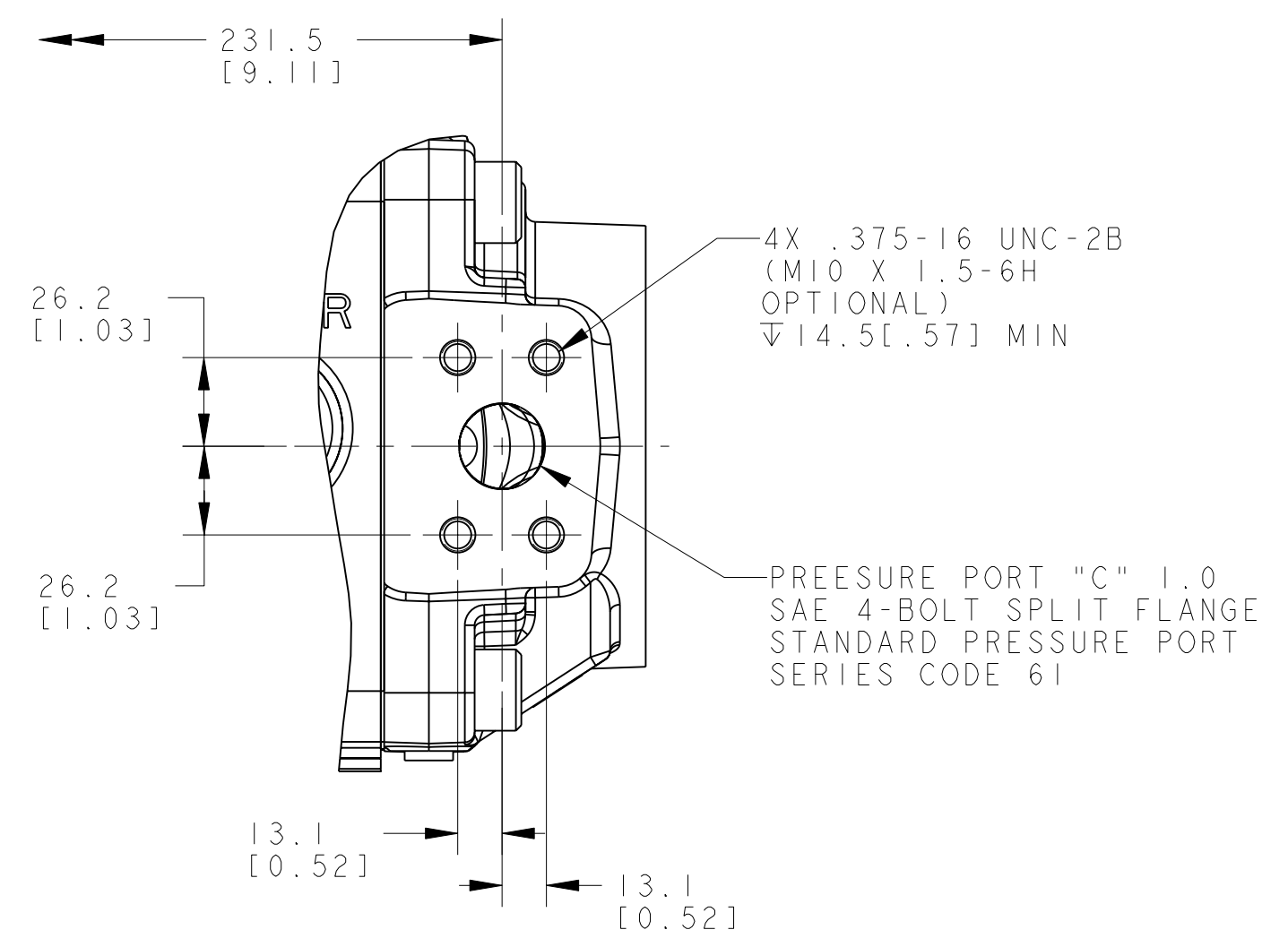


REV	DESCRIPTION	BY	CHK	DATE	ECN / MPS
A	ENGINEERING RELEASE	RL	RL	2-9-11	52829 ECO



- NOTE
- UNLESS OTHERWISE SPECIFIED ALL DIMENSIONS ARE NOMINAL
 - UNIT MUST BE INSTALLED IN SUCH A POSITION THAT CASE DRAIN ASSURES THE OIL LEVEL AT OR ABOVE UNIT CENTRELINE BEFORE STARTING
 - APPROXIMATE WEIGHT = 43.45 KG
- 4 DENOTES CENTER OF GRAVITY
- 5 PRESSURE DECAY RATE OF LOAD SENSE SIGNAL "J" SHOULD NOT EXCEED 1IKBAR/SEC

REVIEWED FOR CLASSIFICATION PER ESP-042

DRAWING BASED ON ASME Y14.5M-1994

EATON CORPORATION - CONFIDENTIAL AND PROPRIETARY NOTICE TO PERSONS RECEIVING THIS DRAWING AND / OR TECHNICAL INFORMATION

UNLESS OTHERWISE SPECIFIED ALL DIMENSIONS ARE IN INCHES MILL METERS

TOLERANCES

.X ±	----
.XX ± REF	----
.XXX ± ONLY	----
∠ ±	----

UNSPECIFIED RADIUS ARE: -----

METALLURGY BY/DATE -----

UNSPECIFIED DRAFT ANGLES ARE: -----

THIRD ANGLE PROJECTION

D SIZE DO NOT SCALE

MATERIAL/HEAT TREAT

TITLE

620 74CC INSTALLATION LH SIDE PORT

NUMBER

A-3710-004

SCALE 1/2 SHEET 1 OF 1