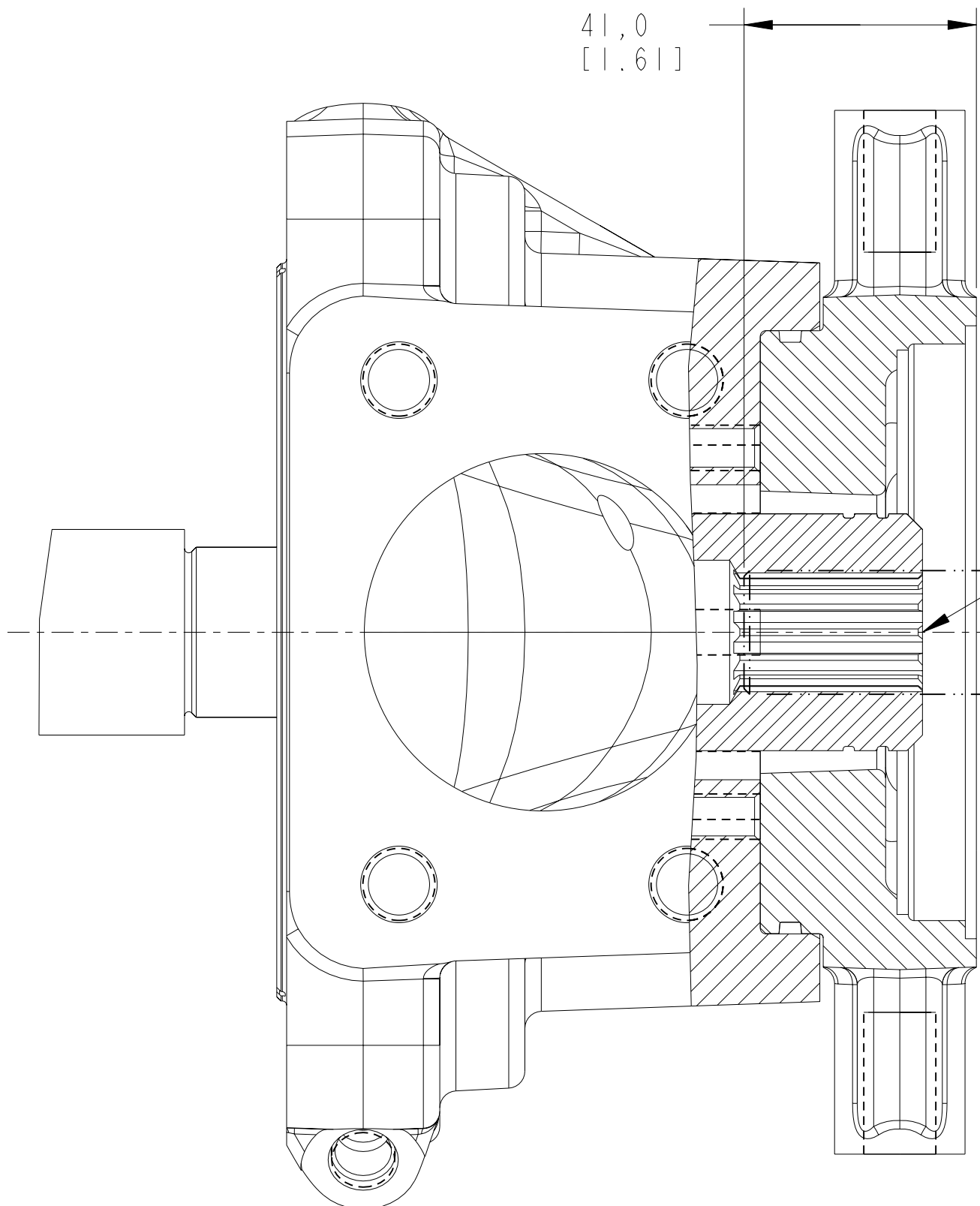


REV	DESCRIPTION	BY	CHK	DATE	ECN / MPS
A	RELEASE FOR SAMPLES AND ESTIMATES	EMR		2/03/03	M29924
B	ENGINEERING RELEASE	MKS	RLL	11/06/09	ECO-36956



REVIEWED FOR CLASSIFICATION PER ESP-042

DISTRIBUTION CODE(S)

UNLESS OTHERWISE SPECIFIED ALL DIMENSIONS ARE IN INCHES <input type="checkbox"/> MILLIMETERS (INCHES) <input checked="" type="checkbox"/>	DRAWING BASED ON ANSI Y14.5M-1982	
	THE REPRODUCTION, DISTRIBUTION, AND UTILIZATION OF THIS DOCUMENT, AS WELL AS THE COMMUNICATION OF ITS CONTENTS TO OTHERS WITHOUT EXPLICIT AUTHORIZATION IS PROHIBITED. OFFENDERS WILL BE HELD LIABLE FOR THE PAYMENT OF DAMAGES. ALL RIGHTS RESERVED IN THE EVENT OF THE GRANT OF A PATENT, UTILITY MODEL, OR DESIGN. (PER ISO 16016)	
TOLERANCES .X ± --- .XX ± --- .XXX ± --- < ± ---	DRAWN EMR BY/DATE 5/17/04 CHECKED : BY/DATE : ENGRG : BY/DATE : METALLURGY : BY/DATE :	MATERIAL/HEAT TREAT : : TITLE OUTPUT SHAFT INSTALLATION, 620
UNSPECIFIED RADII ARE: ----	<input checked="" type="checkbox"/> MICROINCHES <input type="checkbox"/> MICROMETERS (MICROINCHES) <input checked="" type="checkbox"/> ARITHMETICAL AVERAGE	NUMBER A-2494-003 SCALE 1/1 SHEET 1 OF 1
UNSPECIFIED DRAFT ANGLES ARE: ----° B SIZE	<input checked="" type="checkbox"/> THIRD ANGLE PROJECTION <input type="checkbox"/> DO NOT SCALE	

