

WEATHERHEAD PART NUMBER	AEROQUIP PART NUMBER	TH'D "P"	A REF	B REF	C REF	D REF	E REF	F REF	G REF	H REF	K ±0.25 [±.010]
10004B-102	4738-2-4B	1/8-27	36.8 [1.45]	7.6 [.30]	10.2 [.40]	4.8 [.19]	17.8 [.70]	4.3 [.17]	4.3 [.17]	7/16	17.5 [.689]
10004B-104	4738-4-4B	1/4-18	41.4 [1.63]	7.6 [.30]	14.7 [.58]	4.8 [.19]	22.4 [.88]	4.3 [.17]	4.3 [.17]	9/16	17.5 [.689]
10005B-102	4738-2-5B	1/8-27	37.8 [1.49]	7.4 [.29]	10.2 [.40]	4.6 [.18]	17.3 [.68]	4.3 [.17]	6.1 [.24]	1/2	18.5 [.730]
10005B-104	4738-4-5B	1/4-18	42.9 [1.69]	7.6 [.30]	14.7 [.58]	4.8 [.19]	22.4 [.88]	4.3 [.17]	6.1 [.24]	9/16	18.5 [.730]
10006B-102	4738-2-6B	1/8-27	39.9 [1.57]	7.9 [.31]	10.2 [.40]	5.1 [.20]	18 [.71]	4.3 [.17]	7.6 [.30]	9/16	22 [.866]
10006B-104	4738-4-6B	1/4-18	45.7 [1.80]	9.1 [.36]	14.7 [.58]	6.4 [.25]	23.9 [.94]	4.3 [.17]	7.6 [.30]	9/16	22 [.866]
10004B-106	4738-6-4B	3/8-18	42.9 [1.69]	9.1 [.36]	14.7 [.58]	6.4 [.25]	23.9 [.94]	4.3 [.17]	4.3 [.17]	11/16	17.5 [.689]
10006B-106	4738-6-6B	3/8-18	45.7 [1.80]	9.1 [.36]	14.7 [.58]	6.4 [.25]	23.9 [.94]	4.3 [.17]	7.6 [.30]	11/16	22 [.866]
10008B-106	4738-6-8B	3/8-18	49.5 [1.95]	9.1 [.36]	14.7 [.58]	6.4 [.25]	23.9 [.94]	4.3 [.17]	9.9 [.39]	3/4	24.9 [.980]
10008B-108	4738-8-8B	1/2-14	55.9 [2.20]	10.7 [.42]	19.3 [.76]	7.9 [.31]	30.2 [1.19]	4.3 [.17]	9.9 [.39]	7/8	24.9 [.980]
10010B-108	4738-8-10B	1/2-14	69.3 [2.73]	10.7 [.42]	19.3 [.76]	7.9 [.31]	30.2 [1.19]	4.3 [.17]	12.2 [.48]	7/8	29.4 [1.156]
10012B-112	4738-12-12B	3/4-14	70.4 [2.77]	12.4 [.49]	19.3 [.76]	9.7 [.38]	31.8 [1.25]	4.3 [.17]	15.5 [.61]	1 1/16	32.6 [1.283]
10016B-116	4738-16-16B	1-11 1/2	78.2 [3.08]	12.4 [.49]	24.4 [.96]	9.7 [.38]	36.8 [1.45]	4.3 [.17]	21.6 [.85]	1 3/8	38.2 [1.504]

REVISIONS			
REV	DESCRIPTION	DATE	APPROVED
AS	REDRAWN AND REDESIGNED UPDATED TO EATON FORMAT & DIMENSION STYLE. 1) ADDED WEATHERHEAD PART NUMBER COLUMN. 2) ADDED PARTS #4738-16-16B, #4738-2-6B, #4738-4-5B & #4738-2-5B. 3) REMOVED PART #4738-16-12B	2014-06-19 KRC/VPC	0098002-ECO

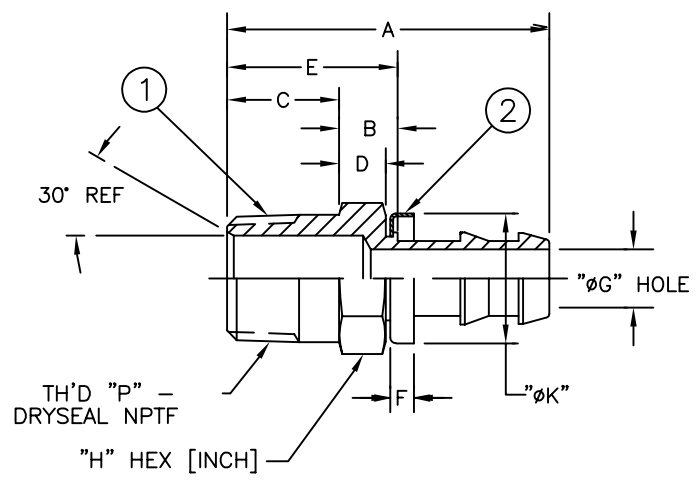
AS 2
AS 2
AS 2

METRIC

AS 1 AS 2 AS 3

10016B-116	4738-16-16B	10016B-B00116	FF91126-16
10012B-112	4738-12-12B	FW1919-1212B	FF91126-12
10010B-108	4738-8-10B	FW1919-0810B	FF91126-10
10008B-108	4738-8-8B	FW1919-0808B	FF91126-8
10008B-106	4738-6-8B	FW1919-0608B	FF91126-8
10006B-106	4738-6-6B	FW1919-0606B	FF91126-6
10004B-106	4738-6-4B	FW1919-0604B	FF91126-4
10006B-104	4738-4-6B	FW1919-0406B	FF91126-6
10006B-102	4738-2-6B	FW1919-0206B	FF91126-6
10005B-104	4738-4-5B	FW1919-0405B	FF91126-5
10005B-102	4738-2-5B	FW1919-0205B	FF91126-5
10004B-104	4738-4-4B	FW1919-0404B	FF91126-4
10004B-102	4738-2-4B	FW1919-0204B	FF91126-4
WEATHERHEAD PART NUMBER	AEROQUIP PART NUMBER	① NIPPLE	② HOSE CAP

AS 1 AS 2



1. DIMENSIONS ARE IN MILLIMETERS [INCHES].

LIST OF MATERIALS			
ITEM NO.	MATERIAL	DRAWN	INDUSTRIAL SECTOR
1	BRASS	K. CHAVAN	EATON HYDRAULICS GROUP, FLUID CONVEYANCE PRODUCTS, MAUMEE, OHIO U.S.A.
2	SANTOPRENE-BLUE	V. CHOUDHARI	
		CHECKED	DRAWING TITLE FITTING ASSEMBLY MALE PIPE, 2556 HOSE
		APPROVED	
		Y. KULKARNI	SIZE
		RELEASE DATE	DRAWING NUMBER
		2014-06-19	A2
		0098002	REV
			AS
		THIRD ANGLE PROJECTION	SCALE
			NONE
			DIST
			U
			CAGE CODE
			01276
			SHEET
			1

EATON CORPORATION - CONFIDENTIAL AND PROPRIETARY NOTICE TO PERSONS RECEIVING THIS DOCUMENT AND/OR TECHNICAL INFORMATION THIS DOCUMENT, INCLUDING THE DRAWING AND INFORMATION CONTAINED THEREON, IS CONFIDENTIAL AND IS THE EXCLUSIVE PROPERTY OF EATON CORPORATION, AND IS HEREBY LOANED AND SUBJECT TO REGAL BY EATON CORPORATION. NO PART OF THIS DOCUMENT, INCLUDING THE DRAWING AND INFORMATION CONTAINED THEREON, SHALL BE REPRODUCED OR TRANSMITTED IN ANY FORM OR BY ANY MEANS, ELECTRONIC OR MECHANICAL, INCLUDING PHOTOCOPYING, RECORDING, OR BY ANY INFORMATION STORAGE AND RETRIEVAL SYSTEM, WITHOUT THE PRIOR WRITTEN CONSENT OF EATON. IN THE CASE OF CONFLICTING CONTRACTUAL PROVISIONS, THIS NOTICE SHALL GOVERN THE STATUS OF THIS DOCUMENT. © 2009 Eaton Corporation - All Rights Reserved.